

1.0 Megapixel Day/Night 20x HD PTZ Pendant Dome Camera



Avigilon's end-to-end surveillance solutions deliver image detail no other system can match. Avigilon Control Center software, featuring High-Definition Stream Management™ (HDSM™) technology combined with our broad range of megapixel cameras (from 1 MP to 29 MP) provide unprecedented clarity—while effectively managing storage and bandwidth requirements. Our components are scalable and can work together in an end-to-end system, or can be customized to create your own powerful and cost-effective solution.

The innovative HD PTZ camera is just one way Avigilon can help provide the very best monitoring and protection.



The HD PTZ camera offers unsurpassed image quality with precise positioning and predictable high-speed tracking. Underpinned by the H3 platform, the HD PTZ camera takes advantage of enhanced High-Definition Stream Management™ technology which lowers bandwidth and storage requirements, and provides incredible low light performance. The camera features a 20x optical zoom with up to 12x digital zoom, and provides continuous 360° degree rotation at up to 450° per second. This indoor and outdoor mounted camera is targeted specifically at expansive areas with manned operations, such as large retail chains, airports, petrochemical, casinos and city surveillance.

*Mount sold separately (MNT-PEND-WALL)

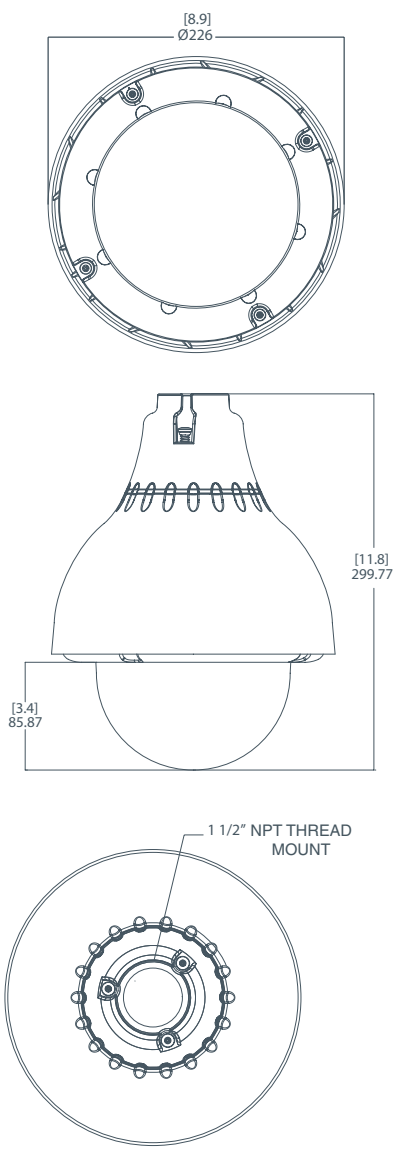
KEY FEATURES

- 1.0 megapixel progressive scan CMOS sensor
- Easily track targets with 360 degree endless rotation
- Able to move at up to 450 degrees per second
- 4.7 - 94mm, F1.6 lens with 20x zoom
- Provides smooth operation and captures fluid motion at 30 frames per second
- 0.4 lux (F1.6) minimum illumination in color mode and 0.04 lux (F1.6) minimum illumination in monochrome mode
- H.264 and Motion JPEG compression
- ONVIF compliant API
- Hide sensitive areas with 3D privacy mask
- Automatic exposure control and iris control
- Automatic removable IR cut filter for IR sensitivity at night
- Power over Ethernet, 24 VAC or 24 VDC power input
- Supports broad environmental conditions for challenging outdoor installations
- External microphone and speaker support for two-way audio
- External I/O interface for connecting alarms and relays

Specifications

CAMERA	Image Sensor	WDR 1/2.8" progressive scan CMOS			
	Active Pixels	1280 (H) x 720 (V)			
	Imaging Area	4.8 mm (H) x 2.7 mm (V) (0.189" (H) x 0.106" (V))			
	Minimum Illumination	0.4 lux (F1.6) in color mode; 0.04 lux (F1.6) in monochrome mode			
	Dynamic Range	100dB			
	Lens	4.7-94 mm, 20x zoom, F1.6 and automatic focus			
	Angle of View	2.9° - 55.2°			
	Image Compression Method	H.264 (MPEG-4 Part 10/AVC), Motion JPEG			
	Image Rate	30 (all resolutions)			
	Streaming	Multi-stream H.264 and Motion JPEG			
	Resolution Scaling	Down to 352 x 240			
	Motion Detection	Selectable sensitivity and threshold			
	Electronic Shutter Control	Automatic, Manual (1/6 to 1/8000 sec)			
	Iris Control	Automatic, Manual			
	Day/Night Control	Automatic, Manual			
	Flicker Control	50 Hz, 60 Hz			
	White Balance	Automatic, Manual			
	Privacy Zones	Up to 4 zones, 3D privacy mask supported			
	Presets	100 named presets			
	Tours	10 named guard tours			
	Audio Compression Method	G.711 PCM 8 kHz			
	Audio Input	Line input			
	Audio Output	Line level			
Video Output	NTSC/PAL				
External I/O Terminals	2 Alarm In, 2 Alarm Out				
NETWORK	Network	100BASE-TX			
	Cabling Type	CAT5			
	Connector	RJ-45			
	API	ONVIF compliant (www.onvif.org)			
	Security	Password protection, HTTPS encryption, digest authentication, WS authentication, user access log.			
	Protocol	IPv4, HTTP, HTTPS, SOAP, DNS, NTP, RTSP, RTCP, RTP, TCP, UDP, IGMP, ICMP, DHCP, Zeroconf, ARP			
	Streaming Protocols	RTP/UDP, RTP/UDP multicast, RTP/RTSP/TCP, RTP/RTSP/HTTP/TCP, RTP/RTSP/HTTP/TCP, HTTP			
	MECHANICAL	Dimensions (ØxH)	226 mm x 299.77 mm (8.9" x 11.8")		
		Weight	3.9 kg (8.6 lbs)		
		Dome Bubble	Acrylic, clear		
Body		Aluminum			
Housing		Pendant mount			
Finish		Powder coat, cool gray 2			
Tilt		186°, E-flip, 0.05 - 360°/sec			
Pan		360°, endless, 0.05 - 450°/sec			
ELECTRICAL	Power Source	VDC: 24 V	PoE: IEEE 802.3at Class 4 PoE Plus compliant		
		VAC: 24 V			
	Power Consumption	25 W with IEEE 802.3at Class 4 PoE Plus 44 W with external power			
Power Connector	Waterproof 2-pin connector				
ENVIRONMENTAL	Operating Temperature	-30 °C to + 50 °C (-22 °F to 122 °F) with IEEE 802.3at Class 4 PoE Plus power -45 °C to + 50 °C (-50 °F to 122 °F) with external power			
	Storage Temperature	-10 °C to +70 °C (14 °F to 158 °F)			
	Humidity	20 - 80% Relative humidity (non-condensing)			
CERTIFICATIONS	Safety	UL 60950	CVV		
		CSA 60950	C-Tick		
		CB Scheme			
	Environment	IK09 Impact Rating	Meets IP66 Weather Rating		
	Electromagnetic Emission	FCC Part 15 Subpart B Class B IC ICES-003 Class B	EN 55022 Class B		
Electromagnetic Immunity	EN 55024 Class B	EN 61000-4-4	EN 61000-4-11		
	EN 61000-4-2	EN 61000-4-5			
	EN 61000-4-3	EN 61000-4-6			
ORDERING INFORMATION	1.0W-H3PTZ-DP20	1.0 Megapixel Day/Night 20x HD PTZ Pendant Dome Camera			
	MNT-PEND-WALL	Indoor/Outdoor Pendant Mount Bracket			
	H3PTZ-DP-SMOKE	Dome Camera Cover with Smoked Bubble			

Outline Dimensions



[X.X]	INCHES
X	MM