



# WZ16 Integrated Day/Night High-res Bullet Camera



- ▶ SuperHAD 1/3 in CCD, 520 TVL
- ▶ 18 m (59 ft) night vision in zero lux
- ▶ Mechanical lens filter for 24/7 performance
- ▶ 3.8 to 9.5 mm varifocal lens
- ▶ Compact, all-weather housing

The WZ16 provides reliable day and night surveillance in a compact, water resistant design that integrates 18 infrared LEDs for 18 m (59 ft) of IR-cut filtered night vision.

Incorporating a SuperHAD 1/3 in CCD, the WZ16 delivers 520 TVL color imaging during day and 18 m (59 ft) of active-infrared night vision under zero lux.

The WZ16 also features a mechanical IR-cut lens filter for accurate daytime color and exceptional performance under infrared. Mechanical filter technology minimizes IR bleed and prevents focus shift from daytime to night-time modes.

The WZ16 uses 18 photocell-controlled infrared LEDs to deliver up to 18 m (59 ft) of night vision for effective 24/7 performance. Photocell-controlled LEDs ensure accurate on/off switching and help increase energy efficiency.

The WZ16 includes a versatile mounting bracket suitable for walls, surfaces and ceilings, as well as a sun hood. Constructed of extruded aluminum, the WZ16 is compact and discreet, featuring an anodized silver finish.

The WZ16 is a quick and easy Plug-and-Play solution for 24/7 day and night surveillance.

## Functions

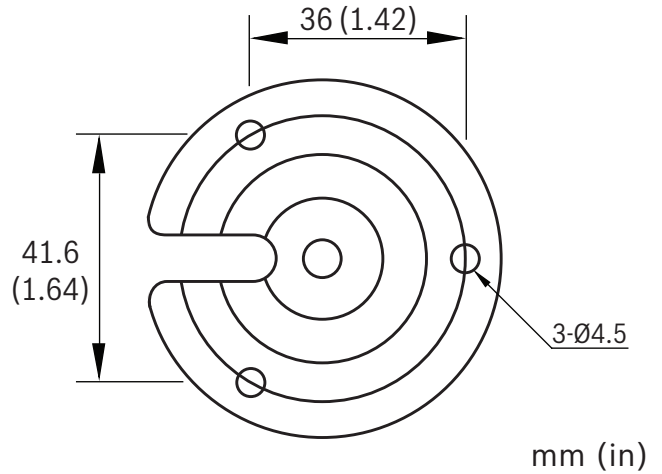
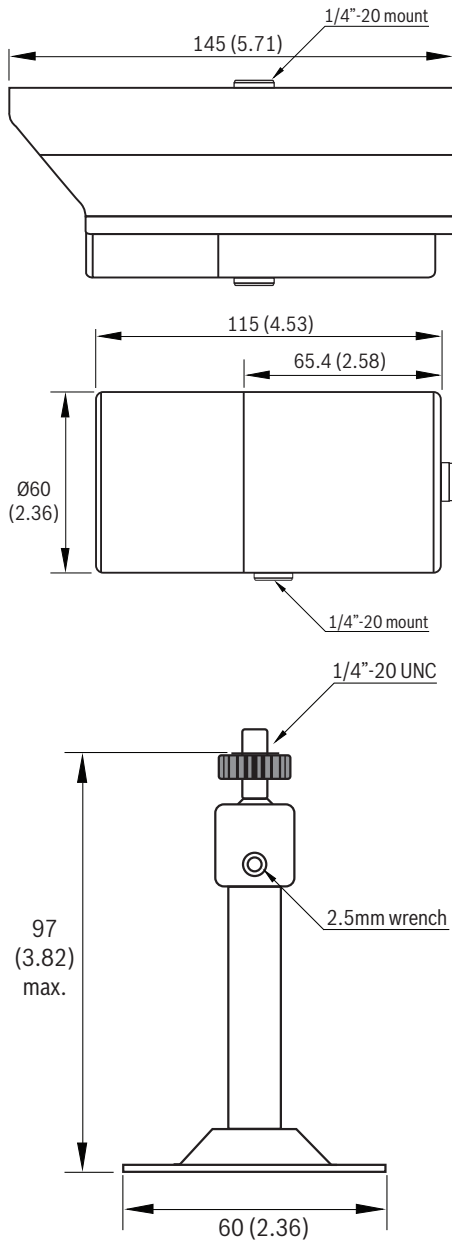
### Applications

- Industrial sites
- Casinos
- Warehouses
- Service stations
- Commercial
- Parking lots
- Retail
- Perimeters
- Transportation hubs
- Ports
- Residential
- Hotels and nightclubs
- Schools and colleges

## Certifications and Approvals

Region	Certification
Europe	CE

**Installation/Configuration Notes**



**Technical Specifications**

**Video**

Signal Processing	Digital signal processing (DSP)
CCD Camera	1/3 in SuperHAD CCD
Filter	IR-Cut, lens mounted
Resolution	High resolution 520 TVL
Effective Pixels (H x V)	PAL: 752 x 582, NTSC: 768 x 494
Night-Time Sensitivity	0 lux (infrared on)
Electronics Iris	1/50 to 1/100,000 s (PAL), 1/60 to 1/100,000 s (NTSC)
Output Signal	1 VPP composite video, 75 ohm
S/N Ratio	Greater than 48 dB
Gamma	0.45
Lens	Varifocal 3.8 to 9.5 mm, DC auto-iris
LEDs	Infrared array, photocell-controlled
Wavelength	850 nm
Number of LEDs	18

**Electrical**

Voltage	12 to 24 VDC or VAC
Power Draw	6 W Max.
Power Supply	Not included

**Mechanical**

Construction	Robust aluminum extrusion
Finish	Anodized silver
Sunshield	Included as standard
Bracket	Pan-tilt bracket included as standard
Weight	0.56 kg (1.2 lb)
Dimensions	$\varnothing 60 \times 145$ (L) mm (2.4 x 5.7 in)

**Environmental**

Operation Temperature Range    -30 °C to +55 °C (-22 °F to +131 °F)

Environment                            IP67 compliant

**Ordering Information**

**WZ16NV408-0 IDN High-res Bullet Camera**    **WZ16NV408-0**  
 IDN bullet cam, 520TVL, SuperHAD, color switching to bw, lens filter, 18LEDs, silver, NTSC, 3.8 to 9.5 mm lens, PSU separate

**WZ16PV408-0 IDN High-res Bullet Camera**    **WZ16PV408-0**  
 IDN bullet cam, 520TVL, SuperHAD, color switching to bw, lens filter, 18LEDs, silver, PAL, 3.8 to 9.5 mm lens, PSU separate

**Accessories**

**UPA-1220-60 Power Supply**                            **UPA-1220-60**  
 120 VAC, 60 Hz, 12 VDC, 1 A Out, regulated

**UPA-1220-50 Power Supply**                            **UPA-1220-50**  
 220 VAC, 50 Hz, 12 VDC, 1 A Out, regulated