

## 2 Megapixel Vari-focal Economy Low Lux Indoor Dome

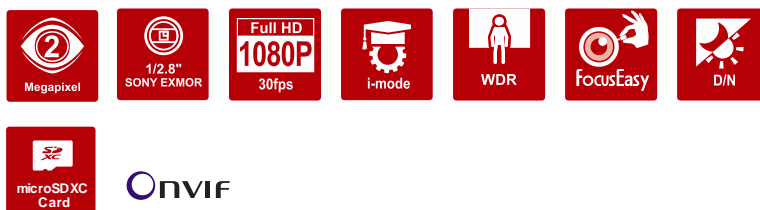
FD-202Ne V6

H.264 High profile • 1080p @ 30fps

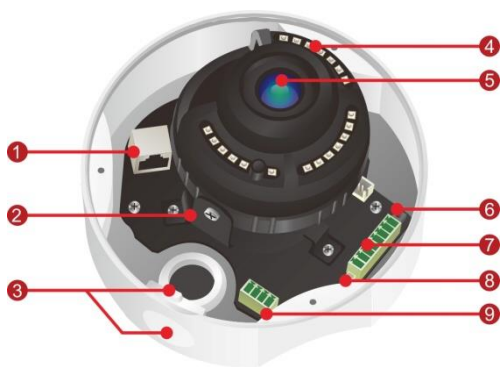


- Sony Exmor 2-Megapixel Fixed Dome Camera
- HDTV Video Quality (Full HD 1080p @ 30fps)
- Brickcom WDR Enhancement<sup>®</sup> Technology
- H.264, MPEG-4, and MJPEG Triple-Codec Compression
- i-Mode for Different Environments
- Removable IR-Cut Filter & Auto Light Sensor for Day and Night function
- 1 DI/DO for External Alarm and Sensor Devices
- TV out Connector Supported
- 3-Axis Design
- Two-Way Audio
- Built-in Micro SD / SDHC / SDXC Memory Card Slot for Local Storage
- Power over Ethernet/DC 12V/AC 24V Supported

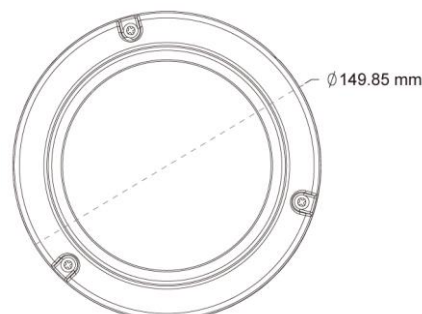
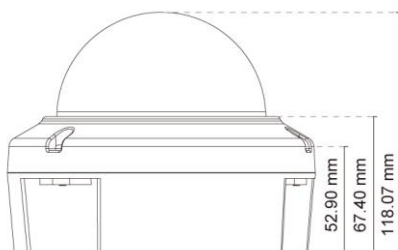
Photo Indication & Dimension Diagram



ONVIF



- |   |   |
|---|---|
| 1 RJ45 Connector<br>(For Ethernet and 802.3 af PoE) | 7 Terminal Block (For Audio in/out, DIDO) |
| 2 Tilt Screw  | 8 TV Out Connector                        |
| 3 Conduit Plug and Hole                             | 9 Terminal Block (For DC12V / AC24V)      |
| 4 LEDs  | 10 Micro SD Card Slot                     |
| 5 Lens  |   |
| 6 Reset Button/Focus Easy Button                    |   |



Camera	
<b>Models</b>	<b>FD-202Ne V6</b>
<b>Hardware System</b>	Flash: 32MB RAM: 256MB DDR
<b>Image Sensor</b>	Sensor Type : 1/2.8" Sony Exmor CMOS Sensor Sensor Resolution : 2M (1920 x 1080)
<b>Lens</b>	Lens Type: Vari-focal Lens IRIS: F1.4 Focal Length: f=2.8~12mm View Angle: (H°/V°/D°) (H) 96°~35° / (V) 52°~20° / (D) 106°~40°
<b>Local Storage</b>	Built-in Micro SD/SDHC/SDXC Max.128G Memory Card Slot
<b>Day &amp; Night ICR</b>	Triggered by Light sensor, Scheduling, Digital Input
<b>Minimum Illumination</b>	0 Lux(IR On, B/W) 0.001 Lux(F1.4,B/W) 0.002 Lux(F1.4,Color)
<b>IR Illuminators</b>	Built -In IR Illuminators, 30m (Visible distance) 25m (Detail distance) IR LED: 12pcs
Video	
<b>Compression Streaming</b>	H.264 / MPEG4 / MJPEG Simultaneous multiple streams
<b>Video Setting</b>	<b>i-Mode Scene Management:</b> Smart Auto/ Indoor 60Hz/ Indoor 50Hz/ Outdoor / Car License Plate / Schedule/ Digital Input / Entrance & Elevator / Always  <b>i-Mode Profile Setting:</b> Auto Exposure Control/Gain/ White Balance Control Manual Exposure Control: 1/32000 s ~ 1 s Manual Gain Control: 1 ~ 48
<b>Image Resolution</b>	2M (1920 x 1080) • (30fps)
<b>WDR</b>	60dB
Events and Alarm Management	
<b>Events</b>	Motion Detection/ Schedule/ Audio Detection/ Digital Input/ Temperature Alarm
<b>Alarm</b>	Stream/Snapshot to FTP/Email/Samba/SD-Card HTTP/Email Notification/ Digital Output

Audio	
<b>Audio Streaming</b>	2-way Audio Support
<b>Audio Compression</b>	G.711/AMR
<b>Audio Input/ Output</b>	Line input (Unbalanced, 1.4 Vp-p, 1 Vrms) / Line output
General	
<b>Communication</b>	Ethernet : one 10/100Mbps RJ-45 Supported Protocols : TCP/IP, UDP, ICMP, DHCP, NTP, DNS, DDNS, SMTP, FTP, HTTP, Samba, PPPoE, UPnP, RTP, RTSP, RTCP, IPv6
<b>Power Input</b>	DC12V 1A / 802.3af PoE AC24V
<b>Temperature/ Environment</b>	Operating Temperature: -40°C ~ 50°C (-40°F ~ 122°F) Start-up Temperature: -20°C ~ 50°C (-4°F ~ 122°F)  Operating Humidity: 10% ~ 90%
<b>Max. Power Consumption</b>	DC12V 1A 8 Watts AC 24V 10.5 Watts 802.3 af POE 12.5 Watts
<b>Dimension</b>	149.85(D) X 118.07 (H) mm
<b>Weight</b>	510g/1.13lb
<b>Certification</b>	FCC/CE
<b>Viewing System Requirements</b>	OS: Microsoft Windows 8/7/Vista/XP/2000 Browser: Mozilla Firefox, Internet Explorer 6/7 or above, Safari, Google Chrome Cell Phone: 3GPP player Real Player: 10.5 or above Quick Time: 6.6 or above VLC
<b>Warranty</b>	Limited 24 months warranty

#### Camera Accessories Options



**L-WM-01**  
Camera Bracket



**POE30U V2**  
High Power PoE Injector



**PS-588I V2**  
9 port 10/100M PoE Fast Ethernet Switch



**PS-7242IL-AT**  
24-port 10/ 100M High Power PoE+ Web Smart Ethernet Switch