

# 2 Megapixel Day & Night 30x Speed Dome IVA UPGRADE SECOND EDITION

OSD-200Np 30X WDRPro SE

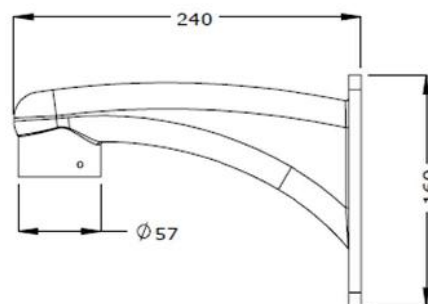
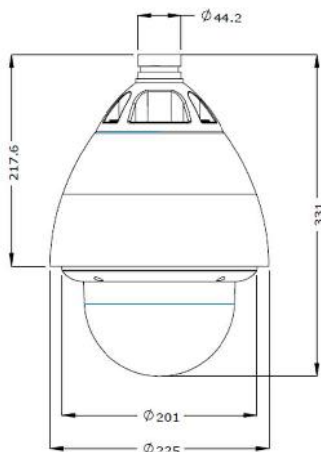
H.264 High Profile • 30x Optical Zoom • 1080p @ 30fps



- 2 Megapixel High Resolution Outdoor Speed Dome Camera
- 30x Optical Zoom, 32x Digital Zoom
- Preset speed up to 400°/s
- H.264 High Profile Video Compression Technology
- i-Mode for Different Environments
- Brickcom WDR Enhancement® Technology
- Removable IR-cut Filter
- IP66 Weather-proof Outdoor Enclosure
- IK10 Anti Vandal Resistance
- HDTV Quality (Full HD 1080p @ 30fps Streaming)
- Privacy Masks for Private Area Protection
- 4sets DI / 2 sets DO for External Alarm and Sensor Device
- Built-in SD / SDHC / SDXC Memory Card Slot for Local Storage
- PoE(802.3at) / PoE(802.3af) / DC12V Supported
- Two-way Audio



ONVIF



Camera	
<b>Models</b>	<b>OSD-200Np 30X WDRPro SE</b>
<b>Hardware System</b>	CPU: 600 MHz Flash: 32M RAM: 256M DDR
<b>Image Sensor</b>	Sensor Type : 1/2.8" Progressive Exmor CMOS Sensor Resolution : 2M (1920 x 1080)
<b>Lens</b>	30x Optical Zoom Lens DC-Iris: F1.6 Focal Length: f= 4.3 ~ 129 mm View Angle (H°/V°/D°): (H): 71.3°~2.5°/ (V): 45.3°~1.6°/ (D): 58.9°~2.1° Removable IR Cut Filter Auto Iris/ Auto Focus/ Wide Dynamic Range/ AGC Control/ Backlight Compensation
<b>Local Storage</b>	Built-in SD / SDHC / SDXC Max.64G Memory Card Slot
<b>Day &amp; Night ICR</b>	Triggered by Light sensor, Scheduling, Digital Input
<b>Minimum Illumination</b>	0.001 lux (F1.6, B/W) 0.002 lux (F1.6, Color)
Video	
<b>Compression Streaming</b>	H.264 / MPEG4 / MJPEG Simultaneous multiple streams
<b>Video Setting</b>	i-Mode Image Management: Day/ Night/ Sunset/ User 1/ User 2 Auto / Indoor / Outdoor / ATW / Manual White Balance Exposure: Full Auto Mode/ Shutter Priority Mode/ Iris Priority Mode/ Manual Mode Manual Exposure Control: 1/60000~1/30 s Manual Gain Control: 1 ~ 48 Enhancement 3D-NR
<b>S/N Ratio</b>	Above 50dB
<b>Image Resolution</b>	2M (1920 x 1080) • (30fps)
<b>WDR</b>	120 dB

#### Camera Accessories Options



**IP Desktop Joystick**

Events and Alarm Management	
<b>Events</b>	Motion Detection(4 zones)/Privacy Mask(4 zones) Schedule/ Audio Detection/ Digital Input/ Tamper alarm (Focus Loss, Blockage, Spray Painting)*, Temperature Alarm, Auto Focus Shift for Day & Night
<b>Alarm</b>	Alarm Output 2 Sets Alarm Reaction& Home Function: Preset / Sequence / Auto Pan / Cruise
Audio	
<b>Audio Streaming</b>	2-way Audio Support
<b>Audio Compression</b>	G.711, AMR (8 kHz, Mono, PCM) / G.726 ADPCM / AAC
<b>Audio Input/ Output</b>	Line input (Unbalanced, 1.4 Vp-p, 1 Vrms) / Line output
General	
<b>Communication</b>	Ethernet : one 10/100Mbps RJ-45 Supported Protocols : IPv4/6, TCP/IP, UDP/IP, HTTP, HTTPS, RTP(UDP), RTP(TCP), RTSP, DHCP, ICMP, IGMP, SSL, FTP, SMTP, NTP, ARP, DDNS, PPPoE, RTCP, DNS, CIFS/SMB, SNMP, UPnP, DynDNS, SOCKS, IEEE 802.1x, (SSH, LDAP)*
<b>PTZ Functions</b>	Pan: 360°, 0.5°~90°/s Tilt: -10°~190°, 0.5°~90°/s Preset: 256, 5°~400°/s Preset Accuracy: 0.225° Zoom: 30x Optical Zoom 1~32x Variable Digital Zoom Sequence: 8 Auto Pan: 4 Cruise: 8 Privacy Mask: 16 Image Rotation: Flip / Mirror / Inverse / Portrait Auto Flip: Image / Mechanical / Off
<b>Power Input</b>	DC12V 1.5A / 802.3af PoE 802.3at PoE / DC12V 2A
<b>Power Input/ Temperature/ Environment</b>	Operating Temperature: -45°C ~ 60°C (-49°F ~ 140°F)  Operating Humidity: 20% ~ 80%
<b>Max. Power Consumption</b>	12 Watts (802.3af PoE, w/o Heater) 24 Watts (DC 12V 2A)
<b>Weight</b>	Net: 2300 g/ 7.35lb
<b>Housing</b>	Weather-proof (IP66)
<b>Certification</b>	FCC / CE / IP66
<b>Viewing System Requirements</b>	OS: Microsoft Windows 7/Vista/XP/2000 Browser: Mozilla Firefox, Internet Explorer 6/7 or above, Safari, Google Chrome Cell Phone: 3GPP player Real Player: 10.5 or above Quick Time: 6.6 or above VLC
<b>Warranty</b>	Limited 24-month warranty

\* Optional Features

© 2015 Brickcom Corporation, All rights reserved. This document is for the planning purposes only, and is subject to change without notice.

V3.0