

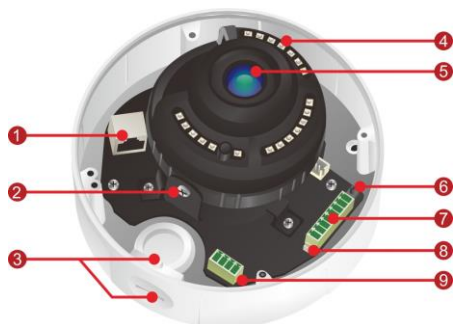
5 Megapixel Vari-Focal Economy Vandal Dome

VD-502Ae V6

H.264 High Profile • 5M/3M/2M Resolution supported • 1080p @ 30fps



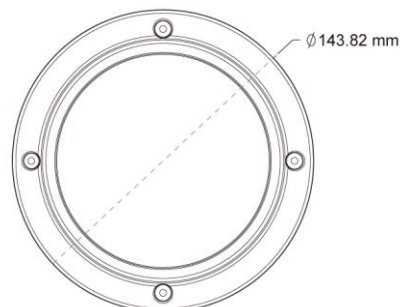
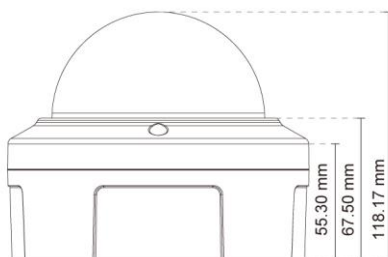
Photo Indication & Dimension Diagram



- CMOS 5M High Resolution Outdoor Vandal Dome Camera
- FocusEasy™ to Focus Fast and Easily
- HDTV Quality (Full HD 1080p @ 30fps Streaming)
- Brickcom WDR Enhancement® Technology
- H.264 and MJPEG Codec Compression
- i-Mode for Different Environments
- Removable IR-cut Filter /Auto Light Sensor for Day and Night
- 1 DI/DO for External Alarm and Sensor Device
- 3 Axis Design
- Two-way Audio
- Built-in Micro SD / SDHC / SDXC Memory Card Slot for Local Storage
- IK10 Vandal Proof and IP67 Weather Proof Outdoor Enclosure
- Power over Ethernet/DC 12V/AC 24V Support
- Smart IR to Get a Better Illuminated Image



- | | |
|---|--|
| <ul style="list-style-type: none"> ① RJ45 Connector
(For Ethernet and 802.3 at PoE Plus) ② Tilt Screw ③ Conduit Plug and Hole ④ LEDs ⑤ LENS ⑥ Reset Button/Focus Easy Button ⑦ Terminal Block
(For Audio in/out, DIDO) | <ul style="list-style-type: none"> ⑧ TV Out Connector ⑨ Terminal Block (For DC12V/AC24V) ⑩ Micro SD Card Slot |
|---|--|



Camera	
Models	VD-502Ae V6
Hardware System	Flash: 32MB RAM: 256MB DDR
Image Sensor	Sensor Type : 1/2.5" CMOS Sensor Sensor Resolution : 5M (2592 x 1944)
Lens	Lens Type: Vari-focal Lens Fixed-IRIS: F1.4 Focal Length: f=3.3~10.5mm View Angle: (H°/V°/D°) (H)86°~33°/(V)64°~25°/(D) 112°~41°
Local Storage	Built-in Micro SD/SDHC/SDXC Max.128G Memory Card Slot
Day & Night ICR	Triggered by Light sensor, Scheduling, Digital Input
Minimum Illumination	0 Lux(IR On, B/W) 0.01 Lux(F1.4,B/W) 0.02 Lux(F1.4,Color)
IR Illuminators	Built -In IR Illuminators, 30m (Visible distance) 25m (Detail distance) IR LED: 12 PCS

Video	
Compression Streaming	H.264 / MJPEG Simultaneous multiple streams
Video Setting	i-Mode Scene Management: Smart Auto/ Indoor 60Hz/ Indoor 50Hz/ Outdoor/ Car License Plate / Schedule/ Digital Input/ Entrance & Elevator / Always i-Mode Profile Setting: Auto Exposure Control/Gain/ White Balance Control Manual Exposure Control: 1/32000s ~ 1s Manual Gain Control: 1 ~ 48
Image Resolution	5M (2592 x 1944) ● (13fps) 3M (2048 x 1536) ● (20fps) 2M (1920 x 1080) ● (30fps)
WDR	60dB

Events and Alarm Management	
Events	Motion Detection/ Schedule/ Audio Detection/ Digital Input/ Temperature Alarm
Alarm	Stream/Snapshot to FTP/Email/Samba/SD-Card HTTP/Email Notification/ Digital Output

Audio	
Audio Streaming	2-way Audio Support
Audio Compression	G.711/AMR
Audio Input/ Output	Line input (Unbalanced, 1.4 Vp-p, 1 Vrms) / Line output

General	
Communication	Ethernet : one 10/100Mbps RJ-45 Supported Protocols : TCP/IP, UDP, ICMP, DHCP, NTP, DNS, DDNS, SMTP, FTP, HTTP, Samba, PPPoE, UPnP, RTP, RTSP, RTCP, IPv6

Power Input	DC12V 1A 802.3af PoE AC24V
--------------------	----------------------------------

Temperature/ Environment	Operating Temperature: -40°C ~ 50°C (-40°F ~ 122°F) Start-up Temperature: -20°C ~ 50°C (-4°F ~ 122°F) Operating Humidity: 10% ~ 90%
---------------------------------	---

Max. Power Consumption	DC12V 1A 8 Watts AC 24V 10.5 Watts 802.3 af POE 10 Watts
-------------------------------	---

Dimension	143.82 (D) mm X 118.17(H) mm
------------------	------------------------------

Weight	860g/1.90lb
---------------	-------------

Housing	Weather-proof (IP67) Vandal-proof (IK10)
----------------	---

Certification	FCC/CE/IK10/IP67
----------------------	------------------

Viewing System Requirements	OS: Microsoft Windows 8/7/Vista/XP/2000 Browser: Mozilla Firefox, Internet Explorer 6/7 or above, Safari, Google Chrome Cell Phone: 3GPP player Real Player: 10.5 or above Quick Time: 6.6 or above VLC
------------------------------------	--

Warranty	Limited 24 months warranty
-----------------	----------------------------

Camera Accessories Options



L-WM-01
Camera Bracket



POE30U V2
High Power PoE Injector



PS-588I V2
9 port 10/100M PoE Fast Ethernet Switch



PS-7242IL-AT
24-port 10/ 100M High Power PoE+ Web Smart Ethernet Switch