

2 Megapixel Elite Vandal Dome

VD-E200Nf

H.264 High Profile • 1080p @ 25fps



- Sony Exmor 2M Outdoor Vandal Dome Camera
- H.264 High Profile Video Compression Technology
- EN50155 Certified for Transportation Application
- HDTV Quality (Full HD 1080p @ 25fps Streaming)
- IK10 & IP66 Weather-proof Outdoor Enclosure
- PoE(802.3af) / DC12V Supported

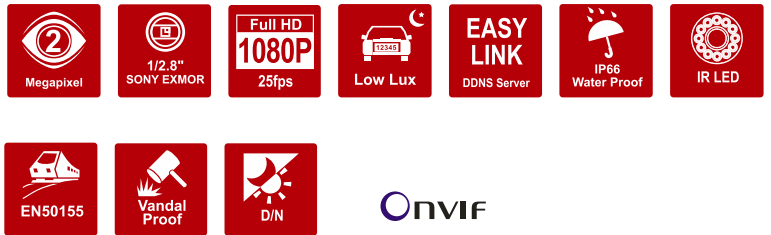
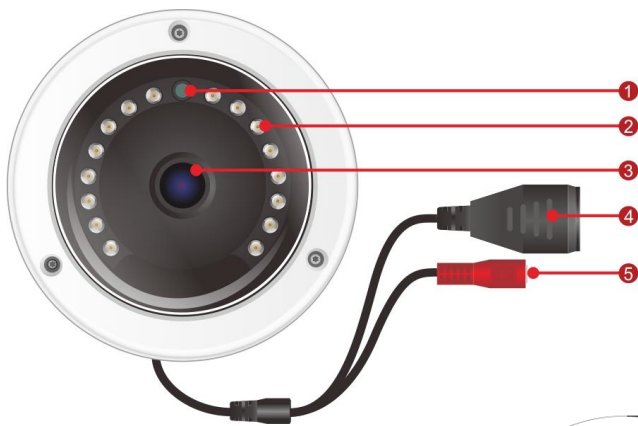
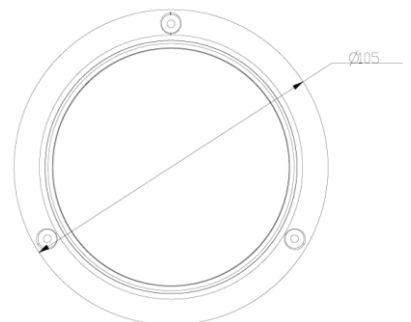
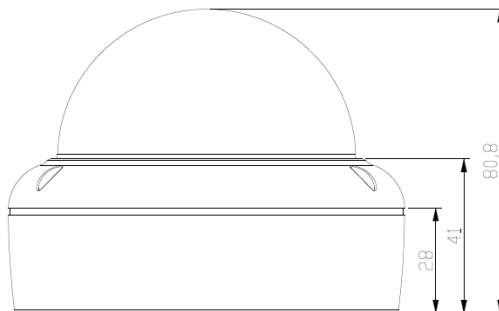


Photo Indication & Dimension Diagram



- 1 Light Sensor
- 2 LEDs
- 3 Lens
- 4 RJ45 Connector (for Ethernet and 802.3af PoE)
- 5 DC12V Connector



Camera

Models	VD-E200Nf
Hardware System	CPU: 800 MHz Flash: 16M RAM: 128M DDR
Image Sensor	Sensor Type : 1/2.8" Sony Exmor Sensor Sensor Resolution : 1920x1080 pixel
Lens	Fix-IRIS: F2.0 Focal Length: f=3.6mm View Angle: (H°/V°/D°) 87°/46°/99°
Day and Night	Removable IR-cut Filter/Auto Light Sensor
Minimum Illumination	0 Lux(IR On, B/W) 0.001 Lux(F2.0,B/W) 0.002 Lux(F2.0,Color)
IR Illuminators	Built -In IR Illuminators 20m (Visible distance) 10m (Detail distance) IR LED: 15 pcs

Video

Compression Streaming	H.264 / MJPEG 2 streams
Video Setting	Quality Setting:1-6 Bitrate Setting up to 12M bps
Image Resolution	2M (Full HD): 1920x1080 @ 25fps
WDR	60dB

Events and Alarm Management

Events	Motion Detection
Alarm	Stream/Snapshot to Email/Email Notification

General

Communication	Ethernet : one 10/100Mbps RJ-45 Supported Protocols : TCP/IP, UDP, ICMP, DHCP, NTP, DNS, DDNS, SMTP, HTTP, UPnP, RTP, RTSP, RTCP
Power Input	PoE 802.3af / DC12V
Temperature/Environment	Operating Temperature: -40°C ~ 40°C(-40°F ~104°F) Start-up Temperature: -25°C ~ 40°C(-13°F ~104°F) Operating Humidity: 10% ~ 90%
Max. Power Consumption	5 watts
Dimension	105(L) X105(W) X 80.8(H) mm Gross Weight: 0.5kg
Connectors	RJ45, DC12V
Certification	FCC, CE, IK10, IP66, EN50155
Viewing System Requirements	OS: Microsoft Windows 8/7/Vista/XP/2000 Browser: Mozilla Firefox, Internet Explorer 6/7 or above, Safari, Google Chrome Cell Phone: 3GPP player Real Player: 10.5 or above Quick Time: 6.6 or above VLC
Warranty	Limited 12 months warranty

Network Equipment Options



PS-588I-v2
8-port 10/100M PoE Fast Ethernet Switch



L-WM-01
Camera Bracket



PS-7242IL-AT
24-port 10/ 100M High Power PoE+ Web Smart Ethernet Switch