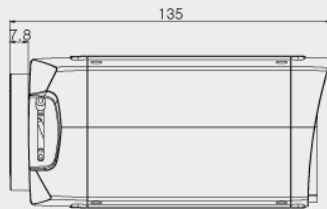
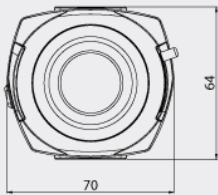
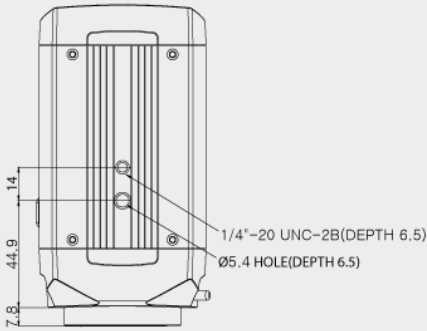




Features

- 1/3 inch Double Scan CCD
- Ultra High Resolution : 650 TV Lines
- TDN(ICR), DSS
- 16x Digital Zoom (On/Off)
- Min. Illumination : 0.00003Lux (DSS On, B/W)
- OSD, Privacy Zone, Motion Detection
- WDR (Max. 54dB)
- Digital Slow Shutter (2x~256x)
- RS-485(Pelco-D) Interface
- 12VDC

DIMENSIONS



SPECIFICATIONS

Model	BFE-40F	BFE-41F
Signal System	NTSC	PAL
Scanning System	2:1 Interlace	
Scanning Frequency (H)	15.734 KHz	15.625 KHz
Scanning Frequency (V)	59.94 Hz	50 Hz
Image Sensor	1/3 Inch Double Scan CCD	
Total Pixels	1028(H) x 508(V) 520K	1028(H) x 596(V) 610K
Effective Pixels	976(H) x 494(V) 480K	976(H) x 582(V) 570K
Horizontal Resolution	650 TV Lines	
Video Output Level	1.0V p-p (75Ω, Composite)	
S/N Ratio	More than 50dB(AGC Off)	
Lens Mount	CS Mount	
Digital Zoom	Off / 2x ~ 16x	
Digital Slow Shutter	Off / 2x~256x FLD	
Day & Night Type	Electronic Sensitivity-up (DSS), ICR(AGC type)	
Min.Illumination	0.1Lux(Color), 0.01Lux(B/W), 0.00003Lux (DSS On, B/W), F1.2, 20IRE	
WDR	Off / BLC (Auto, User) / WDR (Max. 54dB)	
OSD	On / Off (English)	
White Balance	Auto, Manual, Hold, Outdoor, Fluor, Indoor User, CRS	
AGC	0~32	
DNR	Off / 2D / 3D	
Motion Detection	On / Off (4 Zone)	
Privacy Zone	On / Off (6 Zone)	
Mirror	Normal / Vertical / Mirror / Rotate	
Sharpness	0 ~ 15	
Communication	RS-485 (Pelco-D)	
Operating Temp. / Humidity	-10℃ ~ +50℃ / 30% ~ 80% RH	
Storage Temp. / Humidity	-20℃ ~ +60℃ / 20% ~ 90% RH	
Electronic Shutter Speed	1/60~1/10,000 Sec.	1/50~1/10,000sec.
Supplied Voltage	12VDC (-10%, +20%)	
Power Consumption	Max. 2.52W / 210mA	
Dimensions(WxHxD)	70(W) x 64(H) x 135(D) mm	
Weight	Approx. 324g	