

## Product Highlights

### Full HD Resolution

A high-resolution 2 megapixel sensor provides Full HD 1080p resolution images and video to ensure that you capture the details you need

### Large Area Monitoring

The motorised pan/tilt controls and 16x digital zoom allow you to monitor a large area and zoom to view fine detail

### Compact Size and Easy Deployment

Small size gives flexibility in terms of where the camera can be installed. Power over Ethernet (PoE) simplifies your installation options by removing the need for supplemental power cabling



## DCS-5615

# Full HD Mini Pan & Tilt Dome Network Camera

## Features

### Camera

- 1/2.7" Full HD progressive 2 megapixel CMOS sensor
- Fixed lens 4mm, F1.5
- Tamper detection
- Advanced event management
- Advanced web user interface

### Video & Audio

- Real-time H.264/MPEG-4/MJPEG
- Max. resolution: 1920 x 1080 at 15 fps  
1280 x 720 at 30 fps
- Three simultaneous streams
- Two-way audio
- Motion detection
- Privacy mask

### Flexible Surveillance

- Record continuously, based on event triggers, or according to a schedule
- Pan & tilt manually or define points of interest for automated monitoring
- Onboard microSD slot for direct recording or as a backup in the event of network link failure<sup>1</sup>
- Manage up to 32 cameras using the included D-ViewCam™ software

The DCS-5615 Full HD Mini Pan & Tilt Dome Network Camera features industry-leading high definition (Full HD 1080p) 2 megapixel resolution and H.264 compression that enable high-quality video footage to be recorded. The DCS-5615 connects to a network to provide high-quality live video over the Internet.

## Full HD Surveillance

The DCS-5615 delivers Full HD 16:9 widescreen IP video surveillance and provides vivid high-quality video, making it easier to view and monitor footage. With the included D-ViewCam™ 32-channel recording software, the DCS-5615 provides a complete solution for high-quality live viewing and reliable recording. The camera also has a built-in microSD card slot which can be used for local backup by storing important events on an easily retrievable microSD card<sup>1</sup>.

## Multiple Video Streams

The DCS-5615 supports simultaneous streaming of H.264, MPEG-4, and MJPEG video to provide both high-quality and bandwidth-efficient compression formats. H.264 produces a small file size, making it useful for extended recording with a high level of detail or for use in low bandwidth networks. MJPEG delivers excellent file integrity, ideal for situations which require extensive image detail. Additionally, the DCS-5615 supports multicast H.264 streaming, allowing users to view the camera feed by subscribing to a multicast IP address on the network.

## Sharp Image Monitoring from Different Angles

With accurate, responsive pan/tilt movement and digital zoom, the DCS-5615 gives you full control, so you can quickly scan a wide area from a variety of angles and 16x digital zoom lets you zoom in on specific areas for more detail. The DCS-5615 can also be set to automatically move to specific preset positions, allowing the camera to patrol particular areas of interest within a surveillance area.

## Flexible Connectivity

The DCS-5615 includes an input port for connectivity to external devices such as IR sensors, switches, and alarm relays. The DCS-5615 also incorporates Power over Ethernet (PoE), allowing it to be easily installed in a variety of locations without the need for supplemental power cabling.

## Tamper-proof

Tamper-proof features make the DCS-5615 camera suitable for tamper-prone locations such as transportation hubs, schools or correctional facilities. The electronic tamper detection system can sense whenever the camera has been redirected, de-focused, blocked or spray-painted, and respond promptly with a visible or audible alarm.

## D-ViewCam™ for Management

The included D-Link D-ViewCam™ is sophisticated software which allows users to manage up to 32 network cameras, set e-mail alert notifications, create recording schedules, and use motion detection to record important events directly to a hard drive. D-ViewCam™ also allows users to upload a floor plan to create a realistic layout of the premises where the cameras are located, further simplifying the management process.



If the worst should happen to your network you need the very best support and fast. Downtime costs your business money. D-Link Assist maximises your uptime by solving technical problems quickly and effectively. Our highly trained technicians are on standby around the clock, ensuring that award-winning support is only a phone call away.

With a choice of three affordable service offerings covering all D-Link business products, you can select the package that suits you best:

### **D-Link Assist Gold - for comprehensive 24-hour support**

D-Link Assist Gold is perfect for mission-critical environments where maximum uptime is a high priority. It guarantees four hour around-the-clock response. Cover applies 24/7 for every day of the year including holidays.

### **D-Link Assist Silver - for prompt same-day assistance**

D-Link Assist Silver is designed for 'high availability' businesses that require rapid response within regular working hours. It provides a four hour response service Monday to Friday from 8am to 5pm, excluding holidays.

### **D-Link Assist Bronze - for guaranteed response on the next business day**

D-Link Assist Bronze is a highly cost-effective support solution for less critical environments. Response is guaranteed within eight business hours Monday to Friday from 8am to 5pm, excluding holidays.

D-Link Assist can be purchased together with any D-Link business product. So whether you're buying switching, wireless, storage, security or IP Surveillance equipment from D-Link, your peace of mind is guaranteed. D-Link Assist also offers installation and configuration services to get your new hardware working quickly and correctly.

**Technical Specifications**

**Camera**

Hardware profile	<ul style="list-style-type: none"> <li>• 1/2.7" Full HD progressive 2 megapixel CMOS sensor</li> <li>• Fixed lens 4mm</li> <li>• Aperture F1.5</li> <li>• 16 x Digital Zoom</li> <li>• Minimum illumination 0.12 lux</li> </ul>	<ul style="list-style-type: none"> <li>• Minimum Object Distance 40 cm</li> <li>• Angle of view: (H) 77.4° (V) 45.1° (D) 88°</li> </ul>
Pan & Tilt	<ul style="list-style-type: none"> <li>• Pan/Tilt range Pan range: 360° (-180 to 180°) Tilt range: 80° (10 to 90°)</li> </ul>	<ul style="list-style-type: none"> <li>• Pan/Tilt speed: Pan speed: 101°/second Tilt speed: 101°/second</li> </ul>
Image Features	<ul style="list-style-type: none"> <li>• Configurable image size, quality, and bit rate</li> <li>• Time stamp and text overlays</li> <li>• 3 configurable motion detection windows</li> </ul>	<ul style="list-style-type: none"> <li>• Flip &amp; mirror</li> <li>• Configurable white balance, shutter speed, brightness, saturation, contrast, sharpness</li> </ul>
Video Compression	<ul style="list-style-type: none"> <li>• H.264/MPEG4/MJPEG simultaneous format compression</li> <li>• JPEG for still image</li> </ul>	<ul style="list-style-type: none"> <li>• H.264/MPEG-4 multicast streaming</li> </ul>
Video Resolution	<ul style="list-style-type: none"> <li>• 1920 x 1080 at 15 fps</li> <li>• 1600 x 904 at 20 fps</li> <li>• 1360 x 768 at 25 fps</li> <li>• 1280 x 720 at 30 fps</li> </ul>	<ul style="list-style-type: none"> <li>• 640 x 480 at 30 fps</li> <li>• 384 x 216 at 30 fps</li> <li>• 176 x 144 at 30 fps</li> </ul>
Audio Support	<ul style="list-style-type: none"> <li>• GSM-AMR</li> <li>• G.711</li> </ul>	<ul style="list-style-type: none"> <li>• MPEG-4 AAC</li> </ul>
External Device Interface	<ul style="list-style-type: none"> <li>• DI for external sensor and alarm</li> <li>• microSD card slot<sup>1</sup></li> </ul>	<ul style="list-style-type: none"> <li>• 10/100 BASE-TX Ethernet port with PoE</li> <li>• 12V DC jack</li> </ul>

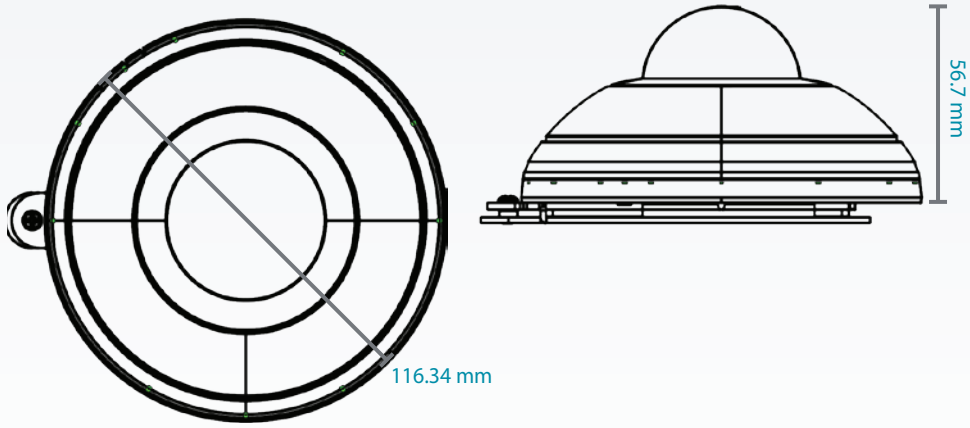
**Network**

Network Protocols	<ul style="list-style-type: none"> <li>• IPv4</li> <li>• IPv6</li> <li>• TCP/IP</li> <li>• UDP</li> <li>• ICMP</li> <li>• DHCP Client</li> <li>• NTP Client (D-Link)</li> <li>• DNS Client</li> <li>• DDNS Client (D-Link)</li> <li>• SMTP Client</li> <li>• FTP Client</li> </ul>	<ul style="list-style-type: none"> <li>• HTTP/HTTPS</li> <li>• Samba Client</li> <li>• PPPoE</li> <li>• UPnP Port Forwarding</li> <li>• RTP/RTSP/RTCP</li> <li>• IP filtering</li> <li>• LLTD</li> <li>• CoS/QoS</li> <li>• SNMP</li> <li>• IGMP</li> <li>• 802.1x</li> </ul>
Security	<ul style="list-style-type: none"> <li>• Administrator and user group protection</li> <li>• Password authentication</li> </ul>	<ul style="list-style-type: none"> <li>• HTTPS streaming</li> <li>• Remote client access control</li> </ul>

**System Integration**

System Requirements	<ul style="list-style-type: none"> <li>• Operating system: Microsoft Windows 7, Vista, XP, 2000</li> </ul>	<ul style="list-style-type: none"> <li>• Browser: Internet Explorer 7 or higher</li> </ul>
D-ViewCam™ System Requirements for Web Interface	<ul style="list-style-type: none"> <li>• Operating System: Microsoft Windows 7, Vista, XP</li> <li>• Web Browser: Internet Explorer 7 or higher</li> </ul>	<ul style="list-style-type: none"> <li>• Protocol: Standard TCP/IP</li> </ul>
Event Management	<ul style="list-style-type: none"> <li>• Motion detection</li> <li>• Tamper detection</li> <li>• Event notification and upload snapshots/video clips via HTTP, SMTP or FTP</li> </ul>	<ul style="list-style-type: none"> <li>• Multiple event notification</li> <li>• Multiple recording methods for easy backup</li> <li>• Supports multiple HTTP, SMTP and FTP servers</li> </ul>
Remote Management	<ul style="list-style-type: none"> <li>• Take snapshots/video clips and save to local hard drive via web browser</li> </ul>	<ul style="list-style-type: none"> <li>• Configuration accessible via web browser</li> </ul>
Surveillance Software Function	<ul style="list-style-type: none"> <li>• Supports all management functions provided in web interface</li> <li>• Scheduled motion triggered, or manual recording options</li> </ul>	<ul style="list-style-type: none"> <li>• Remote management/control of up to 32 cameras</li> <li>• Viewing of up to 32 cameras on one screen</li> </ul>

# DCS-5615 Full HD Mini Pan & Tilt Dome Network Camera

General	
Power	• 12 V DC 1.5 A, 50/60 Hz, IEEE 802.3af PoE
Max. Power Consumption	• 5.8 W • PoE (DC 48V) 5.8 W
Operating Temperature	• 0 to 40 °C (32 to 104 °F)
Storage Temperature	• -20 to 70 °C (-4 to 158 °F)
Humidity	• 90% non-condensing • Storage: 5% to 95% non-condensing
Weight	• 210 g (0.46 lbs)
Certifications	<ul style="list-style-type: none"> <li>• CE (Class A)</li> <li>• CE LVD (EN60965-1)</li> <li>• FCC (Class A)</li> <li>• ICES-003</li> <li>• C-Tick</li> </ul>
Dimensions	

<sup>1</sup> MicroSD card not included



For more information: [www.dlink.com](http://www.dlink.com)

**D-Link European Headquarters.** D-Link (Europe) Ltd., D-Link House, Abbey Road, Park Royal, London, NW10 7BX.  
 Specifications are subject to change without notice. D-Link is a registered trademark of D-Link Corporation and its overseas subsidiaries.  
 All other trademarks belong to their respective owners. ©2014 D-Link Corporation. All rights reserved. E&OE.

Updated May 2014

