

## Product Highlights

### Rugged Construction

IP68 weatherproof housing and weathershield makes the DCS-6315 ideal for the most demanding of video surveillance applications

### HD Resolution with Wide Dynamic Range

A high-resolution megapixel sensor provides HD resolution while Wide Dynamic Range technology ensures that you capture the details you need

### Colour Night Vision

Keep an eye on your home or office around the clock with vibrant colour images, even in low light environments



## DCS-6315

# HD WDR Varifocal Outdoor Fixed Dome Network Camera

## Features

### Exceptional Video Quality

- 1/3" 1 megapixel progressive CMOS sensor with colour night vision capability
- HD resolution of 1280 x 720
- Wide Dynamic Range image enhancement
- LowLight+
- H.264, MPEG-4, MJPEG codec support for streaming and recording
- Motion detection
- Privacy masks

### Outdoor Placement

- Built-in IR LED illuminator with a 15 metre range for use in dark areas
- Range of mounting options for flexible placement
- Rugged IP68 weatherproof housing
- Weathershield to protect unit when mounted outdoors

### Flexibility

- MicroSD/SDHC/SDXC card slot for onboard storage<sup>1</sup>
- 10/100 Fast Ethernet port with PoE ensures easy integration into your network
- DI/DO socket for connection to external devices
- Audio in and out jacks can be connected to a microphone and speaker for 2-way communication

The D-Link DCS-6315 HD WDR Varifocal Outdoor Fixed Dome Network Camera is a high definition professional video surveillance and security solution suitable for small, medium and large enterprises. The camera uses a high-sensitivity megapixel progressive scan CMOS sensor with onboard WDR image enhancement to deliver truly superior quality video in all conditions. The all-in-one rugged design makes this camera extremely reliable and ideal for deployment in video surveillance applications without the need for additional accessories.

## High-Quality Colour Night Vision

Incorporating a highly sensitive CMOS sensor with LowLight+ technology, the DCS-6315 provides outstanding performance in low light-conditions, resulting in more vibrant colour detail regardless of the amount of light available. The noise reduction feature has been upgraded and enhanced to provide exceptional quality images with high levels of detail.

To maximise bandwidth efficiency and improve image quality, the DCS-6315 provides real-time video compression using the H.264, MPEG-4 and MJPEG codecs, and supports three separate profiles for simultaneous video streaming and recording. This versatility enables a wide variety of security applications, such as monitoring public areas to detect incidents and to coordinate responses, enforcing access control to restricted areas, deterring criminal activity, or monitoring inventory.

## Continuous Monitoring

The DCS-6315's WDR image enhancement gives you improved image quality in environments with uneven or difficult lighting, so you can identify subjects that are backlit or in brightly lit areas. In low-light situations, the infrared-cut filter automatically slides out of the way to use all available light. The DCS-6315 also has built-in IR LED illuminators with a 15 metre range, allowing the camera to keep watch even in complete darkness. These features work together to give you a reliable video surveillance camera capable of monitoring an area 24 hours a day.

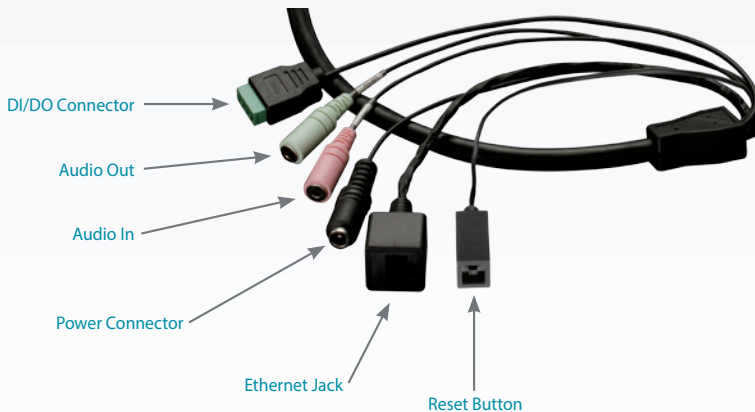
## HD WDR Varifocal Outdoor Fixed Dome Network Camera

### Robust Management Software

The DCS-6315 HD WDR Varifocal Outdoor Fixed Dome Network Camera includes D-ViewCam™, a complete video surveillance software package that enables you to view, manage, and record from up to 32 cameras on a single computer in a central location. Recordings and e-mail alerts can be triggered through motion detection or events triggered by digital input devices, keeping administrators informed of any unusual activity.

### Flexible Connectivity

The DCS-6315 has a built-in 802.3af compliant PoE module that simplifies installation by providing power and networking connectivity with a single cable, reducing the need to drill holes or lay additional cabling. In addition, the included digital input and output connector enables connections to external devices such as IR sensors, switches and alarm relays.



### D-Link Assist Rapid Response Support

If the worst should happen to your network you need the very best support and fast. Downtime costs your business money. D-Link Assist maximises your uptime by solving technical problems quickly and effectively. Our highly trained technicians are on standby around the clock, ensuring that award-winning support is only a phone call away.

With a choice of three affordable service offerings covering all D-Link business products, you can select the package that suits you best:

#### D-Link Assist Gold - for comprehensive 24-hour support

D-Link Assist Gold is perfect for mission-critical environments where maximum uptime is a high priority. It guarantees four hour around-the-clock response. Cover applies 24/7 for every day of the year including holidays.

#### D-Link Assist Silver - for prompt same-day assistance

D-Link Assist Silver is designed for 'high availability' businesses that require rapid response within regular working hours. It provides a four hour response service Monday to Friday from 8am to 5pm, excluding holidays.

#### D-Link Assist Bronze - for guaranteed response on the next business day

D-Link Assist Bronze is a highly cost-effective support solution for less critical environments. Response is guaranteed within eight business hours Monday to Friday from 8am to 5pm, excluding holidays.

D-Link Assist can be purchased together with any D-Link business product. So whether you're buying switching, wireless, storage, security or IP video surveillance equipment from D-Link, your peace of mind is guaranteed. D-Link Assist also offers installation and configuration services to get your new hardware working quickly and correctly.

# HD WDR Varifocal Outdoor Fixed Dome Network Camera

## Technical Specifications

### Camera

Camera Hardware Profile	<ul style="list-style-type: none"> <li>• 1/3" Megapixel progressive CMOS sensor</li> <li>• 15 metre IR illumination distance</li> <li>• Built-in infrared-cut removable (ICR) filter module</li> <li>• Minimum illumination:               <ul style="list-style-type: none"> <li>• 0.1 lux colour mode</li> <li>• 0.02 lux black and white mode</li> <li>• 0 lux black and white mode with IR LED on</li> </ul> </li> </ul>	<ul style="list-style-type: none"> <li>• Minimum object distance 0.2 m</li> <li>• 2.8 to 12mm variable focal lens</li> <li>• Aperture F1.4</li> <li>• Angle of view (16:9)               <ul style="list-style-type: none"> <li>• (H) 90° to 28°</li> <li>• (V) 58.8° to 16°</li> <li>• (D) 103° to 33°</li> </ul> </li> </ul>
Camera Housing	<ul style="list-style-type: none"> <li>• IP-68 compliant weatherproof housing</li> <li>• IK-10 compliant vandal-proof housing</li> </ul>	<ul style="list-style-type: none"> <li>• Included weathershield</li> </ul>
Image Features	<ul style="list-style-type: none"> <li>• Configurable image size, quality, frame rate, and bit rate</li> <li>• Time stamp and text overlays</li> <li>• Configurable motion detection windows</li> </ul>	<ul style="list-style-type: none"> <li>• Configurable privacy mask zones</li> <li>• Configurable exposure time, brightness, saturation, contrast, sharpness.</li> </ul>
Video Compression	<ul style="list-style-type: none"> <li>• Simultaneous H.264/MPEG-4/MJPEG format compression</li> <li>• H.264/MPEG-4 multicast streaming</li> </ul>	<ul style="list-style-type: none"> <li>• JPEG for still images</li> </ul>
Video Resolution	<ul style="list-style-type: none"> <li>• 16:9 - 1280 x 720, 800 x 450, 640 x 360, 480 x 270, 320 x 176 at up to 30 fps</li> </ul>	<ul style="list-style-type: none"> <li>• 4:3 - 1024 x 768, 800 x 600, 640 x 480, 480 x 360, 320 x 240 at up to 30 fps</li> </ul>
Audio Support	<ul style="list-style-type: none"> <li>• G.726</li> </ul>	<ul style="list-style-type: none"> <li>• G.711</li> </ul>
External Device Interfaces	<ul style="list-style-type: none"> <li>• 10/100 BASE-TX Ethernet port with PoE</li> <li>• 1 DI / 1 DO</li> <li>• DC12 V, 400 mA Output</li> </ul>	<ul style="list-style-type: none"> <li>• microSD/SDHC/SDXC card slot, accepts cards up to 64 GB<sup>1</sup></li> <li>• Audio input / output</li> </ul>

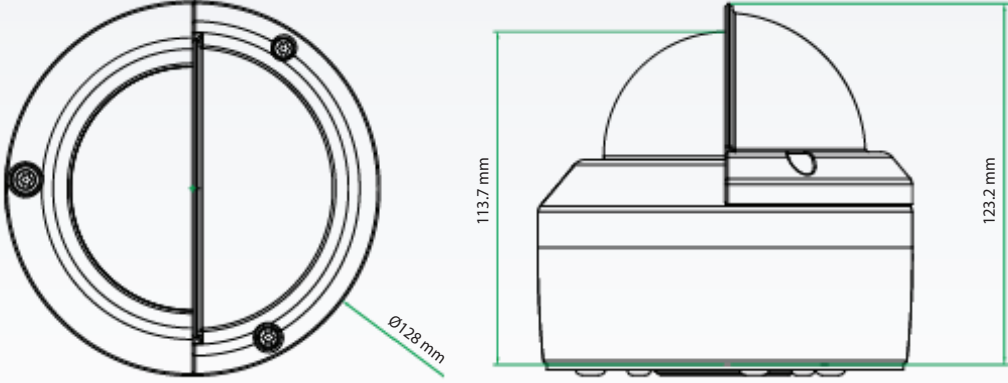

### Network

Network Protocols	<ul style="list-style-type: none"> <li>• IPv6</li> <li>• IPv4</li> <li>• TCP/IP</li> <li>• UDP</li> <li>• ICMP</li> <li>• DHCP client</li> <li>• NTP client (D-Link)</li> <li>• DNS client</li> <li>• DDNS client (D-Link)</li> <li>• SMTP client</li> <li>• FTP client</li> </ul>	<ul style="list-style-type: none"> <li>• HTTP / HTTPS</li> <li>• Samba client</li> <li>• PPPoE</li> <li>• UPnP port forwarding</li> <li>• RTP / RTSP / RTCP</li> <li>• IP filtering</li> <li>• QoS</li> <li>• CoS</li> <li>• Multicast</li> <li>• ONVIF compliant</li> <li>• SNMP</li> </ul>
Security	<ul style="list-style-type: none"> <li>• Administrator and user group protection</li> <li>• Password authentication</li> </ul>	<ul style="list-style-type: none"> <li>• HTTP and RTSP authentication</li> </ul>

### System Management

System Requirements for Web Interface	<ul style="list-style-type: none"> <li>• Browser: Internet Explorer, Firefox, Chrome, Safari</li> </ul>	
Event Management	<ul style="list-style-type: none"> <li>• Motion detection</li> <li>• Event notification and uploading of snapshots/video clips via e-mail or FTP</li> </ul>	<ul style="list-style-type: none"> <li>• Supports multiple SMTP and FTP servers</li> <li>• Multiple event notifications</li> <li>• Multiple recording methods for easy backup</li> </ul>
Remote Management	<ul style="list-style-type: none"> <li>• Take snapshots/video clips and save to local hard drive</li> </ul>	<ul style="list-style-type: none"> <li>• Configuration interface accessible via web browser</li> </ul>
OS Support	<ul style="list-style-type: none"> <li>• Windows 2000/XP/Vista/Windows 7/8/iPhone/iPad/Android</li> </ul>	
D-ViewCam™ System Requirements	<ul style="list-style-type: none"> <li>• Operating System: Microsoft Windows 8/7/Vista/XP</li> <li>• Web Browser: Internet Explorer 7 or higher</li> </ul>	<ul style="list-style-type: none"> <li>• Protocol: Standard TCP/IP</li> </ul>
D-ViewCam™ Software Functions	<ul style="list-style-type: none"> <li>• Remote management/control of up to 32 cameras</li> <li>• Supports all management functions provided in web interface</li> </ul>	<ul style="list-style-type: none"> <li>• Viewing of up to 32 cameras on one screen</li> <li>• Scheduled motion triggered, or manual recording options</li> </ul>

## HD WDR Varifocal Outdoor Fixed Dome Network Camera

General	
Weight	• 1112 grams (2.45 lbs)
Power	• Input: 100 to 240 V AC, 50/60 Hz • Output: 12 V DC 1.5 A
Power Consumption	• 12.24 +/- 5% watts
Temperature	• Operating: -30 to 50 °C (-22 to 124 °F) • Storage: -20 to 70 °C (-4 to 158 °F)
Humidity	• Operating: 20% to 80% non-condensing • Storage: 5% to 95% non-condensing
Certifications	• CE • CE LVD • FCC • C-Tick
Dimensions	
Optional Accessories	
Part Number	Description
DCS-34-3	 <p>Bent Arm Mount 253 x 150 mm (9.96 x 5.9 inches), 770 grams (1.7 lbs)</p>

<sup>1</sup> microSD card not included



For more information: [www.dlink.com](http://www.dlink.com)

**D-Link European Headquarters.** D-Link (Europe) Ltd., D-Link House, Abbey Road, Park Royal, London, NW10 7BX.  
Specifications are subject to change without notice. D-Link is a registered trademark of D-Link Corporation and its overseas subsidiaries.  
All other trademarks belong to their respective owners. ©2014 D-Link Corporation. All rights reserved. E&OE.

Updated May 2014

**D-Link**<sup>®</sup>  
Building Networks for People