

DH-PTZ83240-HNF-WA

2MP 40x Starlight IR AI Network Positioning System



AI series products adopt the most advanced AI technologies, including deep learning algorithms that primarily target people and vehicles, which provides higher flexibility and accuracy for end-users. This enables the Dahua AI series to offer various advanced applications such as Face Recognition, ANPR, Metadata, People Counting, traffic data statistics, etc. The complete lineup of Dahua AI includes network (PTZ) cameras, network video recorders, servers, and more devices. Beyond seeing the world, the power of AI allows devices to perceive the environment and understand the world in a better way.

System Overview

With CNN algorithm, Dahua AI speed dome supports intelligent functions like tripwire and intrusion; and supports video structuralization function that recognizes motor vehicle, non-motor vehicle, and human to analyze their detailed information (plate number, vehicle brand, and human age and gender, etc.). With PFA algorithm, the speed dome can get clear images all the time during zooming. In addition, silent motor driver integrated circuits enable the speed dome to make faint sounds during rotation.

Functions

Perimeter Protection

Automatically filtering out false alarms caused by animals, rustling leaves, bright lights, etc. Enables system to act secondary recognition for the targets. Improving alarm accuracy.

Starlight Technology

For challenging low-light applications, Dahua's Starlight Ultra-low Light Technology offers best-in-class light sensitivity, capturing color details in low light down to 0.001 lux. The camera uses a set of optical features to balance light throughout the scene, resulting in clear images in dark environments.

PFA Technology

PFA technology has innovatively introduced new methods of judgment to ensure the accuracy and predictability of the direction of subject distance adjustment. The result is a set of advanced focusing algorithms. PFA ensures clarity of the image throughout the process of zooming and shortens focus time. The realization of PFA technology substantially improves user experience and increases product value.

- 1/1.8" 2Megapixel CMOS
- Powerful 40x optical zoom
- Starlight technology
- Max. 25/30fps@1080P
- IR distance up to 400m
- Deep-learning-based auto tracking and perimeter protection
- Auto-tracking and IVS
- IP67



Environmental

Dahua cameras operate in extreme temperature environments, rated for use in temperatures from -40 °C to +70 °C (-40 °F to +158 °F) with 95% humidity. Subjected to rigorous dust and water immersion tests and certified to the IP67 Ingress Protection rating makes it suitable for demanding outdoor applications.

Protection

The camera allows for ±25% input voltage tolerance, suitable for the most unstable conditions for outdoor applications. Its 6KV lightning rating provides effective protection for both the camera and its structure against lightning.

Interoperability

The camera conforms to the ONVIF (Open Network Video Interface Forum) specifications, ensuring interoperability between network video products regardless of manufacturer.

Wide Dynamic Range

The camera achieves vivid images, even in the most intense contrast lighting conditions, using industry-leading wide dynamic range (WDR) technology. For applications with both bright and low lighting conditions that change quickly, True WDR (120 dB) optimizes both the bright and dark areas of a scene at the same time to provide usable video.

Auto-tracking

This feature controls the pan/tilt/zoom actions of the camera to automatically track an object in motion and to keep it in the scene. The tracking action can be triggered manually or automatically by defined rules. Once a rule is triggered, the camera can zoom in and track the defined target automatically.

Smart H.265+

Smart H.265+ is the optimized implementation of the H.265 codec that uses a scene-adaptive encoding strategy, dynamic GOP, dynamic ROI, flexible multi-frame reference structure and intelligent noise reduction to deliver high-quality video without straining the network. Smart H.265+ technology reduces bit rate and storage requirements by up to 70% when compared to standard H.265 video compression.

Technical Specification

Camera

Image Sensor	1/1.8" CMOS
Max. Resolution	2MP
Effective Pixels	1920(H)×1080 (V)
ROM	32GB
RAM	4GB
Electronic Shutter Speed	1/1–1/30000s
Scanning Mode	Progressive Scanning
Minimum Illumination	Color: 0.001Lux@F1.4 B/W: 0.0001Lux@F1.4 0Lux (IR light on)
IR Distance	400m(1312.34ft)
IR On/Off Control	Zoom Prio/Manual/SmartIR
IR LED Number	10
Wiper	Support

Lens

Focal Length	5.6 mm–223 mm			
Aperture	F1.4–F4.5			
Field of View	H: 1.8°~70.3°; V: 1.2°~35°; D: 2.4°~66.9°			
Optical Zoom	40x			
Focus Control	Auto/Semi-Auto/Manual			
Close Focus Distance	0.5 m–2 m			
Iris Control	Auto			
DORI Distance	Detect	Observe	Recognize	Identify
	2346.7 m (7697.18 ft)	938.7 m (3.78.9ft)	469.3 m (1539.4 ft)	234.7m (769.7 ft)

PTZ

Pan/Tilt Range	Pan: 0°–360°; Tilt: -90°~45°
Manual Control Speed	Pan: 0.1°–160°/s; Tilt: 0.1°–60°/s
Preset Speed	Pan: 160°/s; Tilt: 60°/s
Presets	300
Tour	8(up to 32 preset per tour)
Pattern Number	5
Scanning Number	5
Speed Adjustment	Support
Power-off Memory	Support
Idle Motion	Preset/Tour/Pattern/Scanning
Protocol	DH-SD Pelco-P/D(Auto recognition)

Artificial Intelligence

Metadata	Support human body, human face, motor vehicle and non-motor vehicle image capture and attributes extracton.
----------	-------------------------------------------------------------------------------------------------------------

Perimeter Protection	Tripwire and intrusion. Support alarm triggering by target types (human and vehicle). Support filtering false alarms caused by animals, rustling leaves, bright lights, etc.
Auto Tracking	Support
Face Recognition	Support

General Intelligence

Event Trigger	Motion detection, video tampering, scene changing, Network disconnection, IP address conflict, illegal access, and storage anomaly.
General IVS	Object Abandoned/Missing

Video

Compression	H.265, H.264Main/High/Baseline Profile, MJPEG(Sub Stream)
Streaming Capability	3 Streams
Resolution	1080P (1920×1080); 1.3M(1280×960); 720P (1280×720); D1 (704×576); CIF (352×288)
Frame Rate	Main stream:1080P/1.3M/720P(1–25/30fps) Sub stream 1: D1/CIF(1–25/30fps) Sub stream 2: 1080P/1.3M/720P(1–25/30fps), D1/ CIF(1–25/30fps)
Bit Rate Control	Variable Bit Rate/Constant Bit Rate
Bit Rate	H.264: 1792 Kbps–9216 Kbps H.265: 512 Kbps–5632 Kbps
Day/Night	Support
BLC	Support
WDR	120dB
HLC	Support
White Balance	Auto/Indoor/Outdoor/Tracking/Manual/Sodium lamp/ Natural/Street lamp
Gain Control	Auto/Manual
Noise Reduction	2D/3D
Motion Detection	Support
Region of Interest (RoI)	Support
Electronic Image Stabilization (EIS)	Support
Defog	support
Digital Zoom	16x
Flip	180°
Privacy Masking	Up to 24 areas

Function

CVI Mode	CVBS
----------	------

Audio

Audio Compression	G.711A; G.711Mu; G.726; AAC; G.722.1; G.723; G.729; PCM; MPEG2-Layer2
-------------------	-----------------------------------------------------------------------

Port

Ethernet	1 RJ-45 Port 10/100Base-T
Audio In	1

Audio Out	1
Alarm	7 in and 2 out
Analog Output	1 BNC
RS-485	1

Network

Protocol	IPv4; IPv6; HTTP; HTTPS; 802.1x; Qos; FTP; SMTP; UPnP; SNMPv1/v2c/v3(MIB-2); DNS; DDNS; NTP; RTSP; RTP; TCP; UDP; IGMP; ICMP; DHCP; PPPoE
Interoperability	ONVIF Profile S&G; CGI
Streaming Method	Unicast/Multicast
Max. User Access	20 (Total bandwidth 64M)
Edge Storage	FTP; Micro SD card (256G)
Browser	IE7 and newer versions Chrome 42 and older versions Firefox 52 and older versions Safari
Management Software	Smart Player Smart PSS DSS Easy4ip
Smart Phone	IOS/Android/Windows Phone

Electrical

Power Supply	AC24V/8.35A±25%
Power Consumption	39W 70W (IR light on, PTZ, wiper, heater)

Environment

Operating Conditions	-40°C ~ 70°C (-40°F to +158°F)
Operating Humidity	≤95%RH
Ingress Protection	IP67; TVS 6000V lightning protection; surge protection

Construction

Dimensions	210.7mm×366.5mm×498.7mm (8.30"×14.43"×19.63")
Weight	Net Weight: 14 kg (30.86 lb); Gross Weight: 19.77 kg (43.59 lb)

Ordering Information

Type	Model	Description
1080P Camera	DH-PTZ83240-HNF-WA	2MP 40x Starlight IR AI Network Positioning System
	PTZ83240-HNF-WA	2MP 40x Starlight IR AI Network Positioning System
	DH-PTZ83240N-HNF-WA	2MP 40x Starlight IR AI Network Positioning System
	PTZ83240N-HNF-WA	2MP 40x Starlight IR AI Network Positioning System
Accessories	DH-PFB741W(Bracket)	Wall Mount
	DH-PFB741W(Junction box)	Wall Mount
	AC24V/8A	Power Adapter

Accessories

Optional:



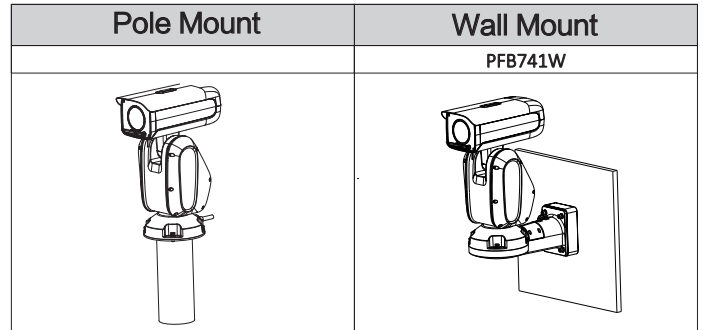
DH-PFB741W (Junction box) Wall Mount



DH-PFB741W (Bracket) Wall Mount



AC24V/8A Power Adapter



Dimensions (mm[inch])

