

DH-TPC-PT8621A

Thermal Network Hybrid Pan & Tilt Camera



- 640×512 VOx uncooled thermal sensor technology
- Athermalized lens(thermal), focus-free
- 1/2.8" 2 megapixel progressive scan CMOS
- Support detection and alarm of fire and smog
- Max 140°/s pan speed, 360° endless pan rotation
- Up to 300 presets, 5 auto scan, 8 tour, 5 pattern
- 7/2 alarm in/out
- Micro SD memory, IP66



System Overview

Featuring a dual lens Pan and Tilt camera, this series provides an all-in-one solution that is especially beneficial for long distance video surveillance in outdoor applications. Together with Dahua Thermal and Starlight technology, the camera's long range capabilities are able to be utilized even at night. The series combines one thermal camera for monitoring in total darkness and one camera with Starlight functionality and a motorized lens for confirming details up close.

Functions

Uncooled Vox Technology

Dahua thermal cameras use uncooled Vox sensor technology. Their small size and better performance make them a cost-effective solution for thermal security.

High Sensitivity

High thermal sensitivity (<40mK) allows cameras to capture more image details and temperature difference information.

Fire Detection & Alarm

With built-in fire detection functionality, the camera has the ability to detect fires from long range. Because thermal cameras are sensitive to temperature, they provide higher fire detection accuracy than standard cameras, making them particularly fit for applications such as forest fire prevention.

Intelligent Video System (IVS)

IVS is a built-in video analytics algorithm that delivers intelligent functions to monitor a scene for tripwire violations, intrusion detection, and abandoned or missing objects. A camera with IVS quickly and accurately responds to monitoring events in a specific area.

Environmental

With a temperature range of -40 °C to +70 °C (-40 °F to +158 °F), the camera is designed for extreme temperature environments. Subjected and certified to rigorous dust and water immersion tests, the IP66 rating makes it suitable for demanding outdoor applications. For environments with rain, sleet, snow and fog, an integrated wiper(optional) provides users with clear visibility at all times.

Protection

The camera Supporting wide range voltage input(100–300V AC), suitable for the most unstable conditions for outdoor applications. Its 6 kV lightning rating provides effective protection for both the camera and its structure against lightning.

Technical Specification				
Thermal				
Detector Type		Vanadium oxide uncooled focal plane detector		
Effective Pixels		640x512		
Pixel Pitch		17µm		
Spectral Range		8µm–14µm		
Thermal Sensitivity (NETD)		≤40mK		
Focal Length		35 mm; 50 mm; 75 mm; 100 mm		
Field of View		35 mm: horizontal: 11.1°, vertical: 8.3° 50 mm: horizontal: 12.4°, vertical: 9.9° 75 mm: horizontal: 5.2°, vertical: 3.9° 100 mm: horizontal: 3.9°, vertical: 2.9°		
Focus Mode		Fixed-focal		
Aperture		35 mm, 50 mm, 75 mm: F1.0 100mm: F1.4; F1.2		
Detection Distance	Lens	Detection	Recognition	Identification
	35 mm	Vehicle: 2745 m (9005.91 ft) Human: 1029 m (3375.98 ft)	Vehicle: 686 m (2250.66 ft) Human: 265 m (869.42 ft)	Vehicle: 343 m (1125.33 ft) Human: 132 m (433.07 ft)
	50 mm	Vehicle: 3922 m (12867.45 ft) Human: 1471 m (4826.12 ft)	Vehicle: 980 m (3215.22 ft) Human: 378 m (1240.76 ft)	Vehicle: 490 m (1607.61 ft) Human: 189 m (620.08 ft)
	75 mm	Vehicle: 5882 m (19297.90 ft) Human: 2206 m (7237.53 ft)	Vehicle: 1471 m (4826.12 ft) Human: 567 m (1860.24 ft)	Vehicle: 735 m (2411.42 ft) Human: 284 m (931.76 ft)
	100 mm	Vehicle: 7843 m (25731.63 ft) Human: 2931 m (9616.14 ft)	Vehicle: 1961 m (6433.73 ft) Human: 756 m (2480.31 ft)	Vehicle: 980 m (3215.22 ft) Human: 378 m (1240.16)
Digital Detail Enhancement (DDE)		Yes		
Thermal Image Stabilization		Electronic Image Stabilization		
Digital Zoom		24x		
AGC		Auto; manual		
Noise Reduction		2D NR; 3D NR		
Color Palettes		18 color modes selectable such as Whitehot/Blackhot/Ironrow/Icefire.		
Visible				
Image Sensor		1/2.8 inch CMOS		
Max. Resolution		1920x1080		
Visible Effective Pixels		2MP		
Min. Illumination		Color: 0.016 Lux@F1.8 (1/30s, 30IRE) Black & white: 0.0175 Lux@F1.8 (1/30s, 30IRE) 0 Lux (IR on)		
AGC		Auto; manual		
Noise Reduction		2D NR; 3D NR		
S/N Ratio		≥ 55 dB		
White Balance		Auto/manual/indoor/outdoor/tracking/sodium lamp/street lamp/natural		
Defog		Optical Defog		
Visible Image Stabilization		Optical Image Stabilization		
Electronic Shutter Speed		1/30000s–1/3s		
BLC		Yes		
WDR		84 dB; DWDR		
HLC		Yes		
Digital Zoom		16x		
Day/Night		Auto (ICR); color/B/W		
Iris		Auto		
Focus Mode		Auto; semi-auto; manual		
Focal Length		6.6 mm–330 mm		
Field of View		6.6 mm: horizontal: 42.34°; vertical: 24.68°; diagonal: 48.06° 300 mm: horizontal: 1.10°; vertical: 0.62°; diagonal: 1.27°		
DORI Distance		D: 4137 m (13690.94 ft); O: 1655 m (5249.79 ft); R: 827 m (2713.25 ft); I: 413 m (1354.99 ft)		
Close Focus Distance		1200 mm (47.24 inch)		
Optical Zoom		50x		
Aperture		F1.8–F6.5		
Audio and Video				
Video Compression		H.265; H.264M; H.264H; H.264B; MJPEG		
Resolution		Thermal: SXGA(1280x1024) /720P(1280x720) / 640x512/320x256 Visual: 1080P (1920x1080)/720P (1280x720)/D1 (704x576/704x480) /CIF (352x288/352x240)		
Video Frame Rate		Thermal: 50Hz: Main stream (1280x1024@25fps/1280x720 @25fps/640x512@25fps), sub stream (640x512@25fps/320x256@25fps) 60Hz: Main stream (1280x1024@30fps/1280x720 @30fps/640x512@30fps), sub stream (640x512@30fps/320x256@30fps) Visual: 50Hz: Main stream (1920x1080@25fps/1280x720@25fps/704x576@25fps), sub stream (704x576@25fps/352x288@25fps) 60Hz: Main stream (1920x1080@30fps/1280x720@30fps/704x480@30fps), sub stream (704x480@30fps/352x240@30fps)		
Audio Compression		G.711a; G.711mu; AAC; PCM		

Image Encoding Format	JPEG
PTZ	
Pan/Tilt Range	Pan: 0°–360° endless;
Manual Control Speed	Pan: 0.1°–140°/s; Tilt: 0.1°–50°/s
Preset Speed	Pan: 140°/s; Tilt: 50°/s
Preset	300
PTZ Mode	5 Auto Scan, 8 Tour, 5 Pattern, Auto Pan
Speed Setup	Human-oriented focal length/ speed adaptation
Power Up Action	Auto restore to previous PTZ and lens status after power failure
Idle Motion	Activate Preset/ Scan/ Tour/ Pattern if there is no command in the specified period

General Function

Two-way Talk	Yes
Network Protocol	HTTP; TCP; ARP; RTSP; RTP; UDP; RTCP; SMTP; FTP; DHCP; DNS; DDNS; PPPOE; IPv4/v6; SNMP; QoS; UPnP; NTP
Region of Interest (ROI)	Yes
Edge Storage	FTP; Micro SD card (256G, hot plug)
Interoperability	ONVIF; GB/T28181; CGI; PSIA; Dahua SDK
Browser	IE: IE8 and the later, and explorer with IE core Google: 42 and the earlier Firefox: 42 and the earlier Safari: 10 and the earlier
User/Host	20 channels at most (the total bandwidth 64M)
Security	Authorized username and password; attached MAC address; encrypted HTTPS; IEEE 802.1x; controlled network access
User Management	Support 20 users at most and users are classified as two groups--administrator group and user group.
Malfunction Detection	Network disconnection; IP addresses conflict; SD card error (status or storage space);

General AI Functions

General IVS Analytics	Tripwire/intrusion
-----------------------	--------------------

Professional and Intelligent

Advanced Intelligent Functions	Fire detection & alarm
Cold/Hot Spot Trace	Auto tracking of the hottest spot and the coldest spot in the thermal image

Port

Network	1 10M/100M Ethernet port (RJ-45)
Alarm Input	7 channels
Alarm Output	2 channels
Audio Input	1 channel
Audio Output	1 channel

RS-485	1 channel
Power	
Power Supply	24V/5A±15% AC
Power Consumption	Basic: 25W (LED off) Maximum: 65W (heater on and LED on) and 52W (LED off)

Environment

Operating Temperature	-40°C to +70°C (-40°F to 158°F)
Operating Humidity	≤95%
Self-Adaptive	Auto heating to protect the chip under the cold environment

Physical Characteristics

Protection Grade	IP66, anti-surge 6KV, anti-elctrostatic 8KV (touched by objects), anti-elctrostatic 15KV (air)
Dimensions	502.8 mm×248.4 mm×344.6 mm (19.80"×9.78"×13.57")
Packaging Dimensions	715mm×615mm×402mm (28.15"×24.21"×15.83")
Net Weight	<15kg (<33.07lb)
Gross Weight	<20kg (<44.09lb)
Power Adaptor	Contained
Lens	Contained

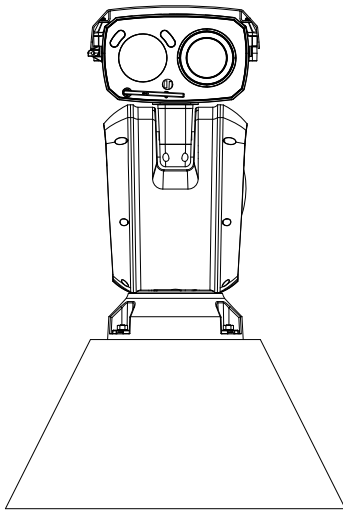
Certification

Certifications	CE (EN 60950:2000); FCC (FCC Part 15 SubpartB)
----------------	---

Ordering Information

Type	Part Number	Description
DH-TPC-PT8621A	DH-TPC-PT8621AP-B35Z50	Thermal: 35 mm lens Visible: 6.6 mm–330 mm lens (With LED)
	DH-TPC-PT8621AN-B35Z50	
	DH-TPC-PT8621AP-B50Z50	Thermal: 50 mm lens Visible: 6.6 mm–330 mm lens (With LED)
	DH-TPC-PT8621AN-B50Z50	
	DH-TPC-PT8621AP-B75Z50	Thermal: 75 mm lens Visible: 6.6 mm–330 mm lens (With LED)
	DH-TPC-PT8621AN-B75Z50	
	DH-TPC-PT8621AP-B100Z50	Thermal: 100 mm lens Visible: 6.6 mm–330 mm lens
	DH-TPC-PT8621AN-B100Z50	
	DH-TPC-PT8621AP-B100Z50-LED	Thermal: 100 mm lens Visible: 6.6 mm–330 mm lens (With LED)
	DH-TPC-PT8621AN-B100Z50-LED	

Installation Diagram



Dimensions (mm[inch])

