

# DDZ4010-YY/HS/HD DOMERA®

High-Speed IP Network PTZ Dome Camera, Full HD, 1080p, 10× Optical Zoom, Auto-focus, Day/Night, PoE+

**DOMERA®** High-Definition



DOMERA® High-Definition HS is a modular Full HD high-speed PTZ dome camera system.

The high-resolution IP network PTZ dome camera DDZ4010-YY/HS/HD with 10× optical zoom, auto-focus and Dallmeier Cam\_inPIX® technology provides Full High-Definition video (1080p) and is available in three mounting variants (in-ceiling mount, surface mount, weather-proof).

## Features

- 1/3" Full HD CMOS image sensor with Cam\_inPIX® technology
- Pure Digital Signal Processing
- High-speed PTZ dome
- 10× optical zoom
- 12× digital zoom
- ICR<sup>1)</sup> function for Day/Night switching
- Comprehensive set of image optimization functions like AWB, AGC, BLC and Slow Shutter
- Auto-focus with manual override
- Resolution: SD (NTSC/PAL), HD (up to 1080p)
- Video compression: H.264, MJPEG
- Frame rate up to 60 fps<sup>2)</sup>
- Simultaneous Dual-Streaming (video compression, resolutions, frame and bit rates of each stream independently adjustable)
- Privacy Zone Masking (hiding/masking of up to 8 protected areas)
- Motion detection<sup>3)</sup> with selectable sensitivity
- Alarm notification via DaVid protocol, e-mail and FTP image upload
- Bidirectional audio (intercom)
- Local video memory<sup>3)</sup> (USB/SDHC port)
- 64 MB RAM video buffer
- High-performance Pan/Tilt/Zoom mechanism
- 248 programmable preset positions, 16 programmable scans
- 8 programmable tours, 8 programmable pattern
- Voltage supply (PTZ camera) with PoE+ or 24/28 V AC
- Three available mounting variants (IP I/O interface integrated): in-ceiling mount (IM), surface mount (SM) or weather-proof (WM)
- Easy and quick installation
- Vandal-resistant (IK10) housing (weather-proof variant)
- IP67 (weather-proof variant)
- ONVIF compliant
- DIN EN 50130-4 compliant

| Variants             |  |
|----------------------|--|
| <b>000486.000464</b> | <b>DDZ4010-IM/HS/HD DOMERA®</b><br>High-speed IP network PTZ dome camera, Full HD, 1080p, 10× optical zoom, in-ceiling mount variant |
| <b>000487.000463</b> | <b>DDZ4010-SM/HS/HD DOMERA®</b><br>High-speed IP network PTZ dome camera, Full HD, 1080p, 10× optical zoom, surface mount variant    |
| <b>000481.000464</b> | <b>DDZ4010-WM/HS/HD DOMERA®</b><br>High-speed IP network PTZ dome camera, Full HD, 1080p, 10× optical zoom, weather-proof variant    |

| Options       |   |
|---------------|---|
| <b>000401</b> | <b>Wall Mount Bracket Indoor</b><br>Black, for DOMERA® HD surface mount variant   |
| <b>001035</b> | <b>Tinted Bubble</b><br>White cover ring, for DOMERA® SD/HD in-ceiling mount variant  |
| <b>001109</b> | <b>Wall Mount Bracket Outdoor</b><br>White, for weather-proof housing   |
| <b>001111</b> | <b>Pole Mount Bracket</b><br>Outdoor, white, for weather-proof housing  |
| <b>001112</b> | <b>Corner Mount Bracket</b><br>Outdoor, white, for weather-proof housing  |
| <b>003847</b> | <b>Junction Box DJB-115W</b><br>Outdoor, white, for weather-proof housing   |
| <b>001115</b> | <b>Mounting Plate</b><br>Outdoor, white,<br>for Wall Mount Bracket Outdoor (surface mounting),<br>for Ceiling Mount Bracket (surface mounting),<br>for Junction Box DJB-115W (corner and pole mounting) |
| <b>001116</b> | <b>Roof Mount Bracket<sup>4)</sup></b><br>Swan neck, outdoor, white, for weather-proof housing  |
| <b>001117</b> | <b>Ceiling Mount Bracket</b><br>Outdoor, white, for weather-proof housing   |
| <b>001431</b> | <b>EvC-1</b><br>High-Speed Ethernet data transmission via coaxial cable   |
| <b>002192</b> | <b>VMC Joystick (with 200 cm USB cable)</b><br>Joystick module of the VMC-1 control panel as stand-alone device   |
| <b>004316</b> | <b>PoE+ Power Supply 1-Port 30W (Midspan)</b>   |

1) ICR = IR Cut Filter Removable  
2) Depending on the set resolution

3) Function in preparation  
4) Not compatible with item number 003847

# DDZ4010-YY/HS/HD DOMERA®

High-Speed IP Network PTZ Dome Camera, Full HD, 1080p, 10× Optical Zoom, Auto-focus, Day/Night, PoE+

## Specifications

### Sensor

|                             |   |
|-----------------------------|---|
| Type                        | 1/3" Full High-Definition CMOS image sensor with Cam_inPIX® technology    |
| Effective pixels            | Approx. 2 000 000 (2 Megapixels)  |
| Signal processing           | Pure Digital Signal Processing  |
| Image capture               | Progressive Scan / Interlaced   |
| Minimum illumination        | ICR <sup>5)</sup> Off: 2lux (F1.8, 30IRE)<br>ICR On: 0.2lux (F1.8, 30IRE) |
| Signal to noise ratio (SNR) | More than 50dB  |

### Lens

|                          |   |
|--------------------------|---|
| Type                     | F1.8–F2.1 / f=5.1 mm–51.0 mm (10× optical zoom) |
| Aperture control         | Autoiris  |
| Horizontal angle of view | Approx. 50.0° (wide end) to 5.4° (tele end)     |
| Minimum object distance  | 10 mm (wide end) to 800 mm (tele end)           |

### Functions

|                                       |  |
|---------------------------------------|--|
| Digital zoom                          | 12× (120× with optical zoom)   |
| Focus control                         | Auto-focus (AF sensitivity: Normal, Low), One-Push AF, Manual, Infinity mode (∞), AF near limit selectable |
| Day/Night switching                   | ICR function (adjustable switching threshold level)  |
| Black-and-white mode                  | Automatic (in Night mode), Manual (using Effects setting)  |
| Electronic (slow) shutter             | 1/2 to 1/10000 s (21 steps), slow shutter limit selectable   |
| Exposure control                      | Automatic (AE), Manual, Shutter Priority, Iris Priority, Bright  |
| Exposure compensation                 | –10.5 dB to +10.5 dB (15 steps, 1.5 dB increments)   |
| Gain control                          | Automatic (AGC)/Manual (–3 to +18 dB, 8 steps)   |
| White balance (WB)                    | Auto (AWB), Indoor, Outdoor, One-Push, Manual  |
| Gamma correction                      | Normal, Cinema Type 1, Cinema Type 2   |
| Backlight compensation (BLC)          | On/Off   |
| Flip function                         | Yes  |
| Privacy Zone Masking                  | Hiding/Masking of up to 8 protected areas (Block, Video Off, Mosaic)                                       |
| Effects                               | B/W (black-and-white), Negative  |
| Motion detection (VMD) <sup>6)</sup>  | With selectable sensitivity (5 levels)   |
| Alarm notification                    | Via DaVid protocol (Dallmeier Video Protocol) to PGuard advance, e-mail, FTP image upload                  |
| Alarm trigger                         | Contact IN status change, Contact OUT remote status change (via DaVid protocol), video signal loss         |
| Alarm actions                         | PTZ alarm action, Contact OUT status change  |
| Configuration IP I/O interface        | With web browser   |
| Configuration/control PTZ dome camera | Via OSD <sup>7)</sup> with SMAVIA Viewing Client   |
| Languages                             | English, German, French, Spanish, Italian  |

### PTZ Functions

|   |   |
|---|---|
| Pan/Tilt                                  | 360° continuous / 0° – 180°<br>Variable speed:<br>Pan: 120°/s, Tilt: 120°/s (Turbo: 420°/s)<br>Preset speed:<br>Pan: 420°/s, Tilt: 420°/s (±0,1°) |
| Programmable presets                      | 248 positions with camera status (16-character title)   |
| Programmable scans                        | 16 scans (including diagonal scans),<br>1 Auto Pan (360° continuous panning)  |
| Programmable tours                        | 8   |
| Programmable pattern                      | 8 (total up to 480 seconds)   |
| Alarm actions at Contact IN status change | Automatic execution of stored functions (presets, scans, tours or pattern),<br>Contact OUT status change  |

### Format and Encoding

|                                    |   |
|------------------------------------|---|
| Video standard                     | SDTV (PAL/NTSC), HDTV (SMPTE 296M, SMPTE 274M)  |
| Resolution SD                      | 4CIF (704 × 576), CIF (352 × 288), QCIF (176 × 144),<br>4SIF (704 × 480), SIF (352 × 240), QSIF (176 × 112),<br>VGA (640 × 480), QVGA (320 × 240),<br>1080p (1920 × 1080), 1080i (1920 × 1080), HD H (1920 × 540), HD D (1440 × 720), 720p (1280 × 720) |
| Resolution HD                      | H.264, MJPEG  |
| Video compression                  | MPEG-1/2 Layer 2, G.711, G.722.1  |
| Audio compression                  | Up to 60 fps at SD resolution and 720p<br>Up to 30 fps at 1080p, 1080i, HD H, HD D  |
| Frame rate                         | 0.25–8 Mbps, CBR (constant bit rate) or VBR (variable bit rate)   |
| Video bit rate                     | 32–160 kbps (MPEG-1/2 Layer 2), 64 kbps (G.711), 16 kbps (G.722.1)  |
| Audio bit rate                     | Simultaneous Dual-Streaming:<br>Video compression, resolutions, frame and bit rates of each stream independently adjustable<br>(maximum total frame rate of all streams 30 fps with maximum resolution)   |
| Video streaming                    | Progressive (full image)  |
| Transfer format                    | Unicast, Multicast  |
| Live streaming transmission method |   |

5) ICR = IR Cut Filter Removable

6) Function is in preparation.

7) OSD = On Screen Display

# DDZ4010-YY/HS/HD DOMERA®

High-Speed IP Network PTZ Dome Camera, Full HD, 1080p, 10× Optical Zoom, Auto-focus, Day/Night, PoE+

## Interfaces

|                    |   |
|--------------------|---|
| Audio IN (stereo)  | 1× 3.5mm phone jack (Line IN)   |
| Audio OUT (stereo) | 1× 3.5mm phone jack   |
| Contact IN         | 3×  |
| Contact OUT        | 1×  |
| Serial interface   | 1× RS485 (full duplex, half duplex)   |
| Local video memory | USB/SDHC port integrated <sup>8)</sup> (adapter for SDHC card separately available) |
| Ethernet           | 1× RJ45, 10BASE-T/100BASE-TX-PoE  |

## Protocols

|                       |   |
|-----------------------|---|
| Ethernet protocols    | IPv4, TCP, UDP, ARP, ICMP, DHCP, NTP, HTTP, RTSP, IGMP V2, FTP, SMTP, RTP, RTCP |
| SNMP support          | Yes   |
| PTZ control protocols | Dallmeier DCCP, Pelco D   |

## Miscellaneous

|                       |   |
|-----------------------|---|
| Video buffer          | 64 MB RAM ring storage (pre- and post alarm, network failure compensation)    |
| Programming interface | Open platform for integration into third-party systems using API and ActiveX* |
| ONVIF compliance      | Core Specifications 1.01 & 1.02   |

## Electrical Data

|                   |   |
|-------------------|---|
| Voltage supply    | PTZ camera: Power supply unit 1 with 24/28V AC ±10% (50/60Hz) or via PoE+   |
| PoE standard      | Fan/heater (weather-proof housing): Power supply unit 2 with 24 V AC (50/60 Hz), max. 3A  |
| Power consumption | IEEE 802.3at<br>In-ceiling mount variant: max. 25 W<br>Surface mount variant: max. 25 W<br>Weather-proof variant: max. 25 W (max. 89 W with fan/heater) |

## Mechanical Data

|                  |   |
|------------------|---|
| Dimensions       | In-ceiling mount variant: approx. Ø227 × H248 mm (Ø8.94 × H9.76 inches)<br>Surface mount variant: approx. Ø166 × H244 mm (Ø6.54 × H9.61 inches)<br>Weather-proof variant: approx. Ø258.5 × H330 mm (Ø10.18 × H12.99 inches) |
| Weight           | In-ceiling mount variant: approx. 2025 g (4.46 lb)<br>Surface mount variant: approx. 1755 g (3.87 lb)<br>Weather-proof variant: approx. 4425 g (9.76 lb)  |
| Colour           | In-ceiling mount variant: black housing, white cover ring<br>Surface mount variant: black<br>Weather-proof variant: white   |
| Bubble           | Clear   |
| Vandal-resistant | Yes (weather-proof variant)   |
| IK protection    | IK10 protection against external mechanical impacts (up to 20 joules, weather-proof variant)  |
| IP rating        | IP67 (weather-proof variant)  |

## Environmental Conditions

|                       |  |
|-----------------------|--|
| Operating temperature | In-ceiling mount variant: 0°C to +35°C (32°F to 95°F) (Indoor)<br>Surface mount variant: -10°C to +40°C (14°F to 104°F) (Indoor)<br>Weather-proof variant: -30°C to +50°C (-22°F to 122°F) (Outdoor) |
| Relative humidity     | 0%–90% RH, non-condensing  |

## Approvals/Certifications

|      |  |
|------|--|
| Type | CE, FCC, UL, ACA, UVV "Kassen" (DGVU Test), CB, DIN EN 50130-4 compliant |
|------|--|

8) Function is in preparation.

All trademarks identified by ® are registered trademarks of Dallmeier electronic.

All trademarks identified by \* are trademarks or registered trademarks of the following owners: ActiveX of Microsoft Corporation headquartered in Redmond, Washington, USA

# DDZ4010-YY/HS/HD DOMERA®

High-Speed IP Network PTZ Dome Camera, Full HD, 1080p, 10× Optical Zoom, Auto-focus, Day/Night, PoE+

## Dimensions

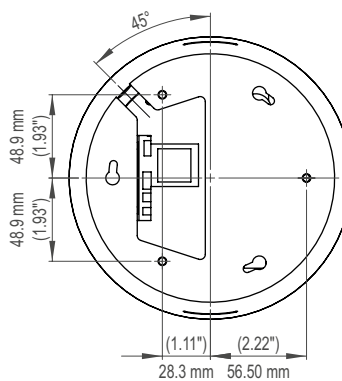
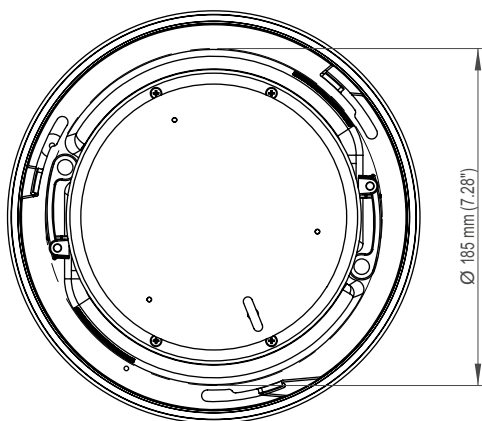
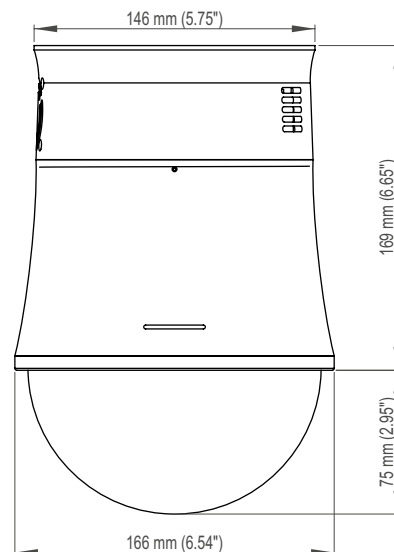
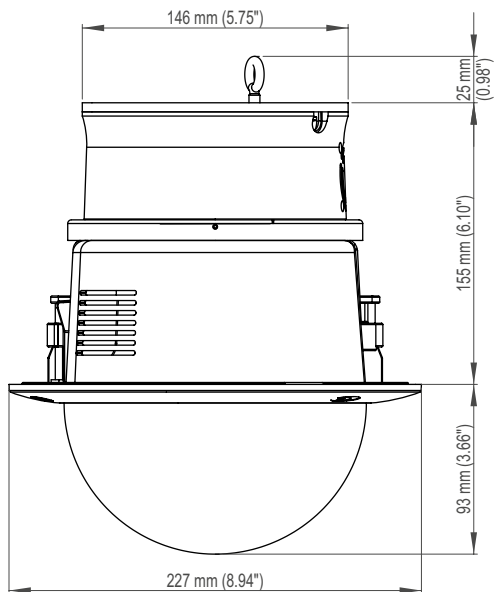


Fig. 1: In-ceiling mount variant

Fig. 2: Surface mount variant

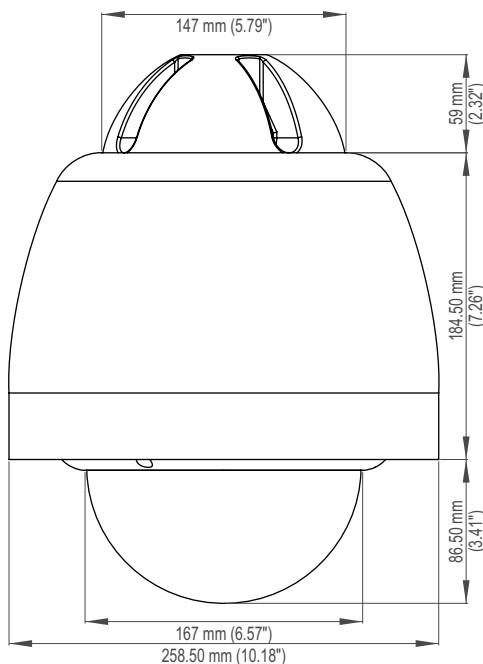


Fig. 3: Weather-proof variant