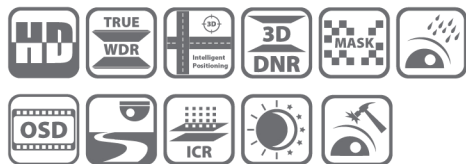


DP-22AE7123TI-A

720P Analog IR PTZ Dome Kamera

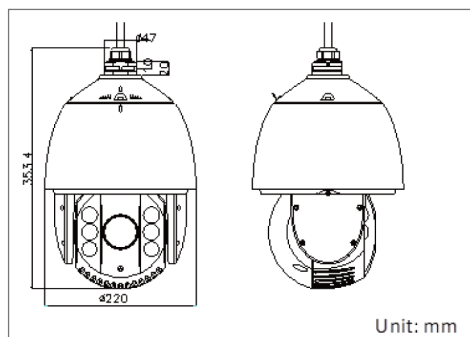
TURBO HD



Key features

- 1.3MP CMOS Image Sensor
- 720P Video Output
- 23X optical zoom, 16X digital zoom
- Up the Coax function
- Privacy Masking, 3D DNR
- 3D intelligent positioning
- Up to 120m IR distance

Dimensions



DP-22AE7123TI-A	
Camera	
Image Sensor	1 / 3" CMOS
Effective Pixel	Max. Image Resolution: 1280(H) × 720(V)
Signal System	PAL / NTSC
Min. Illumination	Color: 0.02Lux@(F1.6,AGC ON) B/W: 0.002Lux@(F1.6,AGC ON) 0 lux with IR
White Balance	Auto / Manual / ATW / Indoor / Outdoor
AGC	Auto / Manual
S / N Ratio	≥ 50dB
3D DNR	Support
Backlight Compensation	Support
Shutter Time	PAL: 1-1 / 10,000s ; NTSC: 1-1 / 10,000s
Day & Night	IR Cut Filter
Digital Zoom	16x
Privacy Mask	8 privacy masks programmable; a maximum of 8 zones can be masked simultaneously on the same video screen
Focus Model	Auto / Semiautomatic / Manual
Lens	
Focal Length	4-92mm, 23X
Zoom Speed	Approx.3.0s(Optical Wide-Tele)
Angle of View	49-2.2 degree(Wide-Tele)
Min. Working Distance	10-1000mm (Wide-Tele)
Aperture	F1.6-F3.7
Pan and Tilt	
Pan Range	360° endless
Pan Speed	Pan Manual Speed: 0.1°-160° / s; Pan Preset Speed: 240° / s
Tilt Range	-15°-90° (Auto Flip)
Tilt Speed	Tilt Manual Speed: 0.1°-120° / s; Tilt Preset Speed: 200° / s
Proportional Zoom	Rotation speed can be adjusted automatically according to zoom multiples
Number of Preset	256
Patrol	8 patrols, up to 32 presets per patrol
Pattern	4 patterns, with the total recording time not less than 10 minutes
Power-off Memory	Support
Park Action	Preset / Patrol / Pattern / Pan scan / Tilt scan / Frame Scan / Random scan / Panorama scan
PTZ Position Display	On / Off
Preset Freezing	Support
Scheduled Task	Preset / Patrol / Pattern / Pan scan / Tilt scan / Frame Scan / Random scan / Panorama scan
RS-485 communication diagnosis	Support
Infrared	
IR Distance	120m
IR Intensity	Automatically adjusted, depending on the zoom ratio
Input / Output	
Monitor Output	1 turbo HD720p output
RS-485 Interface	Half-duplex mode; Self-adaptive HIKVISION, Pelco-P, Pelco-D protocol
UTC function	Self-adaptive PELCO_C, HIKVISION_C(need UTC controller)
General	
Menu Language	English, Chinese
Power	24VAC(for -A moel) Max. 30W(IR: 9W, Heater: 6W)
Working Temperature / Humidity	-30 °C-65°C(-22°F-149°F)(outdoor dome) / -10°C-50°C(14°F-122°F)(indoor dome) 90% or less
Protection Level	IP66 standard (outdoor dome) TVS 4,000V lightning protection, surge protection and voltage transient protection
Mounting	Various mounting modes optional
Dimensions	φ220×353.4mm (φ8.66"×13.91") (Outdoor)
Weight (approx.)	4.5kg(9.92 lbs)
Mount Option (only suitable for outdoor dome)	Long-arm wall mount: DS-1602ZJ; Corner mount: DS-1602ZJ-corner; Pole Mount: DS-1602ZJ-pole; Power box mount: DS-1602ZJ-box; Swan-neck mount: DS-1619ZJ