

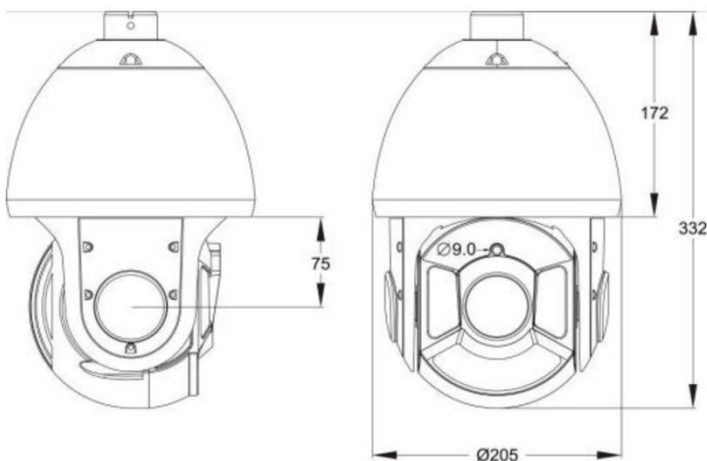
Dynacom NHQ33IRZ

IR LED Speed Dome PTZ HD IP Camera

■ Key features

- 1/2.8" Progressive Scan CMOS
- 3 Megapixels (2048 x 1536 pixels)
- 30X Optical Zoom, 16X Digital Zoom Auto Focus
- 3D DNR (Digital Noise Reduction)
- True Day & Night (ICR)
- Privacy Video Mask feature
- Multiple Video Stream (H.264/MJPEG)
- H.264 High/Main/Baseline Profile, MJPEG codecs
- Micro SD recording with max 64GB SDHC card
- Waterproof (IP67) and Vandalproof (IK10)
- True WDR (Wide Dynamic Range)
- ONVIF Profile S compatible

■ Dimensions



Dynacom NHQ33IRZ - IR LED Speed Dome PTZ HD IP Camera

Camera		NHQ33IRZ
Image Sensor		1/2.8" Progressive Scan CMOS
Effective Pixels		3M (2048x1536)
Minimum Illumination	Color	0,01 lux
	B/W	0,001 lux / IR ON 0 lux
Shutter Speed		1/25 ~ 1/10000 sec.
Lens		
Lens		Motorized
Focal Length		4.3-129mm
FOV		70.5°- 3.2 °
Optic Zoom		30x
Digital Zoom		16x
Operation		
Pan/Tilt		Pan 0-360° ,Tilt-10-90°
Pan/Tilt speed		Pan 0.01-180°/s, Tilt 0.01-90°/s, Preset Speed 90°/s
Preset		400
Tour		32
Scan		12
Track		6
Video Mask		24 Areas
Auto Flip / Rotate		Image / Mechanical / Off
Wide Dynamic Range		120dB
Digital Noise Reduction	2D	On / Off
	3D	On / Off
Day / Night: IR Cut Filter		On / Off
HLC		Support
ROI		Support
Defog		Support
Alarm Trigger		Motion, Intrusion, Line Crossing, Tamper, Network disconnect, Recording alarm, I/O alarm
Image Setting		Rotate Mode, Saturation, Brightness, Contrast, Sharpness
Network		
Interface		1 Ethernet (10/100 Base-Tx) RJ-45 Connector
Video Compression		H.264 High/Main/Baseline Profile, MJPEG
Bitrate (CBR/VBR)		100 Kbps-12 Mbps adjustable
Video Streaming		MJPEG/H.264 3M @25/30 fps
Network Protocols		IPv4/v6, HTTP,HTTPS, TCP, UDP, RTP, RTSP, SNMP, ICMP, IGMP, DNS, DynDNS, DHCP, NTP, PPPoE, ONVIF, Unicast and Multicast support.
Security		User security authentication, Reset, Hardware WatchDog
Built in Web Server		Support / Dynamic IP / Static IP
Supported web browser		Internet Explorer (6.0+) / Chrome / Firefox / Safari
Web language		English / Italian / Portuguese / Chinese / Turkish / Spanish
Alarm	In	7
	Out	2
Audio	In	1
	Out	1
Audio Compression		G.711, RAW_PCM
BNC Output		Support
Reset Button		Support
RS485		Support
Edge Storage		Micro SD/SDHC/SDXC card slot max 64GB
Mechanical		
Working Distance		120 m
Built-in IR Illuminator*	Wavelength	850 nm
	Number of LEDs	8 pcs
Connector		Alarm, Power, Ethernet, BNC, Audio, Reset
General		
Operating Temperature		-40 °C – 60 °C
Operating Humidity		0% - 90% RH
Ingress Protection		IP67/IK10
Product Dimensions		Ø205x332mm
Product Weight		4300g
Power Source		AC 24V / PoE+ (IEEE 802.3at)
Power Consumption		Max. 40W
Regulatory		CE / FCC