

**HD Real time H.264 Speed Dome 33x zoom**



**NHQ33IR 2 Megapixel IR LED 33x zoom Speed Dome Camera**

- Support 30 fps @ 1920\*1080 resolution real-time encoding
- 33x optical zoom and 10x digital zoom, total 330x zoom
- High Powered Super Flux IR LEDs x 12pcs
- H.264, M-JPEG, JPEG video encoding compression
- High-performance Build in 3A (AWB, AF, AE)
- Wide Dynamic Range (WDR)
- Digital Noise Ratio 3DNR
- Can support multi-viewer to access concurrently
- Support bi-directional time audio transmission
- Support network self-adapting technology to adjust video frame rate automatically according to the network bandwidth
- Support privacy protection mode, motion detection and sensor alarm functions
- Auto-retrieve function and auto-connection network
- ONVIF supported

**Various Image Resolutions**

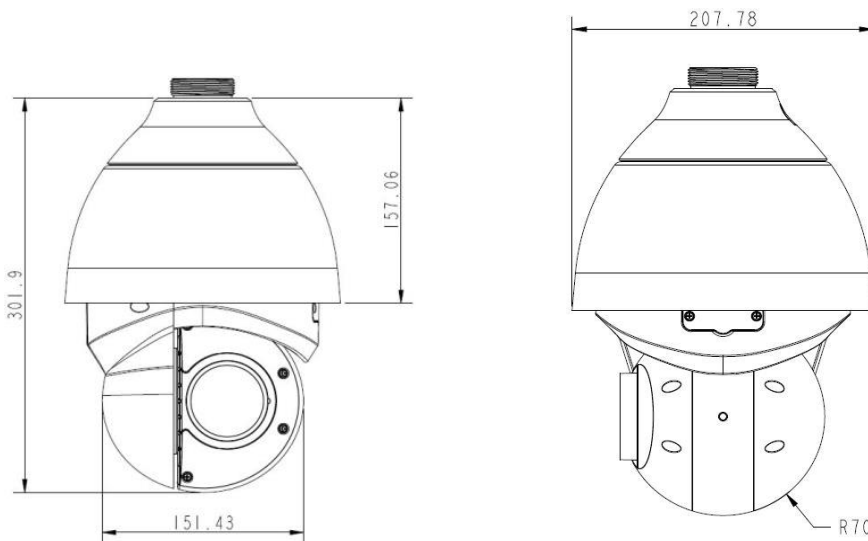
Dynacom HD Network camera supports various resolutions simultaneously for various user applications.



QVGA 320\*240 1.3M 1280\*1024

VGA 640\*480

SVGA 800\*600



**ISS**  
**Tops all the Mobile Application.**  
iPhone / iPad / Android System

**IVA**  
Intelligent Video Analytics

Motion Detection

Tamper Detection

Privacy Mask

**ICR IR-Cut Filter Removable**  
Infrared filter, Day and Night IR

Day mode with ICR      Day mode without ICR      Night mode with ICR

**H. 264**

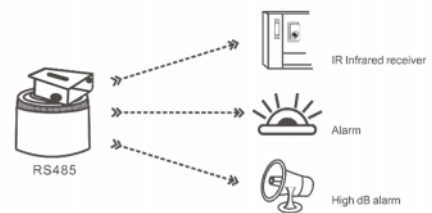
Compression  
Experience The Difference  
Bandwidth/Compressed File Size



1280x720@30fps



**Digital I/O** for External Sensor and Alarm



Comparison of different **resolution**



4:3 Normal View

16:9 2 Mega-pixel Full HD View

**2Way Audio Supported**

\* Design and specification are subject to change without notice.

## Features

Model	NHQ33IR
<b>Camera</b>	
Sensor	1/1.8" Sony Progressive Scan CMOS
Day/Night	ICR
Min. Illumination	Color 0.2 lux, B/W 0 lux
Pan / Tilt	360° Pan / 180° Tilt
Zoom	33X Optical, 10X Digital
Lens	4.7mm(wide) – 155.1mm(tele), F1.6 – F3.5
Pan / Tilt Range	360° / ± 90° ( 180° )
Pan / Tilt Speed	0.4°~400°/sec(Pan); 0.4°~300°/sec(Tilt)
WDR	Auto / On / Off
BLC	On / Off
White Balance	Auto / Auto Tracking / Indoor / Outdoor / Manual
Electronic Shutter	1/1~1/10000s
Pre-set	255 Positions
Pattern	8 Patterns
Tour	8 Guard tours
Auto Scan	8 Groups
Coordinate direction	Support
Position-indicating	Support
Line scan	12, left and right boundaries can be set up, scanning speed can be set
Cruise	12, each up to 32 preset points
Guard bits	Idle for some time ( 1-240 minutes), can run preset position, cruise, line scan pattern scan etc.
Run time	Timing can be set to run preset position, cruise, line scan pattern scan etc.
IR LED	12 pcs High Powered Super Flux IR LEDs 850 nm
IR Distance	100 meters (330 feet) with smart LED functions
Smart IR	Auto or user adjustment for IR power level for each zoom level
<b>Video</b>	
Compression	H.264/M-JPEG
Max.image	1920 x 1080
Frame Rate	30fps(1920 x 1080)
Bit Rate	Stream 1: 1000~6000kps, Stream 2: 512~2048kbps, Stream 3: 64~256kbps
Image Overlay	Time, date, channel number, temperature, channel names and custom text
Real Time Clock (OSD)	Available
Temperature (OSD)	Available
<b>Audio</b>	
Compression	G.711, G.723.1/AMR
Talkback	Available
<b>Network</b>	
Protocol	IPv4/v6, RTP / RTCP, TCP / UDP, HTTP, DHCP, DNS, FTP, DDNS, PPPOE, SMTP
Compliance	ONVIF 2.1(1.02 backward compatible)
PC Client and Browser	ISS, IE6.0 and above
Mobile phone	iPhone, iPad, Android
Security	Password protection, support for multi-user, multi-level group management
<b>Interface</b>	
Video Output	BNC connector, 1.0Vp-p/75 Europe, PAL / NTSC support
Audio Input	1 CH 3.5mm audio interface, MIC IN/LINE IN
Audio Output	1 CH 3.5mm audio interface
Alarm Input	7 input
Alarm Output	2 relay output
LAN	1 RJ45 10M / 100M ethernet port
Storage Interface	Built-in micro SD slot, up to 64GB
Alarm	Linkage can be preset, cruise, line scan pattern scan etc.
3D positioning	Support
Remote upgrade	Support
Alarm and event	Through the built-in motion detection or external input or according to plan to the trigger event

<b>General</b>	
Working Temperature	-40°C~ +60°C
Working Humidity	0% - 90%
Protection Level	IP67 ( outdoor ball ), 8KV lightning protection, anti- surge, anti- break
Power Supply	24VAC/2A / 802at PoE+ (opt.)
Power Consumption	40W(Outdoor)
Dimensions	210mm x 310mm
Weight	4.10Kg (Without Bracket)
Support	Optional outdoor wall mounting bracket, wall mount, indoor lifting bracket
Installation	Wall, ceiling, wall mounted, etc.
Approvals	CE / FCC / RoHS / IK10 / IP67 compliant