

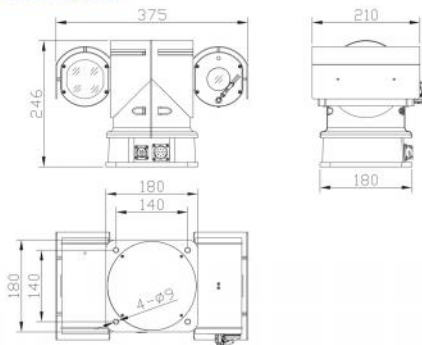
Dynacom Thermal Imaging Cameras WQT420PT



Key features

- Uncooled IRFPA Microbolometer
- Temperature detection
- Resolution 420x315
- Sensitivity 50mK
- 25/35/50 mm lens optional
- Vision Optical Zoom 22X
- Infrared detection wavelength 8-14um
- Color mode Black-Heat /White-Heat/Rainbow/Iron-Red

Dimensions



Accessories



Vehicle Bracket



Wall Mounting Bracket

Specifications

CAMERA	
Detector Type	Long-Life, Uncooled IRFPA Microbolometer
Array Format	420x315
Pixel Pitch	25 μm
Sensitivity	50mK
Spectral Range	8 to 14μm
Temperature Detection	Yes
Vision Lens	22X Optical Zoom
Thermal Lens	25mm, 35mm, 50mm optional
Focus	Manually
FOV	23.7°×17.9°/17°×12.8°/11.9°×9°
Detect Distance(Vehicle)	1000/1500/2000 m
Detect Distance(Human 1.8m)	500/800/1100 m
Recognize Distance(Vehicle)	600/850/1200 m
Recognize Distance(Human 1.8m)	300/450/650 m
Temperature Detect Distance(Vehicle)	350/500/650 m
Temperature Detect Distance(Human)	180/250/320 m
IMAGE	
Video Compression	H.264 High/Main/Baseline Profile, MJPEG
Bit Rate (CBR/VBR)	50kb-4000kb ,500kb-12Mb
Audio Compression	G.711 ,RAW_PCM
Thermal Resolution	D1/30fps
Vision Resolution	1080P/30fps
Stream	D1 ,CIF ;1080P
Image Color Mode	Black-Heat /White-Heat/Rainbow/Iron-Red
DVE Image Enhance	Yes ,Level 0 -6
3D Noise Reduce	Yes
Image Correction	Auto/Manual/External
Image Overtum	Horizontal /Vertical /Horizontal+Vertical/
NETWORK	
Network Protocols:	IPv4/v6, RTSP/RTP/RTCP, TCP/UDP, HTTP, DHCP, DNS, FTP, DDNS, PPP OE, SMTP, SIP
Alarm Trigger	Temperature Alarm, Motion Detection, Network disconnect, Disk alarm, I/O alarm
RTSP Video	Standard RFC2326, Support QuickTime / VLC Player.
Security	User security authentication, Reset, Hardware WatchDog
Web Language	English, Chines
System Compatibility	Onvif
Interface	
Ethernet	1 Ethernet (10/100 Base-T) RJ-45 Connector
Audio I/O	1ch Audio In, 1ch Audio Out
Alarm I/O	1ch Alarm In, 1ch Alarm Out
RS485	Yes
BNC Output	Yes
Reset Button	Yes
Edge Storage	Micro SD/SDHC slot ,Max 32GB
GENERAL	
Power Supply	DC9-DC36V ,AC24V optional
Power Consumption	50W(MAX)
Operating Temperature	-20℃ ~+55℃
Operating Humidity	0% - 90% RH
Ingress Protection	IP66
Approvals	CE / FCC
Product Dimensions	210x246x375mm
Product Weight	10kg