

EV6250A Series IP Speed Dome Camera

PTZ IP Camera, Best Image Quality at Low Bandwidth



H.264

Audio

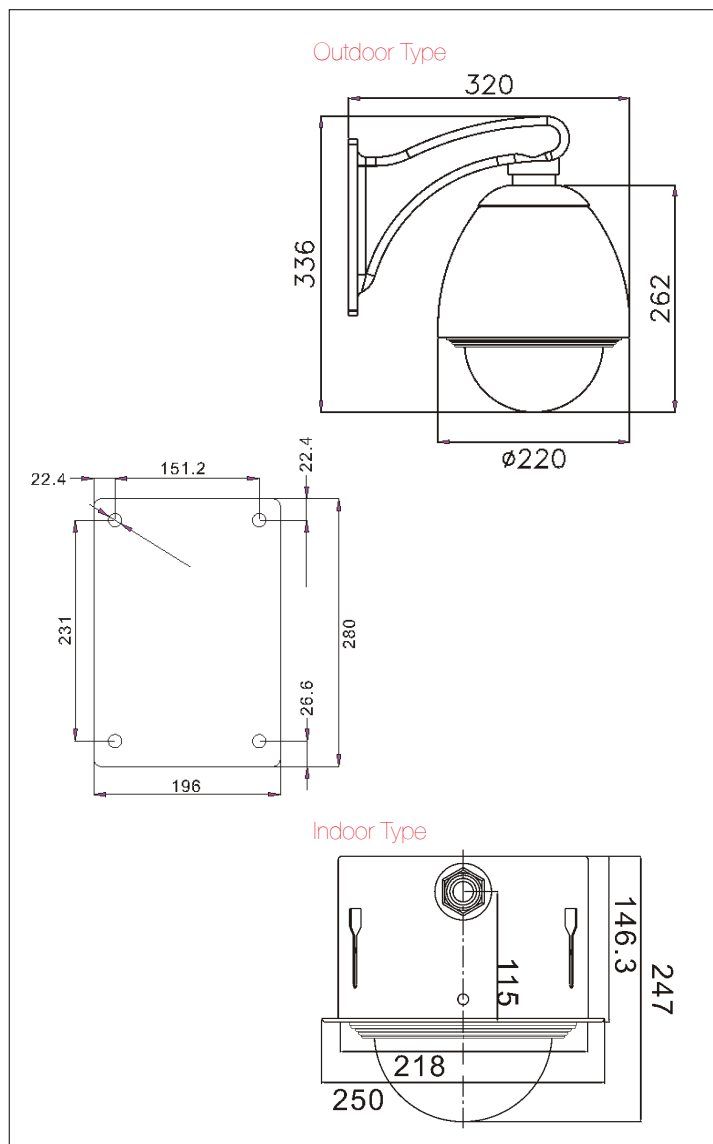
PTZ

D/N

Features

- SONY 1/4" EX-VIEW CCD
- 360° Continuous Pan Rotation / 90° Scan Range / 180° Auto Flip
- 1.0 lux minimum illumination
- Day / Night Mode, built-in ICR
- H.264 / MPEG-4 / M-JPEG
- D1, CIF, QCIF image resolution
- Up to 30fps (NTSC) / 25fps (PAL) @ D1 Resolution
- Indoor/IP 66 water-proof outdoor housing available

Dimensions



Specifications

	Model	EV6250A-BI EV6250A-BO	EV6250A-CI EV6250A-CO	EV6250A-DI EV6250A-DO
Camera	Image Sensor	SONY 1/4" EX-VIEW CCD		
	Lens	f=4.1mm(wide) to 73.8mm(tele), F1.4 to F3.0		f=3.5mm(wide) to 91mm(tele), F1.6 to F3.8
	Minimum Illumination	1.0 Lux	0.01 Lux 0.7 Lux B/W Mode Auto Switch	
	Pan / Tilt	360° Continuous Pan Rotation / 90° Scan Range / 180° Auto Flip		
	Zoom	72X (18xOpti., 4xDigital)	216X (18xOpti., 12xDigital)	312X (26xOpti., 12xDigital)
	Day/Night	N/A Built-in ICR, auto-switch		
	Number of Effective Pixels (HxV)	App. 380,000(NTSC) , App.440,000(PAL)		
	Iris & Focus	Auto Iris & Auto Focus		
	BLC	Auto		
	White Balance	Auto		
	Horizontal Resolution	480 TVL		
	S/N Ratio	More than 50dB		
	PTZ Function Control	OSD enable supported for advanced speed dome feature control - Image quality adjustment - 32 pre-defined preset points max. - 16 x Group-Scan, each supporting up to 8 preset points - Two-point Auto-Scan - Guard Position		
	Video & Audio	Video Compression	M-JPEG, MPEG-4,H.264 Format Selectable	
Resolution		D1(NTSC : 720x480, PAL : 720x576), CIF(NTSC : 352x240, PAL : 352x288), QCIF(NTSC : 176x120, PAL : 176x144)		
Frame Rate		Up to 30fps (NTSC) / 25fps (PAL) @ D1 Resolution		
Video Streaming		Simultaneous Dual Streams with Controllable Frame Rate and Bandwidth		
Image Settings		Compression, Brightness, Contrast, Saturation		
Bit Rate		M-JPEG: 5 Video Quality Level Selectable; MPEG-4/H.264 : 64K~4Mbps		
Network	Audio	Audio In/Out : ADPCM		
	Security	Password Protection, IP Address Filtering, User Access Privilege		
System Integration	Supported Protocols	TCP/IP, UDP, DHCP, PPPoE, HTTP, DNS, DynDNS, NTP, FTP, SMTP, UDP, RTP, RTSP, 3GPP, UPnP, IPv4, SAMBA client (NAS)		
	Application Programming Interface	EtroSDK™ 3.0		
	Intelligent Video	Video Motion Detection		
	Alarm Events	Intelligent Video, File Upload via FTP, Notification via E-mail, External Output Activation, File Recording to Remote FTP or NAS		
	Video Buffer	Pre-and Post Alarm Buffer up to 10-sec		
General	Configuration	EtroScan™ Utility, Web UI		
	Web Browser	Microsoft Internet Explorer 6.0, or Above		
	Casing	Metal, rugged mechanism design		
	Outdoor Protection Level	IP66 (Outdoor Model Only)		
	Dimension	218 (Ø) x 247 (H) mm (Indoor), 220 (Ø) x 262 (H) mm (Outdoor)		
	Processor and Memory	ARM9 Base SoC, 128MB RAM, 16MB Flash		
	Power	12V DC / 2.42 A		
	Connectors	RJ-45 for 10BASE-T/100 BASE-TX, DC Jack, Reset, BNC, Audio In, Audio Out, DI/DO		
	CPU	Pentium 4, 2.4GHz and Above		
	Hard Disk	40 GB or Above		
Memory	512 MB or Above			
Operating System	Windows XP with SP2 or Above / Windows 2000 with SP4 or Above			
Video Resolution	SVGA or XGA with 1024 x 768 Resolution			
Software	DirectX 9.0C or Above			
Operation Conditions	- 35 °C ~ 55 °C (- 31 °F ~ 131 °F) Humidity: 20% ~ 80% RH			
Approvals	CE, LVD, FCC, RoHS			
Weight	~7 kg			
Included Accessories	QIG, CD-ROM (User Manual, Free Bundle NVR)			