

EV6355A Series IP Camera

H.264 Professional IR PoE Outdoor IP Camera



H.264

Audio

PoE

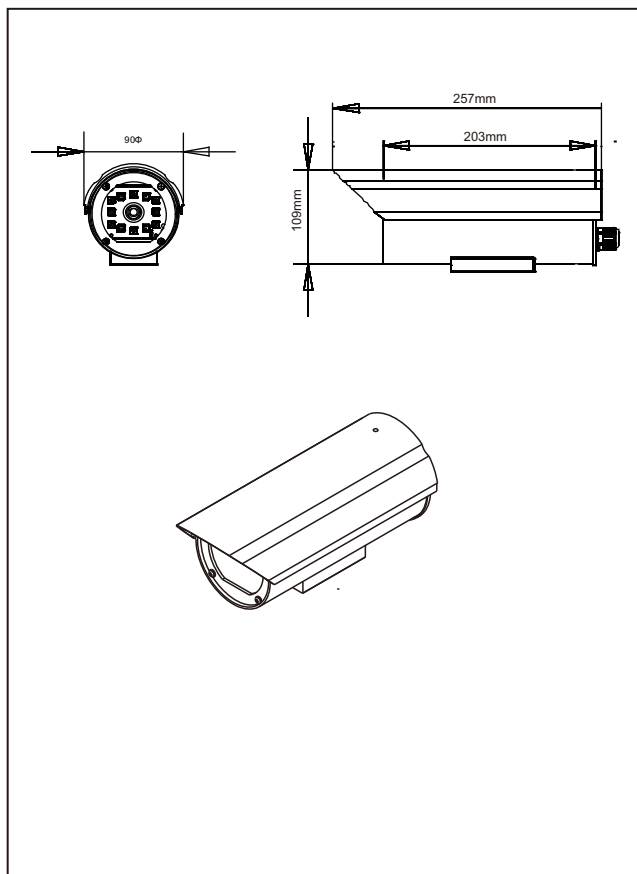
IP66

Day & Night

Features

- 1/3" SONY CCD with High Image Quality
- IP66 Level Pressure Die-casting Aluminum Construction
- 25mm RETINA Auto Focal Lens
- 420 (BO) / 520 (CO) TVL
- 12pcs High-light LED Performing 50M IR Distance with Adaptable Condensing Lens
- 30fps, H.264/ MPEG-4/M-JPEG at D1 Resolution
- IR Wavelength of 850nm
- PoE Support (Optional)
- Back Light Compensation / Gain Control / White Balance
- 2-way audio support
- 0.05 Lux / 0 Lux (IR LED On) (BO) / 0.06 Lux / 0 Lux (IR LED On) (CO)

Dimensions



Specifications

	Model	EV6355A-BO	EV6355AP-BO	EV6355A-CO	EV6355AP-CO
Camera	Image Sensor	1/3" Sony CCD Sensor			
	Lens	25mm Fixed Lens			
	Light Sensitivity	0.05 Lux / 0 Lux (IR LED On)		0.06 Lux / 0 Lux (IR LED On)	
	Shutter Time	NTSC: 1/60-100,000 Sec, PAL: 1/50-100,000			
	Auto Control	Back Light Compensation / Gain Control / White Balance			
	Number of Effective Pixels (HxV)	537 x 505 (NTSC), 537 x 597 (PAL)		811 x 508 (NTSC), 759 x 596 (PAL)	
	Signal to Noise	More than 50dB (AGC Off)			
	Gain Control	AGC			
	White Balance	Auto ATW 2500-9500°K			
	Built-in IR LED	12pcs High-Light LED			
	IR Wavelength / Beam Angle	850nm			
	IR View Angle	View Angle: 80°, Beam Spread: 30°/Per LED			
	Max. IR Range	50 Meter			
	Horizontal Resolution	420 TVL		520 TVL	
S/N Ratio	More than 50dB (AGC Off)				
Video / Audio	Video Compression	M-JPEG, MPEG-4, H.264 Format Selectable			
	Resolutions	NTSC: D1(720x480), CIF(352x240), QCIF(176x120) PAL : D1 (720x576), CIF(352x288), QCIF(176x144)			
	Frame Rate	Up to 30fps (NTSC) / 25fps (PAL) @ D1 Resolution			
	Video Streaming	Simultaneous Dual Stream Controllable Frame Rate and Bandwidth			
	Image Settings	Compression			
	Bit Rate	M-JPEG: 5 Video Quality Level Selectable; MPEG-4/H.264 : 64K~4Mbps			
Network	Audio	Audio In/Out ADPCM			
	Security	Password Protection, IP Address Filtering, User Access Privilege			
System Integration & Maintenance	Supported Protocols	TCP/IP, DHCP, PPPoE, HTTP, DDNS, NTP, FTP, SMTP, UDP, RTSP, 3GPP, UPnP			
	Application Programming Interface	EtroSDK™ 3.0			
General	Intelligent Video	Video Motion Detection			
	Alarm Events	Intelligent Video, File Upload via FTP and E-mail, Notification via E-mail, External Output Activation			
	Video Buffer	Pre-and Post Alarm Buffer up to 10-sec			
	Configuration	EtroScan™ Utility			
	Web Browser	Microsoft Internet Explorer 6.0, or Above			
	Casing	IP66 Casing			
	Outdoor Protection Level	IP66			
Dimension	90(W) X 109(H) X 257(L) mm				
Processor and Memory	ARM9 Base SoC, 128MB RAM, 16MB Flash				
Power	12 VDC / 1A				
General	Connectors	RJ-45 for 10BASE-T/100 BASE-TX, DC jack, EtroLink™, BNC, Audio In, Audio Out, DI/DO			
	CPU	Pentium 4, 2.4GHz and Above			
	Hard Disk	40 GB or Above			
	Memory	512 MB or Above			
	Operating System	Windows XP with SP2 or Above / Windows 2000 with SP4 or Above			
	Video Resolution	SVGA or XGA with 1024 x 768 Resolution			
	Software	DirectX 9.0C or Above			
	Operating Conditions	Temperature: - 20~50°C / Humidity: 30~90% RH			
	Approvals	CE, FCC, RoHS			
	Weight	1.9 kg			
Included Accessories	CD-ROM (User Manual, Free Bundle NVR), USB Cable				