

EV6356A Series IP Camera

H.264 Professional IR PoE Outdoor IP Camera



H.264

Audio

PoE

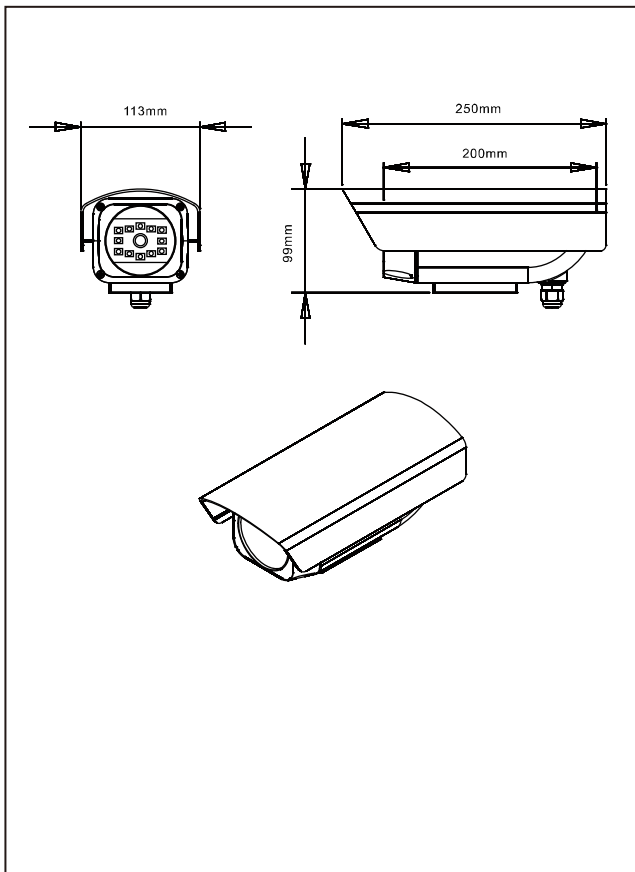
IP66

Day & Night

Features

- 1/3" SONY CCD with High Image Quality
- IP66 Water Proof
- 12pcs High-light LED, Performing 35M IR Distance
- PoE Support (Optional)
- Auto Control : Backlight Compensation / Gain Control / White Balance
- Vari-focal / Auto Iris Lens
- Auto Gain / Auto White Balance
- 30fps, H.264 / M-JPEG / MPEG-4 at D1 Resolution
- 2-way Audio
- Full-feature System Design
- 0.06 Lux / 0 Lux (IR LED On)

Dimensions



Specifications

	Model	EV6356A-BO	EV6356AP-BO	EV6356A-CO	EV6356AP-CO
Camera	Image Sensor	1/3" Sony CCD Sensor			
	Lens	External Adjustable Lens of Vari-focal / Auto Iris 3.8-9.5mm		External Adjustable Lens of Vari-focal / Auto Iris 9-22mm from Outside	
	Light Sensitivity	0.06 Lux / 0 Lux (IR LED On)			
	Shutter Time	NTSC: 1/60-100,000 sec., PAL: 1/50-100,000			
	Auto Control	BackLight Compensation / Gain Control / White Balance			
	Number of Effective Pixels (HxV)	811 x 508 (NTSC) , 795 x 596 (PAL)			
	Iris	Auto Iris			
	Gain	Auto			
	White Balance	Auto			
	Built-in IR LED	12pcs High-Light LED			
	IR Wavelength / Beam Angle	850nm			
	IR View Angel	View Angle: 50~180°, Beam Spread: 30°/per LED			
	Max. IR Range	35 Meter			
	Horizontal Resolution	420 TVL		520 TV lines	
	S/N Ratio	More than 50dB (AGC Off)			
Video / Audio	Video Compression	M-JPEG, MPEG-4, H.264 Format Selectable			
	Resolutions	NTSC: D1(720x480), CIF(352x240), QCIF(176x120) PAL: D1 (720x576), CIF(352x288), QCIF(176x144)			
	Frame Rate	Up to 30fps (NTSC) / 25fps (PAL) @ D1 Resolution			
	Video Streaming	Simultaneous Dual Stream Controllable Frame Rate and Bandwidth			
	Image Settings	Compression			
	Bit Rate	M-JPEG: 5 Video Quality Level Selectable; MPEG-4/H.264 : 64K-4Mbps			
Network	Audio	Audio In/Out ADPCM			
	Security	Password Protection, IP Address Filtering, User Access Privilege			
System Integration & Maintenance	Supported Protocols	TCP/IP, DHCP, PPPoE, HTTP, DDNS, NTP, FTP, SMTP, UDP, RTSP, 3GPP, UPnP			
	Application	EtroSDK™ 3.0			
	Intelligent Video	Video Motion Detection			
	Alarm Events	Intelligent Video, File Upload via FTP and E-mail, Notification via E-mail, External Output Activation			
	Video Buffer	Pre-and Post Alarm Buffer up to 10-sec			
General	Configuration	EtroScan™ Utility			
	Web Browser	Microsoft Internet Explorer 6.0, or Above			
	Casing	IP66 Casing			
	Outdoor Protection Level	IP66			
	Dimension	113mm(W) X 250mm(H) X 99mm(D) mm			
	Processor and Memory	ARM9 Base SoC, 128MB RAM, 16MB Flash			
	Power	12 VDC / 1A			
	Connectors	RJ-45 for 10BASE-T/100 BASE-TX, DC Jack ,EtroLink™, BNC, Audio In, Audio Out, DI/DO			
	CPU	Pentium 4, 2.4GHz and Above			
	Hard Disk	40 GB or Above			
General	Memory	512 MB or Above			
	Operating System	Windows XP with SP2 or Above / Windows 2000 with SP4 or Above			
	Video Resolution	SVGA or XGA with 1024 x 768 Resolution			
	Software	DirectX 9.0C or Above			
	Operating Conditions	Temperature: -20~50°C / Humidity: 30~90% RH			
	Approvals	CE, FCC, RoHS			
	Weight	2.5 kg			
	Included Accessories	CD-ROM (User Manual, Free Bundle NVR), USB Cable			