

# EV6551A Series IP Camera

H.264 Superior Image Quality at Low Bandwidth,  
3-Axis Design and Vari-focal Lens, Vandal/Weather-proof,  
Full Features for Various Applications



H.264

Audio

PoE

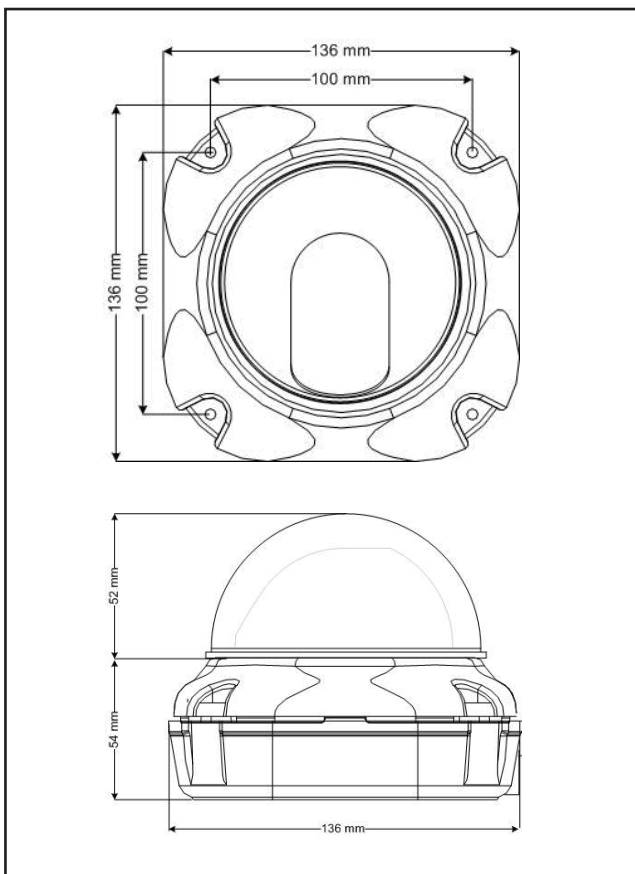
IP66

Day & Night

## Features

- 1/3" High Resolution CCD+ SONY 11X DSP
- 2-Axis Swivel Design
- 90° Pan Adjustable
- 3-9mm (F1.2) Auto Iris Lens (EV6551A-CI Series)
- 0.1 Lux (IR Off), 0 Lux (IR On)
- Day and Night
- H.264, MPEG-4, M-JPEG Dual Streams Simultaneously
- D1, CIF, QCIF Image Resolution
- Up to 30fps (NTSC) / 25fps (PAL) at D1 Resolution
- 2-way Audio
- Digital In / Out
- Power over Ethernet (Optional)
- Vandal-proof and Water-proof Housing (IP66)

## Dimensions



## Specifications

	Model	EV6551A-BI	EV6551AP-BI	EV6551A-CI	EV6551AP-CI
Camera	Image Sensor	1/3" CCD		1/3" CCD	
	Lens	6mm Fixed Lens		3 - 9mm (F1.2) Auto Iris Lens	
	Minimum Illumination	0.1 Lux (IR off), 0 Lux (IR on, 12pcs LED 10 Meters)		0.1 Lux (IR off), 0 Lux (IR on, 24pcs LED 20 Meters)	
	Shutter time	1/60 - 1/100,000 (NTSC) , 1/50 - 1/100,000 (PAL)			
	Number of Effective Pixels (HxV)	510 x 492 (NTSC), 512 x 582 (PAL)		811 x 508 (NTSC) , 795 x 596 (PAL)	
	Auto Iris	NA		DC Drive	
	Sync System	NA		Internal Lock / Line Lock	
	Resolution	420 TVL		520 TVL	
	S/N Ratio	48 dB		48 dB	
	Video Compression	H.264, M-JPEG, MPEG-4 Format Selectable			
	Image Size	D1(NTSC : 720x480, PAL : 720x576), CIF(NTSC : 352x240, PAL : 352x288), QCIF(NTSC : 176x120, PAL : 176x144)			
Video / Audio	Frame Rate	30fps (NTSC) / 25fps (PAL) @ D1 Resolution			
	Video Streaming	Simultaneous Dual Streams with Controllable Frame Rate and Bandwidth			
	Day / Night	YES			
	Image Settings	Compression, Brightness, Contrast, Saturation			
	Bit Rate	M-JPEG: 5 Video Quality Level Selectable; MPEG-4/H.264 : 64K-4Mbps			
	Video Output	Composite BNC Connector, 1.0 Vp-p (with 75 ohms load)			
Network	Audio	Audio In/Out : ADPCM			
	Security	Password Protection, IP Address Filtering, User Access Privilege			
Network	Protocols	TCP/IP, UDP, DHCP, PPPoE, HTTP, DNS, DynDNS, NTP, FTP, SMTP, UDP, RTP, RTSP, 3GPP, UPnP, IPv4, SAMBA client (NAS)			
	System Integration	Application Programming Interface: EtroSDK™ 3.0			
System Integration	Intelligent Video	Motion Detection			
	Alarm Trigger	Periodical Timer, Intelligent video and external input			
	Alarm Events	Intelligent Video, File Upload via FTP and E-mail, Notification via E-mail, External Output Activation, File Recording to Remote FTP or NAS			
	Video Buffer	Pre-and Post Alarm Buffer up to 10-sec			
General	Configuration	EtroScan™ Utility, Web UI			
	Web Browser	Microsoft Internet Explorer 6.0, or Above			
	Casing	IP66, Vandalproof		3-Axis Swivel Design, IP66, Vandalproof	
	Dimension	136(Ø) X 106(H) mm			
	Processor and Memory	ARM9 Base SoC, 128MB RAM, 16MB Flash			
	Power	12V DC / 1A	12V DC / 1A, PoE	12V DC / 1A	12V DC / 1A, PoE
	Connectors	RJ-45 for 10BASE-T/100 BASE-TX, DC jack, Reset, BNC, Audio In, Audio Out, DI/DO			
	Operating Conditions	- 25 °C ~ 55 °C ( - 13 °F ~ 131 °F) Humidity: 20% ~ 80% RH			
	Power over Ethernet	NA	802.3af standard A/B compliant	NA	802.3af standard A/B compliant
	Wireless	NA			
	Approvals	CE, FCC, RoHS			
	Weight	925g		925g	
	Included Accessories	QIG, Power Adapter, CD-ROM (User Manual, Free Bundle NVR)			