

EV8383F IP Camera

5 Megapixel Vandal Proof Outdoor IP Camera



H.264

SD Card

Audio

Day&Night

IP66

Features

- 1/2.5" 5 megapixel resolution at 10fps
- 0.1lux @ F1.2 with 40m IR illumination
- Day / Night Mode, built-in ICR
- H.264 / MPEG-4/ M-JPEG
- 8 ROI with independent streams
- Vandal-proof, IP66, built-in heater & fan
- 11pcs Super Power LED with Photo Diode Sensor Control
- SD/SDHC auto-recovery/reset

Dimensions

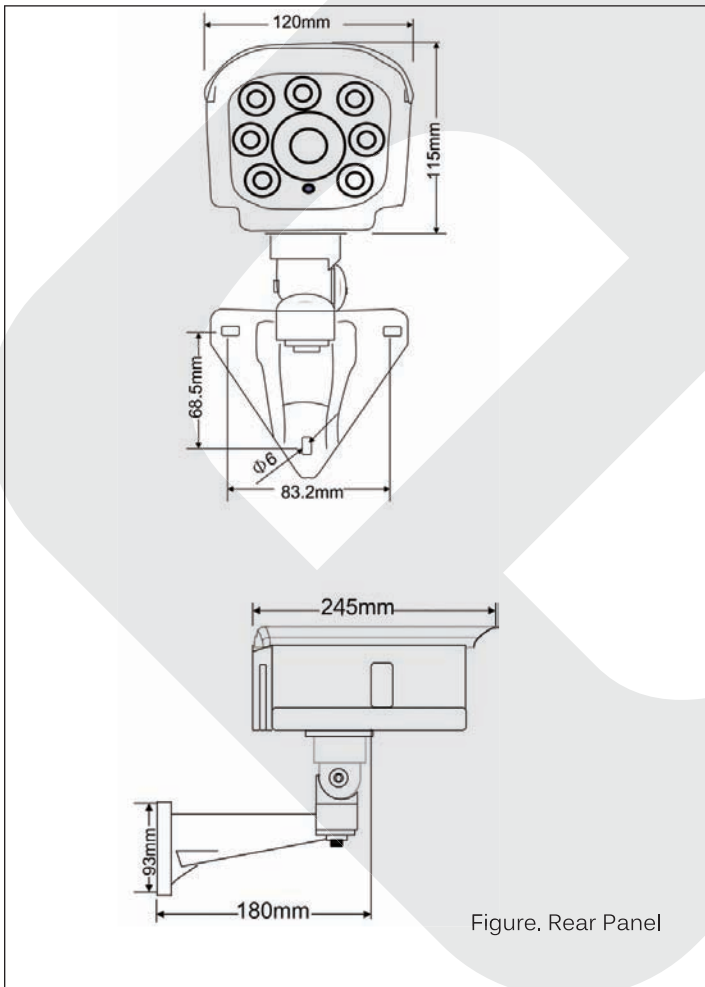


Figure. Rear Panel

Specifications

	Model	EV8383F-BO80 / EV8383F-BO24 / EV8383F-BOHP	EV8383F-CO80 / EV8383F-CO24 / EV8383-COHP
Camera	Image Sensor	1/2.5" 5MpPix CMOS	
	Num. of Effective Pixels (HxV)	2592 x 1920	
	Lens	4~12mm, F1.4	12~40mm, F1.8
	Minimum Illumination	0.1lux @ F1.2, 0 Lux (IR on)	
	Shutter Time	1/3s-to-1/6400s or 1/4s-to-1/8000s Selectable	
	Auto IRIS	DC IRIS	N/A, Manual IRIS
	S/N Ratio	More than 38dB	
	Day/Night	YES, built-in ICR	
Video / Audio	Video Compression	Motion JPEG / MPEG-4 / H.264 High Profile	
	H.264	F series : 10fps@5MP, 20fps@3MP, 30fps@HD-1080p / HD-720p / VGA / QVGA / QQVGA / Minilux Mode Q series : 20fps@3MP, 30fps@HD-1080p / HD-720p / VGA / QVGA / QQVGA U series : 30fps@HD-1080p / HD-720p / VGA / QVGA / QQVGA	
	MJPEG	A series : 30fps@SXGA / VGA / QVGA / QQVGA	
	MPEG4	F series : 30fps@HD-1080p / HD-720p / VGA / QVGA / QQVGA Q series : 30fps@HD-1080p / HD-720p / VGA / QVGA / QQVGA U series : 30fps@HD-1080p / HD-720p / VGA / QVGA / QQVGA A series : 30fps@SXGA / VGA / QVGA / QQVGA	
	Video Streaming	Multiple Stream : support up to 8 independent streams with ROI(Region of Interest) feature, controllable framerate and bandwidth CBR/VBR	
	Bit-rate	M-JPEG / VBR mode : 5 Video Quality Level Selectable MPEG-4/H.264 CBR mode : 1M~12Mbps	
	Video Output	YES, Composite Video	
	Image Setting	Compression, Brightness, Contrast, Mirroring, Sharpness, AWB, AES, AGC, BLC, Day/Night Mode, WDR, 4 Privacy Mask Regions	
	Audio Compression	ADPCM AAC	
	Audio Input	Line In x1	
Audio Output	Line Outx1		
Network	Security	Password Protection, IP Address Filtering, User Access Privilege	
	Network Protocol	TCP/IP, UDP, DHCP, PPPoE, HTTP, HTTPS, DNS, DynDNS, NTP, FTP, SMTP, UDP, RTP, RTSP, RTCP, 3GPP, UPnP, IPv4/v6, SAMBA client (NAS)	
System Integration	App. Integration Interface	CGI, ONVIF Support	
	Intelligent Video	Video Motion Detection Face Detection	
	Alarm Trigger	Periodical Timer, Intelligent Video and external digital input	
	Alarm Event	Intelligent Video, File Upload via FTP and E-mail, Notification via E-mail, External Output Activation, File Recording to SD Card Remote FTP or Remote NAS	
Video Buffer	24MB Max.		
General	Configuration	EtoScan™ Utility, Web UI	
	Web Browser	Microsoft Internet Explorer 6.0, or Above	
	Local Storage	SD Card support	
	Casing	Die-casting, IP66, Vandal-proof Protection Level, Built-in Heater & Fan	
	Dimension	425(L) x 160(W) x 165(H) mm	
	Weight	5.8Kg	
	Processor and Memory	ARM9 Base SoC, 256MB RAM, 128MB Flash	
	Power	EV8383F-XO80: 90~240Vac EV8383F-XO24: 24Vac	
	I/O Connector	1)RJ45 Female Type 10BASE-T/100BASE-TX 2)Power cable 3)Audio Socket 4)Alarm In/Out 5)SD Card Slot	
	Failover	SD/SDHC auto-recovery / Reset	
	Operation Conditions	-40 °C ~ 60 °C (-40 °F ~ 140 °F) Humidity: 20% ~ 80% RH	
	Power over Ethernet	N/A	
	Wireless Support	N/A	
	Included Accessories	QIG, CD-ROM (User Manual, Free Bundle NVR)	
	Approvals	FCC Part15 SubpartB CN EN55022 ClassB, EN55024 LVD RoHS	
IR Range	40M		
Number of IR LED	11 pcs Super Power LED with Photo Diode Sensor Control		
IR Angle	25 & 45		
IR Wavelength	850nm		