

EV8580A Series IP Camera

1.3 Megapixel Vandal Proof Dome IP Camera



H.264

Audio

PoE

Day&Night

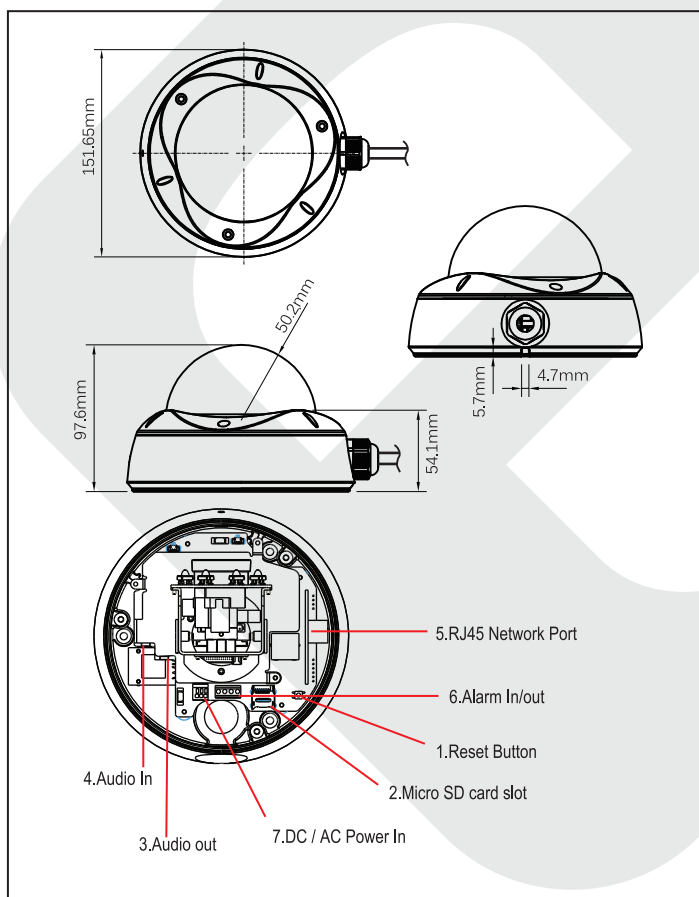
IP66

SDHC

Features

- 1/3" 1.3 megapixel resolution at 30fps
- Fujinon 3 ~ 10mm Vari-Focal, F1.3
- 0.1lux @ F1.2 with 15m IR illumination
- Day / Night Mode, built-in ICR
- Two-way Audio, built-in Microphone
- H.264 / MPEG-4/ M-JPEG
- 4 ROI with independent streams
- Vandal-proof, IP66
- SD/SDHC auto-recovery/reset
- 802.3af standard A/B compliant PoE

Dimensions



Specifications

	Model	EV8580A-B/C	
Camera	Image Sensor	1/3" 1.3MP CMOS	
	Num. of Effective Pixels (HxV)	1280x1024	
	Lens	EV8580A-B: 4mm, F1.5 Fixed IRIS EV8580A-C: 3 ~ 10mm Vari-Focal, F1.3	
	Minimum Illumination	0.1lux @ F1.2, 0 Lux (IR on, 28pcs LED 15 Meters)	
	Shutter Time	1/3s-to-1/6400s or 1/4s-to-1/8000s Selectable	
	Auto IRIS	EV8580A-B : N/A EV8580A-C: DC Drive	
	S/N Ratio	More than 38dB	
	Day/Night	YES, built-in ICR IR auto-start under 10lux	
Video / Audio	Video Compression	Motion JPEG / MPEG-4 / H.264 High Profile	
	H.264	F series :10fps@5MP, 20fps@3MP, 30fps@HD-1080p / HD-720p / VGA / QVGA / QQVGA / Minilux Mode Q series :20fps@3MP, 30fps@HD-1080p / HD-720p / VGA / QVGA / QQVGA U series :30fps@HD-1080p / HD-720p / VGA / QVGA / QQVGA A series :30fps@SXGA / VGA / QVGA / QQVGA	
	MJPEG	F series : 30fps@HD-1080p / HD-720p / VGA / QVGA / QQVGA Q series : 30fps@HD-1080p / HD-720p / VGA / QVGA / QQVGA U series : 30fps@HD-1080p / HD-720p / VGA / QVGA / QQVGA A series : 30fps@SXGA / VGA / QVGA / QQVGA	
	MPEG4	F series : 30fps@HD-1080p / HD-720p / VGA / QVGA / QQVGA Q series : 30fps@HD-1080p / HD-720p / VGA / QVGA / QQVGA U series : 30fps@HD-1080p / HD-720p / VGA / QVGA / QQVGA A series : 30fps@SXGA / VGA / QVGA / QQVGA	
	Video Streaming	Multiple Stream : support up to 4 independent streams with ROI(Region of Interest) feature, controllable framerate and bandwidth CBR/VBR	
	Bit-rate	M-JPEG / VBR mode : 5 Video Quality Level Selectable MPEG-4/H.264 CBR mode : 1M~12Mbps	
	Video Output	YES, Composite Video	
	Image Setting	Compression, Brightness, Contrast, Mirroring, Sharpness, AWB, AES, AGC, BLC, Day/Night Mode, WDR, 4 Privacy Mask Regions	
	Audio Compression	ADPCM AAC	
	Audio Input	Built-in Microphone / Line In x1	
Audio Output	Line Outx1		
Network	Security	Password Protection, IP Address Filtering, User Access Privilege	
	Network Protocol	TCP/IP, UDP, DHCP, PPPoE, HTTP, HTTPS, DNS, DynDNS, NTP, FTP, SMTP, UDP, RTP, RTSP, RTCP, 3GPP, UPnP, IPv4/v6, SAMBA client (NAS)	
System Integration	App Integration Interface	CGI, ONVIF Support	
	Intelligent Video	Video Motion Detection	
	Alarm Trigger	Periodical Timer, Intelligent Video and external digital input	
General	Alarm Event	Intelligent Video, File Upload via FTP and E-mail, Notification via E-mail, External Output	
	Video Buffer	24MB Max.	
	Configuration	EtroScan™ Utility, Web UI	
	Web Browser	Microsoft Internet Explorer 7.0, or Above	
	Local Storage	micro SD Card support	
	Casing	Metal (Aluminum), IP66, Vandal-proof Protection Level	
	Dimension	4" fixed dome: φ155 x 105(H) mm	
	Weight	1100g	
	Processor and Memory	ARM9 Base SoC, 256MB RAM, 128MB Flash	
	Power	DC:	8~25V
		AC:	24V
	I/O Connector		Power over Ethernet
			1)RJ45 Female Type 10BASE-T/100BASE-TX 2)3-pin Terminal Block for DC or AC Power Input 3)Audio Line In/Out 4)Alarm In/Out 5)micro SD Card Slot 6)Video Out Wafer
	Failover	SD/SDHC auto-recovery / Reset	
	Operation Conditions	-25 °C ~ 55 °C (-13 °F ~ 131 °F) Humidity: 20% ~ 80% RH	
Power over Ethernet	802.3af standard A/B compliant		
Wireless Support	N/A		
Included Accessories	OIG, Power Adapter, Power Cable, CD-ROM (User Manual, Free Bundle NVR)		
Approvals	FCC Part15 SubpartB / CN EN55022 ClassB, EN55024 / LVD / RoHS		
IR Range	15M		
Number of IR LED	28		
IR Angle	View angle:25°/40°		
IR Wavelength	850nm		