

# EV8581Q IP Camera

## 3 Megapixel Indoor Dome IP Camera



H.264

Audio

PoE

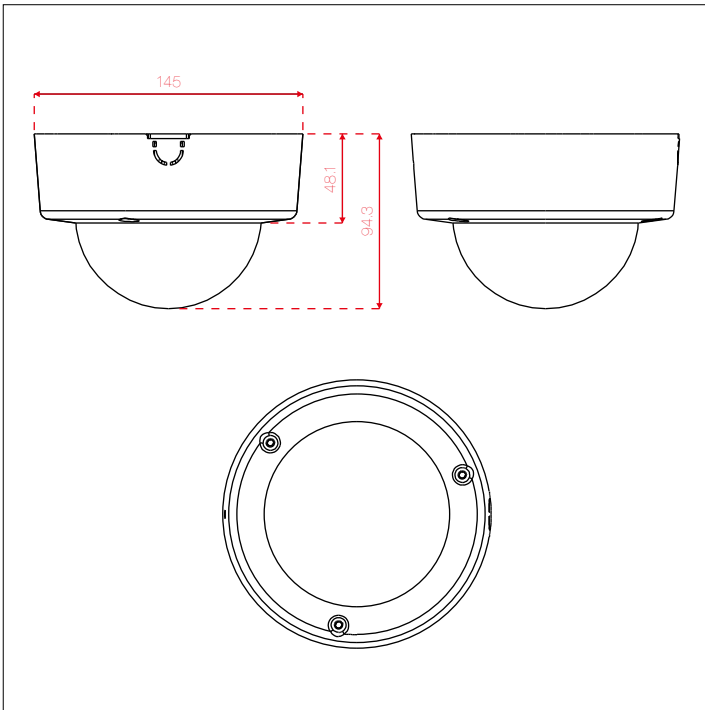
Day&Night

SDHC

### Features

- 1/2.5" 3 megapixel resolution at 20fps
- 0.1lux @ F1.2 with 15m IR illumination
- Day / Night Mode, built-in ICR
- Two-way Audio, built-in Microphone
- H.264 / MPEG-4/ M-JPEG
- 4 ROI with independent streams
- SD/SDHC auto-recovery/Reset
- 802.3af standard A/B compliant PoE

### Dimensions



Ver. 4.1 - 2010-08-23

### Specifications

	Model	EV8581Q
Camera	Image Sensor	1/2.5" 3MgPix CMOS
	Num. of Effective Pixels (HxV)	2048x1536
	Lens	2.8-10mm Vari-Focal, F1.3
	Minimum Illumination	0.1lux @ F1.2
	Shutter Time	1/3s-to-1/6400s or 1/4s-to-1/8000s Selectable
	Auto IRIS	DC-Iris
	S/N Ratio	More than 38dB
	Day/Night	YES, built-in ICR
Video & Audio	Video Compression	Motion JPEG, MPEG-4, H.264 High Profile
	H.264	<b>F series:</b> 10fps@5MP, 20fps@3MP, 30fps@HD-1080p / HD-720p / VGA / QVGA / QQVGA / Minilux Mode <b>Q series:</b> 20fps@3MP, 30fps@HD-1080p / HD-720p / VGA / QVGA / QQVGA <b>U series:</b> 30fps@HD-1080p / HD-720p / VGA / QVGA / QQVGA <b>A series:</b> 30fps@SXGA / VGA / QVGA
	MJPEG	<b>U series:</b> 30fps@HD-1080p / HD-720p / VGA / QVGA / QQVGA <b>A series:</b> 30fps@SXGA / VGA / QVGA
	MPEG4	<b>F series:</b> 30fps@HD-1080p / HD-720p / VGA / QVGA / QQVGA <b>Q series:</b> 30fps@HD-1080p / HD-720p / VGA / QVGA / QQVGA <b>U series:</b> 30fps@HD-1080p / HD-720p / VGA / QVGA / QQVGA <b>A series:</b> 30fps@SXGA / VGA / QVGA / QQVGA
	Video Streaming	Multiple Stream : support up to 4 independent streams with ROI(Region of Interest) feature, controllable framerate and bandwidth CBR/VBR
	Bit-rate	M-JPEG / VBR mode : 5 Video Quality Level Selectable MPEG-4/H.264 CBR mode : 1M-12Mbps
	Video Output	YES, Composite Video
	Image Setting	Compression, Brightness, Contrast, Mirroring, Sharpness, AWB, AES, AGC, BLC, Day/Night Mode, WDR, 4 Privacy Mask Regions
	Audio Compression	ADPCM, AAC
	Audio Input	Built-in Microphone, Line In x 1
Audio Output	Line Outx1	
Network	Security	Password Protection, IP Address Filtering, User Access Privilege
	Network Protocol	TCP/IP, UDP, DHCP, PPPoE, HTTP, HTTPS, DNS, DynDNS, NTP, FTP, SMTP, UDP, RTP, RTSP, RTCP, 3GPP, UPnP, IPv4/v6, SAMBA client (NAS)
System Integration	App. Integration Interface	CGI, ONVIF Support
	Intelligent Video	Video Motion Detection
	Alarm Trigger	Periodical Timer, Intelligent Video and external digital input
	Alarm Event	Intelligent Video, File Upload via FTP and E-mail, Notification via E-mail, External Output Activation, File Recording to SD Card Remote FTP or Remote NAS
General	Video Buffer	24MB Max.
	Configuration	EtroScan™ Utility, Web UI
	Web Browser	Microsoft Internet Explorer 7.0, or Above
	Local Storage	micro SD Card Support
	Casing	4" Dome Design
	Dimension	4" fixed dome: φ145 x 96(H) mm
	Weight	630g
	Processor and Memory	ARM9 Base SoC, 256MB RAM, 128MB Flash
	Power	DC: 8-25V, AC: 24V, Power over Ethernet
	I/O Connector	1) RJ45 Female Type 10BASE-T/100BASE-TX 2) 3-pin Terminal Block for DC or AC Power Input 3) Audio Line In/Out                   4) Alarm In/Out 5) micro SD Card Slot                 6) Video Out Wafer
Failover	SD/SDHC auto-recovery, Reset	
Operation Conditions	-10°C~-55°C (-13°F~-131°F) Humidity: 20%~80% RH	
Power over Ethernet	802.3af standard A/B compliant	
Wireless Support	N/A	
Included Accessories	QIG, Power Adapter, Power Cable, CD-ROM (User Manual, Free Bundle NVR)	
Approvals	FCC Part15 SubpartB, CN EN55022 ClassB, EN55024, LVD, RoHS	
IR Range	15M	
Number of IR LED	28	
IR Angle	View angle:25°/40°	
IR Wavelength	850nm	