

# EV8581U IP Camera

Full HD H.264 Indoor Dome IP Camera



H.264

Audio

PoE

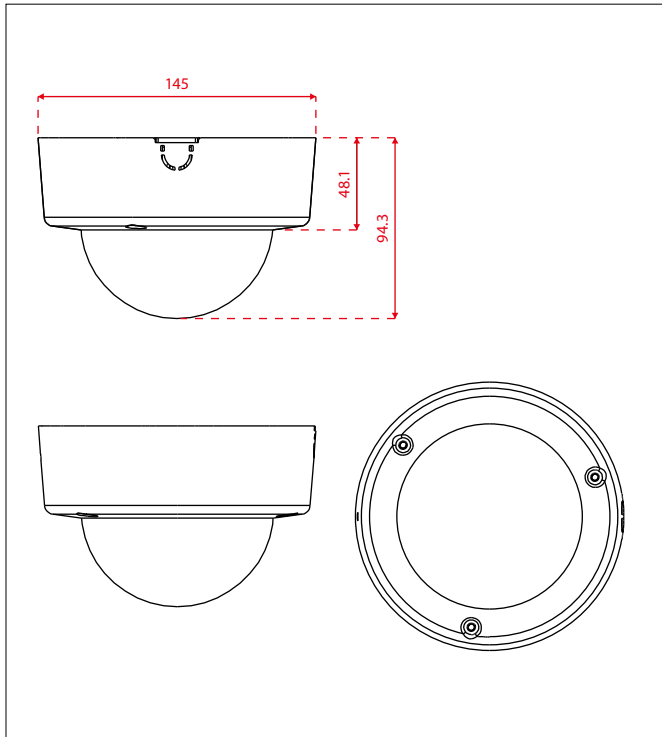
Day&Night

SDHC

## Features

- 1/2.7" Full HD resolution at 30fps
- 0.1lux @ F1.2 minimum illumination
- EV8581U-B: 4mm Fixed, F1.5 Lens
- EV8581U-C: 2.8~10mm Lens with auto-focus
- Day / Night Mode, built-in ICR
- Two-way Audio, built-in Microphone
- H.264 / MPEG-4/ M-JPEG
- 4 ROI with independent streams
- SD/SDHC auto-recovery/Reset
- 802.3af standard A/B compliant PoE (for EV8581U-C only)

## Dimensions



Ver. 4.1 - 2010-08-23



## Specifications

	Model	EV8581U-B	EV8581U-C
Camera	Image Sensor	1/2.7" HD-1080p CMOS	
	Num. of Effective Pixels (HxV)	1920 x 1080	
	Lens	4mm Fixed, F1.5	2.8~10mm Lens with auto-focus
	Minimum Illumination	0.1lux @ F1.2	0.1lux @ F1.2, 0 Lux (IR on, 28pcs LED 15 Meters)
	Shutter Time	1/3s-to-1/6400s or 1/4s-to-1/8000s Selectable	
	Auto IRIS	N/A	DC-Iris
	S/N Ratio	More than 38dB	
	Day/Night	Day ONLY	YES, built-in ICR IR auto-start under 10lux
	Video Compression	Motion JPEG / MPEG-4 / H.264 High Profile	
	H.264	F series: 10fps@5MP, 20fps@3MP, 30fps@HD-1080p / HD-720p / VGA / QVGA / QQVGA / Minilux Mode Q series: 20fps@3MP, 30fps@HD-1080p / HD-720p / VGA / QVGA / QQVGA	
MJPEG	U series: 30fps@HD-1080p / HD-720p / VGA / QVGA / QQVGA A series: 30fps@5XGA / VGA / QVGA / QQVGA		
MPEG4	F series: 30fps@HD-1080p / HD-720p / VGA / QVGA / QQVGA Q series: 30fps@HD-1080p / HD-720p / VGA / QVGA / QQVGA U series: 30fps@HD-1080p / HD-720p / VGA / QVGA / QQVGA A series: 30fps@5XGA / VGA / QVGA / QQVGA		
Video & Audio	Video Streaming	Multiple Stream : support up to 4 independent streams with ROI(Region of Interest) feature, controllable framerate and bandwidth CBR/VBR	
	Bit-rate	M-JPEG / VBR mode : 5 Video Quality Level Selectable MPEG-4/H.264 CBR mode : 1M~12Mbps	
	Video Output	YES, Composite Video	
	Image Setting	Compression, Brightness, Contrast, Mirroring, Sharpness, AWB, AES, AGC, BLC, Day/Night Mode, WDR, 4 Privacy Mask Regions	
	Audio Compression	ADPCM, AAC	
	Audio Input	Built-in Microphone, Line In x 1	
	Audio Output	Line Out x 1	
	Security	Password Protection, IP Address Filtering, User Access Privilege	
	Network Protocol	TCP/IP, UDP, DHCP, PPPoE, HTTP, HTTPS, DNS, DynDNS, NTP, FTP, SMTP, UDP, RTP, RTSP, RTCP, 3GPP, UPnP, IPv4/v6, SAMBA client (NAS)	
	App. Integration Interface	CGI, ONVIF Support	
System Integration	Intelligent Video	Video Motion Detection	
	Alarm Trigger	Periodical Timer, Intelligent Video and external digital input	
	Alarm Event	Intelligent Video, File Upload via FTP and E-mail, Notification via E-mail, External Output Activation, File Recording to SD Card Remote FTP or Remote NAS	
	Video Buffer	24MB Max.	
	Configuration	EtroScan™ Utility, Web UI	
	Web Browser	Microsoft Internet Explorer 7.0, or Above	
	Local Storage	micro SD Card Support	
	Casing	4" Dome Design	
	Dimension	4" fixed dome: φ145 x 96(H) mm	
	Weight	600g	650g
Processor and Memory	ARM9 Base SoC, 256MB RAM, 128MB Flash		
	Power	DC: 8~25V, AC: 24V	DC: 8~25V, AC: 24V, Power over Ethernet
General	I/O Connector	1) RJ45 Female Type 10BASE-T/100BASE-TX 2) 3-pin Terminal Block for DC or AC Power Input 3) Audio Line In/Out 4) Alarm In/Out 5) micro SD Card Slot 6) Video Out Wafer	
	Failover	SD/SDHC auto-recovery, Reset	
	Operation Conditions	-10°C~55°C (-13°F~131°F) Humidity: 20%~80% RH	
	Power over Ethernet	N/A	802.3af standard A/B compliant
	Wireless Support	N/A	
	Included Accessories	QIG, Power Adapter, Power Cable, CD-ROM (User Manual, Free Bundle NVR)	
Approvals	FCC Part15 SubpartB, CN EN55022 ClassB, EN55024, LVD, RoHS		
IR Range	N/A	15M	
Number of IR LED	N/A	28	
IR Angle	N/A	View angle:25°/40°	
IR Wavelength	N/A	850nm	