

# EV8782U IP Camera

Full HD Water Proof Bullet IP Camera



H.264

SD Card

PoE

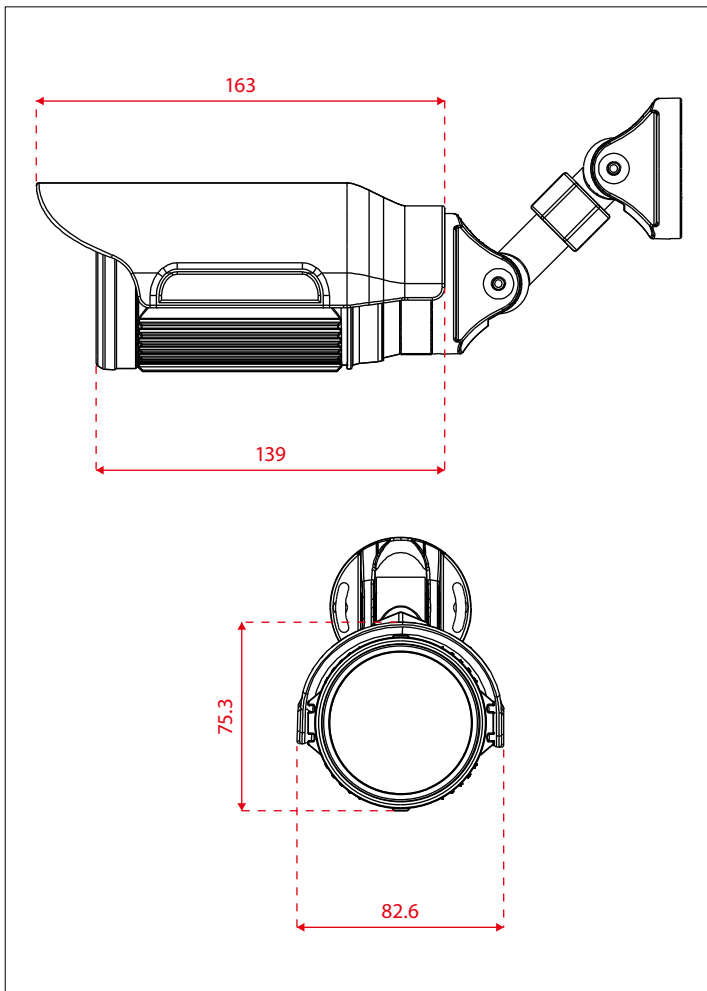
Day&Night

IP67

## Features

- 1/2.7" Full HD resolution at 30fps
- 0.1lux @ F1.2 with 15m IR illumination
- Day / Night Mode, built-in ICR
- H.264 / MPEG-4 / M-JPEG
- 4 ROI with independent streams
- SD/SDHC auto-recovery/reset
- 802.3af standard A/B compliant PoE

## Dimensions



Ver. 4.1 - 2010-08-23



## Specifications

	Model	EV8782U
Camera	Image Sensor	1/2.7" HD-1080p CMOS
	Num. of Effective Pixels (HxV)	1920 x 1080
	Lens	4mm, F1.5 Fixed IRIS
	Minimum Illumination	0.1lux @ F1.2, 0 Lux (IR on, 28pcs IR LED 15 Meters)
	Shutter Time	1/3s-to-1/6400s or 1/4s-to-1/8000s Selectable
	Auto IRIS	N/A
	S/N Ratio	More than 38dB
	Day/Night	YES, built-in ICR, IR auto-start under 10lux
	Video Compression	Motion JPEG, MPEG-4, H.264 High Profile
	Video & Audio	H.264
MJPEG		U series: 30fps@HD-1080p / HD-720p / VGA / QVGA / QQVGA A series: 30fps@SXGA / VGA / QVGA
MPEG4		F series: 30fps@HD-1080p / HD-720p / VGA / QVGA / QQVGA Q series: 30fps@HD-1080p / HD-720p / VGA / QVGA / QQVGA U series: 30fps@HD-1080p / HD-720p / VGA / QVGA / QQVGA A series: 30fps@SXGA / VGA / QVGA / QQVGA
Video Streaming		Multiple Stream : support up to 4 independent streams with ROI(Region of Interest) feature, controllable framerate and bandwidth CBR/VBR
Bit-rate		M-JPEG / VBR mode : 5 Video Quality Level Selectable MPEG-4/H.264 CBR mode : 1M~12Mbps
Video Output		N/A
Image Setting		Compression, Brightness, Contrast, Mirroring, Sharpness, AWB, AES, AGC, BLC, Day/Night Mode, WDR, 4 Privacy Mask Regions
Audio Compression		ADPCM, AAC
Audio Input		N/A
Audio Output		N/A
Network	Security	Password Protection, IP Address Filtering, User Access Privilege
	Network Protocol	TCP/IP, UDP, DHCP, PPPoE, HTTP, HTTPS, DNS, DynDNS, NTP, FTP, SMTP, UDP, RTP, RTSP, RTCP, 3GPP, UPnP, IPv4/v6, SAMBA client (NAS)
System Integration	App. Integration Interface	CGI, ONVIF Support
	Intelligent Video	Video Motion Detection
	Alarm Trigger	Intelligent Video
	Alarm Event	Intelligent Video, File Upload via FTP and E-mail, Notification via E-mail, File Recording to Remote NAS
	Video Buffer	24MB Max.
	Configuration	EtroScan™ Utility, Web UI
	Web Browser	Microsoft Internet Explorer 7.0, or Above
	Local Storage	micro SD Card Support
	Casing	Metal (Aluminum) IP67, Vandal-proof Protection Level
	Dimension	6 (Ø) x 13 (W) x 18 (H) mm
General	Weight	558g
	Processor and Memory	ARM9 Base SoC, 256MB RAM, 128MB Flash
	Power	DC: 8~25V, Power over Ethernet
	I/O Connector	1) RJ45 Female Type 10BASE-T/100BASE-TX 2) 2-pin Terminal Block for DC Power Input 3) Reset Pin
	Failover	SD/SDHC auto-recovery, Reset
	Operation Conditions	-25°C ~ 50°C (-13°F ~ 122°F) Humidity: 20% ~ 80% RH
	Power over Ethernet	802.3af standard A/B compliant
	Wireless Support	N/A
	Included Accessories	QIG, Power Adapter, CD-ROM (User Manual, Free Bundle NVR), Stand
	Approvals	FCC Part15 SubpartB CN EN55022 ClassB, EN55024 LVD RoHS
IR Range	15M	
Number of IR LED	28	
IR Angle	IR View angle:25°/40°	
IR Wavelength	850nm	