

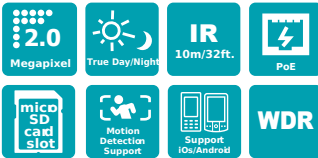
EDN2260

2 Megapixel IR & WDR
Mini Dome Network Camera

NEW



ONVIF



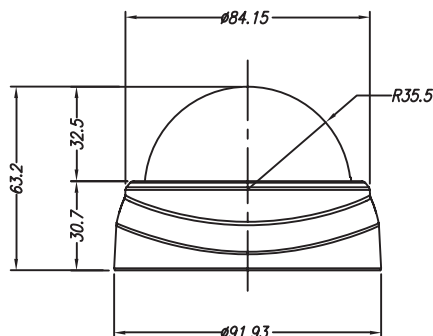
Features

- 1/2.7" color CMOS image sensor delivers 2 megapixel resolution
- Mini palm-sized, easy installation
- Provides true day / night functionality with automatic IR filter operation
- Wide dynamic range function
- Extended IR range of up to 10 meters with 19 IR LEDs
- Multi-streaming from H.264, M-JPEG or MPEG-4
- H.264 Up to 30 fps at 1920 x 1080 of video resolution
- Built-in microphone
- Built-in micro SD card slot enable edge recording.
- Support motion detection & email notification
- Power over Ethernet
- Supports live monitoring of video from mobile devices via MobileFocus / MobileFocus Plus Apps (iOS and Android)

Specifications

| Camera | |
|-------------------------|---|
| Megapixel | 2MP |
| Image Sensor | 1/2.7" color CMOS image senso |
| Lens | 4mm, F2.0 |
| Minimum Illumination | 1.0Lux @ F2.0 |
| Day / Night | True Day / Night |
| Iris | Fixed IRIS |
| Shutter Time | 1/30 ~ 1/60,000 |
| Camera Angle Adjustment | Pan: -100°~100°, Tilt: 20°~90° Manual |
| Video | |
| Video Compression | H.264 / MPEG-4 / M-JPEG |
| Max. Video Resolution | 1920 x 1080 |
| Frame Rate | 30fps |
| S/N Ratio | >50dB |
| AGC | Yes |
| AWB | Yes |
| WDR | Yes |
| Audio | |
| Audio Compression | G.711 / AMR / AAC |
| Operation Mode | 1-way audio, Built-in Microphone |
| Network | |
| Interface | 10BASE-T / 100BASE-TX |
| Supported Protocols | TCP / IP, HTTP, SMTP, FTP, DDNS, UPnP, Telnet, NTP, PPPoE, DNS, DHCP, RTSP |
| Security | Password protection, User privilege |
| Function | |
| Video Streaming | Multiple simultaneous streams |
| Image Settings | Contrast, Brightness, Saturation, Sharpness, Mirroring of images, Flip, Auto white balance, Auto Exposure control |
| Event Trigger | Motion detection |
| Notification | Email notification |
| General | |
| On-board Storage | micro SD / SDHC card slot |
| Power Supply | 12 VDC & PoE |
| Power over Ethernet | PoE 802.3af (Class 3) |
| Max. Power Consumption | 12 VDC 4.1W (IR LEDs on) PoE 4.2W (IR LEDs on) |
| Connector | DC Jack, RJ-45 |
| Operating Temperature | 0°C~40°C / 32°F~104°F |
| Dimensions (Φ x H) | 92 x 63mm / 3.62 x 2.48" |
| Weight | 276g / 0.61lbs |
| Certificates | |

Dimensions



* All product specifications are subject to change without notice

* Models vary in different countries. Please visit EverFocus regional websites for detailed ordering information

* Lens models and availability vary in different regions