

## EZN3160

1.3 Megapixel HD Outdoor IR & WDR Bullet Network Camera

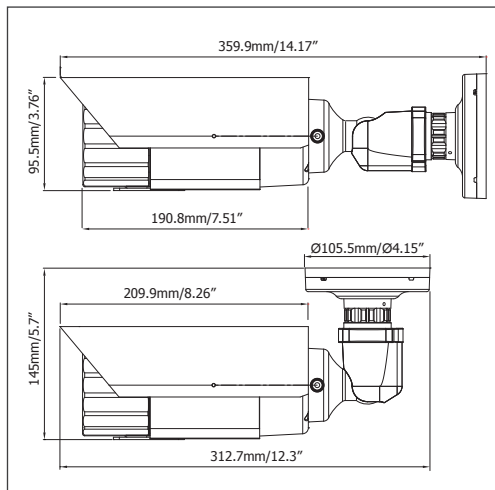
nevio HD Series PSIA & ONVIF Compliant



### Features

- 1/3" HD color CMOS image sensor delivers high resolution, and supports both H.264 and M-JPEG in full frame rate
- Supports both H.264 and M-JPEG in full 30fps frame rate
- High Performance Noise Filter improves image quality
- Wide Dynamic Range
- Provides true day/night functionality with automatic IR filter operation
- Multi profiles settings for allows choice of image quality to fit the environment
- Two Way Audio transport (line level input/output)
- Dual power capability PoE or 12VDC for flexible installation
- Local alarm inputs and outputs
- Extended IR range of up to 40M/131ft. with 44 LEDs
- Split glad to prevent internal IR reflections
- E-Z lock ring at the base is designed with easy to grip tabs for firmly clamp the camera in place, plus a set screw for added security
- Easy bottom access to video test point and lens control inside weatherproof cover plus Remote Zoom & Focus adjustment by web browser
- IP66 and vandal resistant
- Built-in micro SDHC slot for a SDHC card enabling local storage
- Supports EverFocus' CMS and mobile applications
- ONVIF / PSIA compliance interoperates with a broad range of systems

### Dimensions



### Specifications

Pickup Device	1/3" HD progressive scan CMOS sensor
Lens	Vari-focal lens, Auto Iris, 3-10mm, F1.3~360C
Minimum Illumination	Color : 0.1 Lux @ F1.3 B/W : 0.02 @ F1.3 0 Lux @ F1.3 (IR LEDs on)
Day/Night	True Day/Night with IR cut filter
Shutter Time	8.5~1/60,000sec.
Video Compression	H.264/M-JPEG/MPEG-4 (optional)
Max. Video Resolution	1280x1024
Frame Rate	720P@30fps
Angle of View	Wide: Horizontal 100°, Vertical 73.3°, Diagonal 129.1° Tele: Horizontal 27.3°, Vertical 20.4°, Diagonal 34.3°
S/N Ratio	>50 db
Privacy Mask	Yes
Region of Interest	Yes
Video Streaming	Multi-stream H.264, and Motion JPEG: 1 stream in max. resolution at 30 fps; more streams if identical or limited in frame rate/resolution
Image Settings	Compression, Brightness, Sharpness, Contrast, Saturation, Hue, White balance, Exposure control, Backlight compensation, Rotation, Mirroring of images, Text and image overlay, Auto Gain Control, Auto White Balance
WDR	Yes
3D Noise	On/Off
Audio Compression	G.711
Operation Mode	Two-way audio
Interface	10Base-T/100Base-TX auto-negotiation, RJ-45 socket Support MDI/MDI-X auto crossover function
Supported Protocols	TCP/IP, IPV6, UDP, ICMP, DHCP, NTP, DNS, DDNS, SMTP, SNMP, FTP, HTTP, HTTPS, PPPoE, UPnP, Bonjour, RTP, RTSP, RTCP, UDP, IGMP, SSL, ICMP, ARP, ONVIF, PSIA
Alarm Input/Output	1/1
Event Trigger	Alarm Input, Manual Trigger, Motion Detection, Tamper detection
Notification	Trigger alarm output, Send mail notification, Upload video to FTP, Record video to PC and Network alarm
Micro SD Card	Secure Disk physical layer specification version 2.0 Supports SDHC Host Specification
Power Supply	12 VDC & PoE
Power over Ethernet	PoE IEEE 802.3af
Max. Power Consumption	8W (IR LEDs on)
Water Resistant	IP66
Humidity	20% ~ 80% not condensing
Operating Temperature	-40°C~55°C/-40°F~131°F (DC12V) -20°C~55°C/-4°F~131°F (PoE)
Dimensions (O.D.x L) (O.D. x H x L)	(In line) Φ105.5 x 359.9mm/Φ4.15" x 14.17" (Right angle) Φ105.5 x 145 x 312.7mm/Φ4.15" x 5.7" x 12.3"
Weight	1.62 kg/3.57lbs
Certificates	CE, FCC