

EZN850

True Day/Night, Weatherproof IR Network Camera



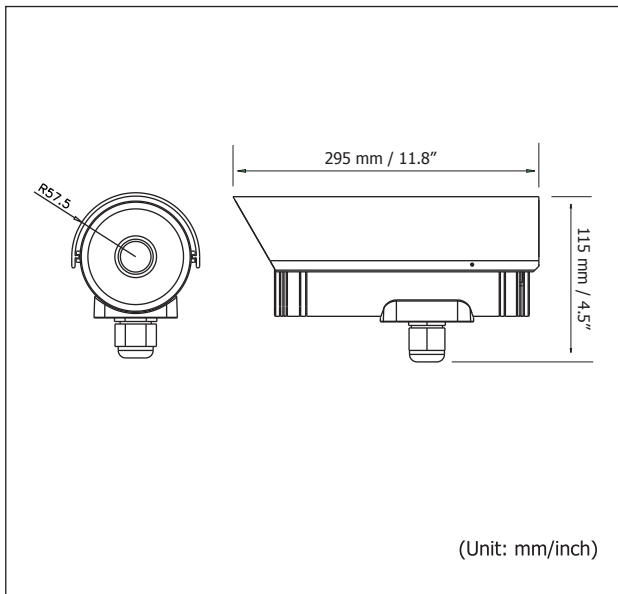
neVio



Features

- Triple stream H.264,/MPEG4/MJPEG digital signal with up to 30 FPS at full D1
- H.264/MPEG4/MJPEG streaming for simultaneous live monitoring and high resolution recording
- Low sensitivity 0.002 Lux/F=1.2 (SENS-UP x128)
- True Day/Night with IR cut filter
- Built-in motorized lens controller for 6~50mm lens zoom & focus (Lens control also available via web browser)
- Cable Management Solution: cable wires can be placed inside camera housing and bracket for a complete IP66 feature and prevents wire damage
- IR distance up to 50 M/164 ft. with vari-frequency IR control
- Smart Wizard settings for various event & schedule recording
- Built-in SD memory card slot for local storage
- Supports SD High Capacity (SDHC)
- Motion detection and privacy area function
- Vandal resistant to withstand intentional destruction
- Built-in heater and IP66 to endure all weather conditions

Dimensions



Specifications

CAMERA	
Pickup Device	1/3" Sony Super HAD Interlaced CCD
Pixel Effective	NTSC: 768 (H) x 494 (V) / PAL: 752 (H) x 582 (V)
Sensitivity	0.002 Lux/F=1.2 (SENS-UP x128), 0 Lux (IR On)
Day/Night	True Day/Night with IR cut filter
Lens	Vari-focal 6~50mm lens (9x optical zoom)
Video Output	BNC socket, composite 1.0 Vp-p / 75 ohm
Video Resolution	560 TVL
IR Distance	50 meters / 164 feet
IR Wavelength	850nm
IR LED Lifespan	Up to 20,000 hours
VIDEO STREAMING	
Video Compression	H.264/MPEG4/MJPEG
Video Resolution	D1, VGA, CIF, QVGA, QCIF: NTSC: 720x480, 640x480, 352x240, 320x240, 176x144, PAL: 720x576, 640x480, 352x288, 320x240, 176x144
Video Quality	8 levels adjustable
Frame Rate	Up to 30 FPS at full D1
NETWORK	
Interface	10Base-T/100Base-TX auto-negotiation, RJ-45 socket. Support MDI/MDI-X auto cross function
Supported Protocols	HTTP, TCP / IP, FTP, SMTP, DHCP, DNS, DDNS, NTP
Bandwidth Control	Min. 64 k bit per sec. adjustable
Max. Client Limit	32 clients simultaneously
Power Over Ethernet	Yes (PoE 802.3af)
TERMINAL I/O	
RS-485	RS-485 interface half duplex
Alarm Input/Output	1 x 1
Power Output	12VDC
EVENT MANAGEMENT	
Event Trigger	Alarm Input, Manual Trigger, Motion Detection and Schedule Recording
Notification	Trigger alarm output, email notification, upload video to FTP, record video to SD card, record video to PC and network alarm
Pre/Post Alarm Buffer	48 MB RAM reserved for pre-alarm (record up to 120 sec.)
LOCAL STORAGE	
SD Card	SD card interface for optional storage. Supports SDHC
POWER	
Power Supply	24VAC
Power Consumption	28 W max.
PHYSICAL	
Weight	2.5 kg/5.5 lbs (w/out bracket), 3 kg /6.6 lbs (w/bracket)
Dimensions (W x H)	295 x 115 mm / 11.8" x 4.5"
ENVIRONMENTAL	
Operating Temp.	-40°C ~ 50°C / -40°F ~ 122°F
Humidity	< 90% not condensing
Vandal Resistant	Yes
Weatherproof	IP66 Rated