

## HAC-T1A21

---

2Megapixel 1080P HDCVI IR Eyeball Camera



### Features

- ☒ 1/2.7" 2Mega pixel CMOS
- ☒ 25/30 fps@ 1080P, 25/30 /50/60 fps@720P
- ☒ High speed, long distance real -time transmission
- ☒ HD and S D switchable
- ☒ OSD Menu, control over coaxial cable
- ☒ DWDR, Day/Night(ICR), AWB, AGC, BLC , 2DNR
- ☒ 3.6mm fixed lens (6mm optional)
- ☒ Max. IR LEDs length 20m, Smart IR
- ☒ DC12V

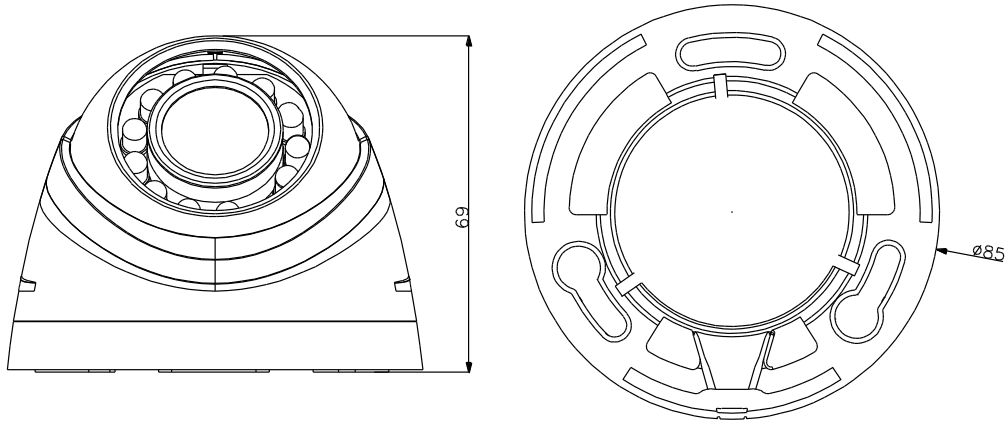
# HAC-T1A21

## Technical Specifications

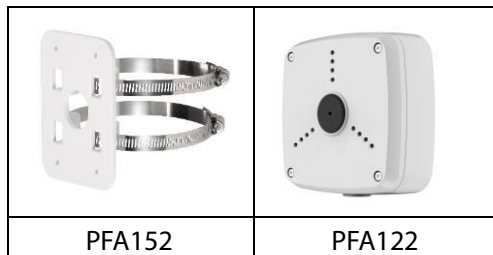
Model	DH-HAC-HDW1 200RP	DH-HAC-HDW1 200RN
Camera		
Image Sensor	1/2.7" 2Megapixel CMOS	
Effective Pixels	1920(H)× 1080(V)	
Electronic Shutter	1/25~1/1000 00s	1/30~1/100000s
Video Frame Rate	25/50 fps@720P; 25fps@1080P	30/60fps@720P; 30fps@1080P
Synchronization	Internal	
Mini. Illumination	0.02Lux/F2.0, 0Lux IR on	
Video Output	1-channel BNC high definition video output/ CVBS standard definition video output (Can switch )	
Camera Features		
Max. IR LEDs Length	20m, Smart IR	
Day/Night	Auto(ICR)/Color/B/W	
Backlight Compensation	DWDR	
Noise Reduction	2D	
OSD Menu	Support	
Lens		
Focal length	3.6mm (6 mm optional)	
Angle of View	H: 89.9° (59.4°)	
Mount Type	M12	
General		
Power Supply	DC12V± 25%	
Power Consumption	Max 2.8W	
Working Environment	-40°C~+ 55°C / Less than 95% RH (no condensation)	
Transmission Distance	Over 500m via 75 -3 coaxial cable	
Dimensions	Φ85mm×69mm	
Weight	0.15kg	
Material	Plastic	

## HAC-T1A21

### Dimensions (mm )



### Accessories (optional)



Dahua Technology Co., Ltd.

1199 BinAn Road, Binjiang District, Hangzhou, China

Tel: +86 -571-87688883

Fax: +86-571-87688815

Email: [overseas@dahuatech.com](mailto:overseas@dahuatech.com)

[www.dahuasecurity.com](http://www.dahuasecurity.com)

\*Design and specifications are subject to change without notice.

© 201 4 Dahua Technology