

iDS-2CD6124FWD-I(Z)/B BEHAVIOR ANALYSIS 2MP Intelligent Network Dome Camera



With Hikvision's built-in industry-leading behavior analysis algorithms, the iDS Intelligence network camera adds significant workplace efficiency with its ability to automatically detect and analyze intelligent events, including line crossing, region entrance, region exiting, intrusion, object removal, unattended baggage. Combined with Hikvision iVMS-5200 Professional video management software, the iDS Intelligence camera is an easy-to-use and cost-efficient data-analyzer solution.

- Up to 2 megapixel (1920×1080) @ 30 fps resolution
- Standard video compression with high compression ratio.
- Progressive scan CMOS
- ROI function (Region of Interest)
- Support behavior analysis (Line crossing, Region entrance, Region exiting, Intrusion)
- Built-in Micro SD / SDHC / SDXC card slot, up to 128GB
- Support 3D DNR
- Support motorized lens 2.8-12mm (-Z)
- Wide dynamic range , up to 120dB
- IR cut filter with auto switch
- Alarm & Audio I/O, two-way audio
- Support three streams, main stream and third stream can be up to 2MP, sub-stream for mobile surveillance
- Support DC/PoE power modes
- Up to 20 channels live view at the same time
- Auto-iris, electronic shutter, BLC for different surveillance environments
- Support local analog video output for adjustment and installation
- LOGO picture can be overlaid on video
- Support VCA, which is compatible with NVR for the second time of video searching and analysing
- Other functions: IP address filtering, anonymous access, PTZ control, alarm, reset button, mirror, etc.
- Impact Protection: IEC60068-2-75 test, Eh, 20J; EN50102, up to IK10



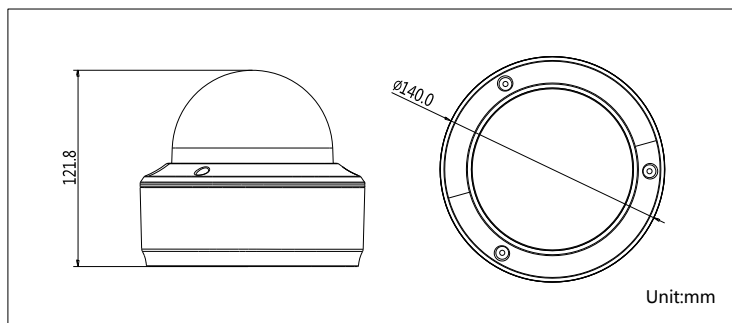
iDS-2CD6124FWD-I(Z)/ B BEHAVIOR ANALYSIS 2MP Intelligent Network Dome Camera



Specification

Camera	
Image Sensor	1/2.8" Progressive Scan CMOS
Min. Illumination	0.01 Lux @ (F1.2, AGC ON), 0 Lux with IR 0.014 Lux @ (F1.4, AGC ON), 0 Lux with IR
Shutter Speed	1/1s ~ 1/100,000s
Slow Shutter	Support
Lens	2.8-12mm @ F1.4, angle of view: 113-33.8° -Z: 2.8-12mm @ F1.4, angle of view: 113-33.8°
Day & Night	IR cut filter with auto switch
DNR	3D Digital Noise Reduction
WDR	120dB Wide Dynamic Range
Lens Mount	Φ14
Compression Standard	
Video Compression	H.264 / MJPEG / MPEG4
H.264 Type	Baseline Profile / Main Profile / High Profile
Video Bit Rate	32 Kbps – 16 Mbps
Audio Compression	G.711/G.722.1/G.726/MP2L2
Audio Bit Rate	64Kbps(G.711) / 16Kbps(G.722.1) / 16Kbps(G.726) / 32-128Kbps(MP2L2)
Image	
Max. Resolution	1920x 1080
Frame Rate (main stream)	50Hz: 25fps(1920 × 1080,1280 × 960,1280 × 720) 60Hz: 30fps(1920 × 1080,1280 × 960,1280 × 720)
Image Setting	Rotate Mode, Saturation, Brightness, Contrast, Sharpness adjustable by client software or web browser
BLC	Yes, zone configurable
HLC	Yes
EIS	Yes
Day/Night Switch	Auto/Schedule/Triggered by Alarm In
Picture Overlay	LOGO picture can be overlaid on video with 128x128 24bit bmp format
RoI	Support
Interface	
Audio Interface	1 x 3.5mm audio input (Mic in / Line in)
Communication Interface	1 x RJ45 10M/100M Ethernet interface/1 RS232/1 RS-485
Alarm I/O	1/1

Dimensions (mm)



Network	
Network Storage	NAS(NFS, SMB/HIFS), edge recording
Alarm Trigger	Face Detection , Defocus Detection , Scene Change, Audio Abnormal, Motion detection, Tampering alarm, Network disconnect, IP address conflict, Storage exception
Protocols	TCP/IP, ICMP, HTTP, HTTPS, FTP, DHCP, DNS, DDNS, RTP, RTSP, RTCP, PPPoE, NTP, UPnP, SMTP, SNMP, IGMP, 802.1X, QoS, IPv6, Bonjour
Standard	ONVIF, PSIA, CGI, ISAPI
Common features	Reset, flickerless, three streams, heartbeat, mirror, password protection, video masking, watermark, anonymous login, IP address filtering
Intelligent	
Behavior analysis	Line crossing, Region entrance, Region exiting, Intrusion, Object removal, unattended baggage
General	
Operating Conditions	-30 °C – 60 °C (-22 °F – 140 °F), Humidity 95% or less (non-condensing)
Power Supply	12 V DC ± 10%, PoE (802.3af)
IR Range	Approx. 10 to 30 meters
Power Consumption	Max. 13.5W
Dimensions	Φ 140 × 121.8 mm (Φ 5.51" × 4.80")
Weight	1400 g (3.09 lbs)
Order Models	
iDS-2CD6124FWD-I/B, iDS-2CD6124FWD-IZ/B	

Accessories



Indoor in-ceiling mount
DS-1227ZJ



Indoor wall mount
DS-1273ZJ-130