

CMOS IP Camera

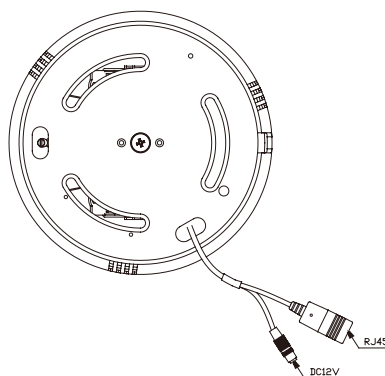
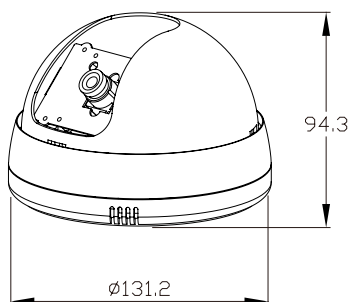
HLC-15V

Main Features

- MPEG-4/MJPEG compression format
- Power over Ethernet available
- SD Card backup
- Support cell phone/PDA/3GPP
- Dual Streaming
- SDK for software integration
- Free bundle 36 channel recording software



Interface



Unit: mm

Specifications

Hardware	
CPU	ARM 9, 32 bit RISC
RAM	32MB
Flash	8MB
Image Sensor	1/4" CMOS
Sensitivity	1.0 lux @ F2.0
Lens Type	4.0 mm lens, F2.0
Power over Ethernet	Optional
Power Consumption	DC 12V, 320mA
Operating Temperature	0°C~40°C
Dimensions	131.2mm(φ) x 94.3mm(H)
Weight	300 g
Network	
Ethernet	10/ 100 Base-T
Network Protocol	HTTP, TCP/ IP, UDP, SMTP, FTP, PPPoE, DHCP, DDNS, NTP, 3GPP, UPnP

System	
Video Resolution	640x480, 320x240, 160x120
Video Adjust	Brightness, Contrast, Exposure, Sharpness, AGC, Night Mode
Dual Streaming	Yes
Image Snapshot	Yes
Full Screen Monitoring	Yes
Compression Format	MPEG-4 / MJPEG
Video Bitrate Adjust	CBR, VBR
Motion Detection	Yes, 3 different areas
Triggered Action	Mail, FTP, Save to SD card
Pre/ Post Alarm	Yes, configurable
Security	Password protection
Firmware Upgrade	HTTP mode, can be upgraded remotely
Simultaneous Connection	Up to 10
SD card management	
Recording Trigger	Motion Detection, IP check, Network status (wire connection only)
Video Format	AVI, JPEG
Video Playback	Yes
Delete Files	Yes
Client system requirements	
OS	Windows 2000/2003, XP, Vista, Microsoft IE 6.0 or above
Hardware	
Suggested	Intel-C 2.0G, RAM: 512MB, Graphic card: 64MB
Minimum	Intel-C 1.6G, RAM: 256MB, Graphic card: 32MB

SPECIFICATIONS ARE SUBJECT TO CHANGE WITHOUT NOTICE