

# V1492 Series

## Integrated High-speed PTZ Camera System

**Infinova**  
The Integrator's Manufacturer

### Features

- Compatible with various SONY and HITACHI camera modules
- High-strength aluminum-alloy casting, heat-resistant, anti-corrosion
- Compatible with INFINOVA and PELCO-P/D protocols
- Up to 254 camera addresses
- Privacy mask
- Direction display
- 360° continuous Pan rotation and +40°~90° Tilt rotation
- Up to 100°/s Pan rotation speed and 30°/s Tilt rotation speed
- Window wiper, built-in heater and window defroster/defogger, applicable for various weather conditions
- Operational in 90 mph wind conditions; withstanding wind velocity of up to 130 mph
- IP66 environment rating



### Ordering Information

V1492-23A05	Integrated High-speed PTZ Camera System (23X, Day/night, NTSC, 24VDC)
V1492-36A05	Integrated High-speed PTZ Camera System (36X, Day/night, NTSC, 24VDC)
V1492-23A06	Integrated High-speed PTZ Camera System (23X, Day/night, NTSC, 24VAC)
V1492-36A06	Integrated High-speed PTZ Camera System (36X, Day/night, NTSC, 24VAC)
V1492-23A07	Integrated High-speed PTZ Camera System (23X, Day/night, NTSC, 110VAC)
V1492-36A07	Integrated High-speed PTZ Camera System (36X, Day/night, NTSC, 110VAC)
V1492-23A15	Integrated High-speed PTZ Camera System (23X, Day/night, PAL, 24VDC)
V1492-36A15	Integrated High-speed PTZ Camera System (36X, Day/night, PAL, 24VDC)
V1492-23A16	Integrated High-speed PTZ Camera System (23X, Day/night, PAL, 24VAC)
V1492-36A16	Integrated High-speed PTZ Camera System (36X, Day/night, PAL, 24VAC)
V1492-23A18	Integrated High-speed PTZ Camera System (23X, Day/night, PAL, 230VAC)
V1492-36A18	Integrated High-speed PTZ Camera System (36X, Day/night, PAL, 230VAC)

### Recommended Installation Mounts

V1662-W1	Wall Mount, 15"
V1662-S1	Pole Side Mount, 15"
V1662-C1	Corner Mount, 15"

### Description

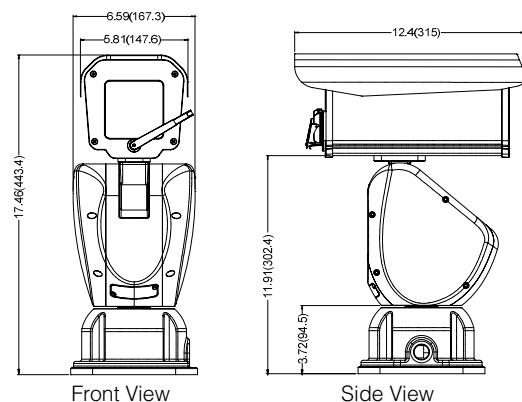
V1492 series integrated high-speed PTZ camera system integrates a decoder, a PTZ and a housing, together with an integrated programmable camera module and a wiper. The camera module consists of an auto zoom camera (HITACHI or SONY) and a lens. The wiper is properly installed to the housing, which will not affect the range of system observation. In addition, the wiper can be turned on/off via program control and easily replaced.

Use of high-strength aluminum alloy materials makes V1492 series suitable for both indoor and outdoor applications. The system has an operating temperature range of -40°F~140°F (-40°C~60°C). At a very low temperature, the built-in heater can be automatically enabled to ensure the system works normally. In addition, the built-in defroster and defogger can be enabled under the program control to deal with harsh conditions.

V1492 series allow the following rotation speed: 0.1°/s~50°/s for 360° continuous pan rotation; 0.1°/s~25°/s for +40°~90° tilt rotation; 100°/s for Preset pan rotation; 30°/s for Preset tilt rotation.

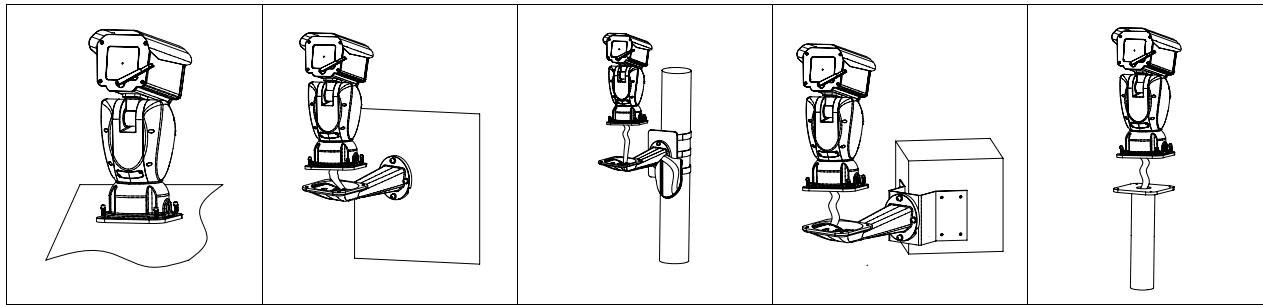
V1492 series can be powered by 24VAC/24VDC/110VAC/230VAC.

### Dimensions



(Unit: inch, in the parentheses is mm)

## Mounting



Surface Mount

Wall Mount

Pole Side Mount

Corner Mount

Pole Top Mount

## Specifications

Decoder	INFINOVA, PELCO-P/D
Presets	254 (maximum)
Tours	6
Patterns	4
Auto Pan	4
Auto Scan	1
Spherical Privacy Zones	24 (36X) 4 (23X)
Video Blanking Sectors	16 areas
Variable Pan/Tilt Speed	Pan: 0.1°/s~50°/s Tilt: 0.1°/s~25°/s
Preset Speeds	Pan: 100°/s (maximum); Tilt: 30°/s (maximum)
Pan Rotation Angle	360°
Tilt Rotation Angle	+40°~-90°
Construction	High-strength aluminum alloy, stainless steel
Environmental Rating	IP66
Mounting	Surface Mount; Wall Mount; Pole Side Mount; Corner Mount; Pole Top Mount
Load	Pan: 22lbs. (10kg); Tilt: 7.7lbs. (3.5kg)
Product Weight	21.16lbs. (9.6kg)
Shipping Weight	30.86lbs (14kg)
Box Dimension (LxWxH)	22.99"×16.81"×10" (584mm×427mm×254mm)
Power Supply	24VAC/24VDC/110VAC/230VAC
Power Consumption	24VAC: 53W; 24VDC: 46W; 120VAC: 56W; 230VAC: 59W
Pressure	≤1.5MPa
Operating Temperature	-40°F~140°F (-40°C~60°C)
Storage Temperature	-40°F~140°F (-40°C~60°C)
Heater	Thermostatically controlled, Turn on at 46°F±9°F (10°C±5°C); Turn off at 68°F±9°F (30°C±5°C)
Operating Humidity	0~95%RH (non-condensing)
Certifications	CE (Certificate No: RSZ07121702-1&2); LVD: ( Certificate No: BCT08KC-880S); FCC: Part15 Subpart B (Certificate No: RSZ07121702); ISO 9001:2008

## Camera Parameters

Optic Zoom	23X	36X
Video Type	PAL/NTSC (D/N)	
Scanning System	2:1 Interlace Scanning	
Image Sensor	1/4" Progressive scanning CCD	1/4" Interlace scanning CCD
Effective Pixels (HxV)	PAL/440K: 752x582; NTSC/380K: 768x494	
Lens	F1.6~F3.7; f=3.6~82.8mm	F1.6- F4.5; f=3.4~122.4mm
Angle of View	54° (Wide)/2.5° (Tele)	57.8° (Wide)/1.7° (Tele)
Min. Work Distance	0.01m (Wide) ~ 1.0m (Tele)	0.32 m (Wide) ~ 1.5m (Tele)
Sensitivity	Color Mode: 0.02lux @F1.6 (30 IRE. AGC max. PAL: 1/50s, NTSC:1/60s) 0.01lux @F1.6 (30 IRE. AGC max. PAL: 1/3s, NTSC:1/4s) B/W Mode: 0.01lux @F1.6 (30 IRE. AGC max. PAL: 1/50s, NTSC:1/60s) 0.01lux @F1.6 (30 IRE. AGC max. PAL: 1/3s, NTSC:1/4s)	Color mode: 0.66 lux @F1.6 (30 IRE, PAL: 1/50s, NTSC: 1/60s) 0.01 lux @F1.6 (30 IRE, PAL: 1/3s, NTSC: 1/4s) B/W mode: 0.01 lux @F1.6 (30 IRE, PAL: 1/3s, NTSC:1/4s)
Horizontal Resolution	540TVL	550 TVL
S/N Ratio	>50dB	
Video Output	1.0±0.2Vp-p	
Backlight Compensation	ON/OFF	
Sync System	Internal/External	
WDR	OFF/WDR/AD WDR/WDR*/AD WDR*	ON/OFF
FNR	OFF/AUTO/MANU	AUTO (5-level adjustable)/OFF
Stabilization	/	ON/OFF
Digital Zoom	1~12X Adjustable	
DSS	Yes	
Focus	Auto / Manual / M/A	
White Balance	AUTO/MANU/SODI/MERC	AUTO/MANU/ATW/INDOOR/OUTDOOR
Shutter Speed	Auto: Default Manual: PAL: 1/1.5~1/30000s NTSC: 1/2~1/30000s	Auto: Default Manual: PAL:1/3~1/10000s NTSC:1/4~1/10000s
Iris	Auto / Manual / M/A	