

# V1720A E2 Series

## Indoor Recessed Ceiling and Bracket Mount PTZ Domes

**Infinova**<sup>®</sup>  
The Integrator's Manufacturer

### Features

- Infinova, Pelco-P/D protocol self-adaptive; compatible with Up-the-Coax protocol
- Both hard and soft addresses
- Smooth running, high sensitivity, low noise
- 4 motion detection areas, associated with 2 alarm relays
- Two privacy mask modes
- 254 presets, preset speed at max 400°/s, position precisely
- Super wide dynamic range (WDR), illumination ratio up to 128X
- Support zoom window function
- 4 alarm inputs, 2 relay outputs, alarm associated with presets
- Surge and lightning protection: ±2000VA
- Practical anti-dropping design



### Ordering Information

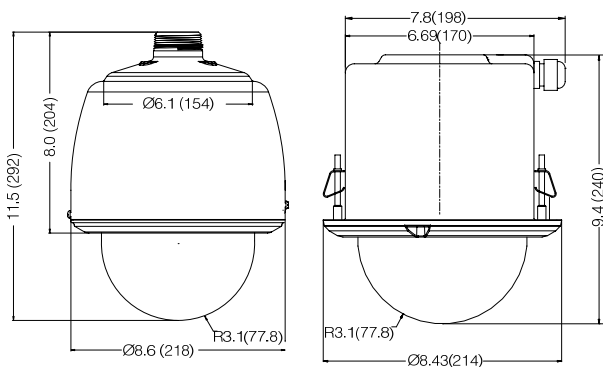
Please consult the part number guide on the next page for complete part numbering information.

#### Optional Bracket Models

V1761	Wall Mount, 10", 1.5" NPT
V1761L	Wall Mount, 17", 1.5" NPT
V1762	Corner Mount, 10", 1.5" NPT
V1763	Pole Mount, 10", 1.5" NPT
V1764	Indoor Pendent Mount, 15", 1.5" NPT
V1766	Indoor Drop Ceiling Panel, 2"x2"

Please refer to V1760 series indoor/outdoor dome mounts for details.

### Dimensions



Indoor bracket

Indoor ceiling

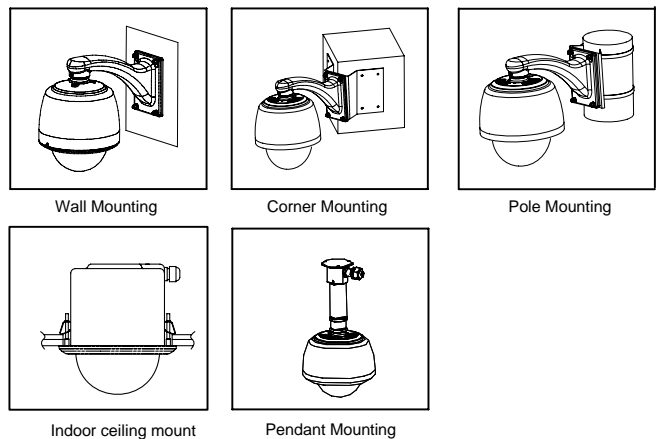
(Unit: inch, in the parentheses is mm)

### Description

V1720A E2 series intelligent domes are the perfect combination of art and technology, leading the new trend of dome cameras. The domes feature auto focus, auto white balance, with 23X/35X/36X optical zoom and 12X digital zoom available. The domes can be controlled with the speed from 0.08°/s to 400°/s, with high sensitivity, smooth movement, and low noise.

254 presets and 4 patterns are provided, in which the presets can be called manually, or triggered by alarm inputs. Password Protection function can prevent the illegal users altering the inner parameters. Home Position function helps the users to call the scene that scheduled before without manual adjustment. The dome supports up to 16 Areas. Users can assign names and boundaries to these Areas; each Area can be a different size. The domes also feature 360° Rotation, Auto Flip, and Privacy Mask functions. On the client PC, the function of Zoom Selected Area is available.

### Mounting



Wall Mounting

Corner Mounting

Pole Mounting

Indoor ceiling mount

Pendant Mounting

## Specifications

Programmable Presets	254
Programmable Patterns	4
Programmable Autopans	4
Programmable Areas	16
Video Blanking Sectors	16
Spherical Privacy Zones	4 (23X/35X) 24 (36X)
Tours	6
Alarm Inputs	4 alarm inputs
Alarm Outputs	2 relay outputs
Motion Detection	Yes (36X)
Home Position	Yes
Auto Scan	Yes
Image Mirror	Yes
WDR	Yes
Stabilization	Yes (35X/36X)
FNR	Yes
Zoom Selected Area	Yes (PELCO-D)
Protocols	INFINOVA, PELCO-P/D (self-adaptive), Up-the-Coax protocol optional
Number of Addresses	1~254
Baud Rate	2400/4800/9600bps optional
Manual Speed	Pan: 0.08°~200°/s; Tilt: 0.2°~100°/s
Preset Speed	400°/s maximum
Pan Travel	360° continuous
Tilt Travel	0°~90°
Preset Accuracy	±0.1°
Motor	Stepping motor
Mounting	Bracket, ceiling
Product Dimension	Bracket: 11.5"×Φ8.6" (292mm×Φ218mm); Ceiling: 9.4"×Φ8.4" (240mm×Φ214mm)
Package Dimension	19.09"×11.02"×11.81" (485mm×280mm×300mm)
Product weight	Bracket: 7.1lbs (3.2kg), Ceiling:6.2lbs (2.8kg)
Shipping Weight	Bracket: 10.6lbs (4.8kg), Ceiling: 9.5lbs (4.3kg)
Power Supply	12VDC, 24VAC
Power Consumption	12VDC: 18W; 24VAC: 25W
Power Surge Protection	Yes
Internal Synchronization	Built-in sync generator
Line-locked Synchronization	Remote V-phase adjustment
Operating Temperature	-4°F ~ 122°F (-20°C ~ +50°C)
Storage Temperature	-4°F ~ 140°F (-20°C ~ +60°C)
Operating Humidity	0~90%RH (non-condensing)
Certifications	CE/EMC: EN 55022, EN 55024, EN 61000-3-2, EN 61000-3-3 (Certificate NO.: BCT12HC-1418E) FCC: Part15 Subpart B (Certificate NO.: BCT12HC-1419E); ISO 9001:2008; UL

## PTZ Dome Camera Part Numbering

Type	Bubble	23X D/N	35X D/N	36X D/N
Indoor Recessed Ceiling Mount NTSC Camera 24VAC	Vandal-Resistant Clear	V1727A-C0C3C6E2	V1729A-C0C3C6E2	V1723A-C0C3C6E2
	Vandal-Resistant Smoked	V1727A-C0S3C6E2	V1729A-C0S3C6E2	V1723A-C0S3C6E2
Indoor Recessed Ceiling Mount PAL Camera 24VAC	Vandal-Resistant Clear	V1727A-C1C3C6E2	V1729A-C1C3C6E2	V1723A-C1C3C6E2
	Vandal-Resistant Smoked	V1727A-C1S3C6E2	V1729A-C1S3C6E2	V1723A-C1S3C6E2
Indoor Pendant Mount NTSC Camera 24VAC	Vandal-Resistant Clear	V1727A-C0C3B6E2	V1729A-C0C3B6E2	V1723A-C0C3B6E2
	Vandal-Resistant Smoked	V1727A-C0S3B6E2	V1729A-C0S3B6E2	V1723A-C0S3B6E2
Indoor Pendant Mount PAL Camera 24VAC	Vandal-Resistant Clear	V1727A-C1C3B6E2	V1729A-C1C3B6E2	V1723A-C1C3B6E2
	Vandal-Resistant Smoked	V1727A-C1S3B6E2	V1729A-C1S3B6E2	V1723A-C1S3B6E2

### Part Number Extensions for Power Input Selection

12 VDC	24 VAC	EX: 12 DC Input	EX: 24 VAC Input
5	6	V1727A-C0C3C5E2	V1727A-C0C3C6E2

## Camera Parameters

Optical Zoom	23X	35X	36X
Video Type	PAL/NTSC (D/N)	PAL/NTSC (D/N)	PAL/NTSC (D/N)
Scanning System	2:1 Interlace scanning		
Image Sensor	1/4" Interlace Scanning CCD	1/4" Progressive scanning CCD	1/4 " Interlace scanning CCD
Resolution (HxV)	PAL/440K: 752x582; NTSC/380K: 768x494		
Aperture / Focal Length	F1.6~F3.7; f=3.6~82.8mm	F1.4~F4.2; f=3.4~119mm	F1.6~F4.5; f=3.4~122.4mm
Angle of View	54°(Wide) / 2.5°(Tele)	58.2°(Wide) / 1.8°(Tele)	57.8°(Wide) / 1.7°(Tele)
Min. Work Distance	0.01m(Wide) ~ 1.0m(Tele)	0.01m(Wide) ~ 1.5m(Tele)	0.32m(Wide) ~ 1.5m(Tele)
Sensitivity	Color mode: 0.02 lux @ F1.6 (30IRE. AGC max. PAL: 1/50s, NTSC:1/60s); 0.01 lux @ F1.6 (30IRE. AGC max. PAL: 1/3s, NTSC:1/4s) B/W Mode: 0.01 lux @ F1.6 (30IRE. AGC max. PAL: 1/50s, NTSC:1/60s); 0.01 lux @ F1.6 (30IRE. AGC max. PAL: 1/3s, NTSC:1/4s)	Color mode: 0.03 lux @ F1.4 (30IRE. AGC max. PAL: 1/50s, NTSC:1/60s); 0.02 lux @ F1.4 (30IRE. AGC max. PAL: 1/3s, NTSC:1/4s) B/W Mode: 0.02 lux @ F1.4 (30IRE. AGC max. PAL: 1/50s, NTSC:1/60s); 0.01 lux @ F1.4 (30IRE. AGC max. PAL: 1/3s, NTSC:1/4s)	Color mode: 0.66 lux @ F1.6 (30IRE. PAL: 1/50s, NTSC:1/60s); 0.01 lux @ F1.6 (30IRE. PAL: 1/3s, NTSC:1/4s) B/W Mode: 0.01 lux @ F1.6 (30IRE. PAL: 1/3s, NTSC:1/4s)
Horizontal	540TVL		550TVL
S/N Ratio	>50dB		
Video Output	1.0 ± 0.2Vp-p		
Backlight Compensation	ON/OFF		
Sync System	Internal/Line-locked		
WDR	OFF/WDR/AD WDR/WDR*/AD WDR*	OFF/WDR/AD WDR/ WDR*/AD WDR*	OFF/HISTOGRAM/EXPOSURE RATIO/AUTO
FNR	OFF/AUTO/MANU	OFF/AUTO/MANU	ON/OFF
Stabilization	/	ON/OFF	ON/OFF
Digital Zoom	1~12X adjustable		
DSS	Yes	Yes	Yes
Focus	AUTO / MANU / M/A		
White Balance	AUTO/MANU/MERC/SODI	AUTO/MANU/MERC/SODI	AUTO/MANU/INDOOR/OUTDOOR/ OUTDOOR AUTO/SODI/ATW
Shutter Speed	Auto: Default Set Manual:PAL: 1/1.5~1/30000s NTSC: 1/2~1/30000s	Auto: Default Set Manual: PAL: 1/1.5~1/30000s NTSC: 1/2~1/30000s	Auto: Default Set Manual: PAL: 1/3~1/10000s NTSC: 1/4~1/10000s
Iris	AUTO / MANU / M/A		