

V1772N-G Series

Megapixel IP PTZ Recessed Ceiling and Bracket Mount Domes

Infinova
The Integrator's Manufacturer

Features

- 10X, 20X HD integrated camera module, with the maximum resolution up to 1920×1080 @ 25fps (PAL) / 30fps (NTSC)
- 18X HD integrated camera module optional, with the maximum resolution up to 1280×720 @ 25fps (PAL) / 30fps (NTSC)
- Support H.264 high profile & M-JPEG dual-stream encoding, three simultaneous video streams
- ONVIF-compliant
- Remote PTZ Control via network
- Support area zoom, image PTZ function
- Web Graphic User Interface
- Support dome title settings and display
- Multiple white balance modes
- Support image mirror
- Timing switch between color and black-white modes
- Local recording
- Support preset, pattern, autoscan, autopan, time tour, normal tour and power-on return
- Support privacy mask and motion detection
- Remote upgrade via network
- Standard SDK, easily to be integrated with other digital systems
- Outdoor IP66 rating, with built-in heater and air cycle system and freeze-proof

Ordering Information

For complete part numbering information, please refer to the Part Numbering guide.

ACCESSORIES

V1761	Wall Mount, 10" horizontal, 1.5" NPT
V1761L	Wall Mount, 17" horizontal, 1.5" NPT
V1762	Corner Mount, 10" horizontal, 1.5" NPT
V1763	Pole Mount, 10" horizontal, 1.5" NPT
V1764	Pendent Mount, 15" long vertical, 1.5" NPT, indoor
V1764A	Pendent Mount, 15" long vertical, 1.5" NPT, outdoor side opening for wiring
V1764B	Pendent Mount, 15" long vertical, 1.5" NPT, outdoor top opening for wiring
V1765	Parapet Mount, 12" horizontal, vertical attachment, 1.5" NPT
V1765A	Parapet Mount, V1765 horizontal attachment adapter

For detailed information, please refer to V1760 series indoor/outdoor dome mounts.



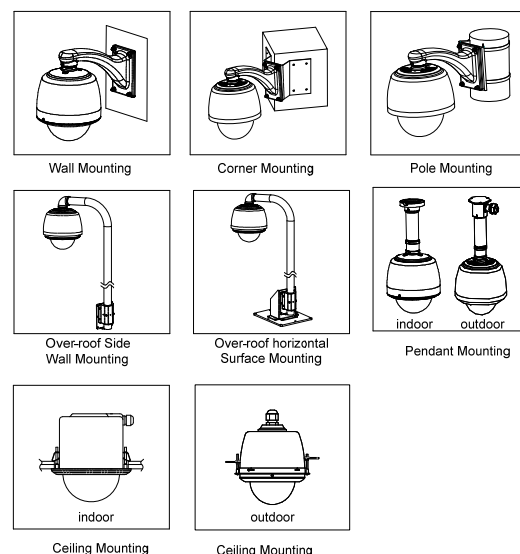
Description

Infinova's V1772N-G series megapixel IP PTZ domes provide users a high-definition, high frame rate and high SNR real-time images acquisition system. V1772N-G series PTZ domes provide the ability to view and control H.264 High profile/M-JPEG dual encoded HD video, and also support three video streams.

The user-friendly GUI interface is designed for easy PTZ control and convenient camera parameter settings. Thus, it makes easier to set the PTZ and perform operations with a mouse than traditional keyboard. In addition, area zoom and image PTZ are also offered.

Infinova's V1772N-G series domes also provide functions such as preset, pattern, autoscan and autopan etc.

Mounting



Specifications

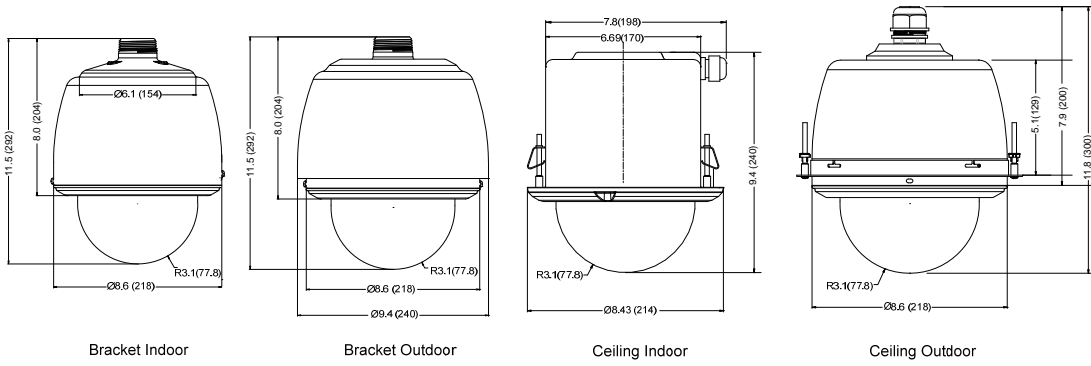
Models		V1772N-10GP	V1772N-20GH	V1772N-18GH
Lens	Optical Zoom	10X	20X	18X
	Aperture /Focal Length	F1.8~F2.5, f=6.3~63mm	F1.6~F3.5, f=4.7~94mm	F1.6~F2.8, f=4.7~84.6mm
	Angle of View (H)	Horizontal: 5.5° ~ 50.6° Vertical: 3.1° ~ 29.3° Diagonal: 6.2° ~ 57°	55.2° (Wide) ~ 2.9° (Tele)	55.2° (Wide) ~ 3.2° (Tele)
	Min. Work Distance	/	0.01m (Wide) ~ 1.0m (Tele)	0.01m (Wide) ~ 1m (Tele)
Camera	Image Sensor	1/2.5" CMOS	1/2.8" CMOS	1/3" CCD
	Scanning System	Progressive scanning		
	Effective Resolution	2320(H)×1728(V) approximately 4.0 MP	2.0 MP	1.0 MP
	Signal/Noise Ratio	>50dB		
	Sensitivity	Color mode: 2 lux @ F1.8 B/W mode: 0.1 lux @ F1.8	Color mode: 1.6 lux @ F1.6 (NTSC: 1/60s, PAL: 1/50s) B/W mode: 0.04 lux @ F1.6 (NTSC: 1/4s, PAL: 1/3s)	Color mode: (1/30s): 1.8 lux @ F1.6 (50IRE) B/W mode (1/4s): 0.02 lux @ F1.6 (50IRE)
	Sync System	Internal		
	Presets	1~255		
Patterns	4			
Autopans	4			
Tours	6 (each tour can be associated with 14 acts, including preset 1~32, pattern 1~4, autopan 1~4)			
Home Position	Yes			
Time Tour	Yes			
Autoscan	Yes			
Privacy Mask	Yes, 15 areas	Yes, 4 areas	Yes, 4 areas	
Motion Detection	Yes, 4 areas			
Iris	Auto / Manu / M.A			
Focus	Auto / Manu / M.A			
Shutter	Auto (1/60s~1/10000s, adjustable)	Auto (1/1.5s~1/30000s, adjustable)	Auto (1/30s~1/10000s, adjustable)	
Slow Shutter	Yes	Yes	/	
Image Mirror	Off/Horizontal/Vertical/Origin	Off/Horizontal/Vertical/Origin	Off/Horizontal	
Image Freeze	Yes	Yes	/	
DNR	Yes, 3D	Yes	/	
White Balance	AUTO/SINGLE (automatically adjust once as per environment)/MANU/INDOOR/ OUTDOOR/FLUORE	AUTO/MANU/MERC/SODI	AUTO/MANU/MERC/SODI	
Auto Gain Control	Yes			
WDR	/	OFF/WDR/AD WDR/ WDR*/AD WDR*	On/Off	
Backlight Compensation	Off/Multipoint evaluation/center compensation	On/Off	On/Off	
Area Zoom	Yes			
Others	Hue, saturation, sharpness			
Web Server	Yes			
Network Upgrade	Yes			

Models		V1772N-10GP	V1772N-20GH	V1772N-18GH
Video	Video Compression	H.264 High profile/M-JPEG		
	Max. Resolution	1920×1080@25fps(50Hz) /30fps(60Hz)	1920×1080@25fps(50Hz)/ 30fps(60Hz)	1280×720@25fps(50Hz) /30fps(60Hz)
	Output Bit Rate	1Mbps~8Mbps	1Mbps~8Mbps	1Mbps~6Mbps
	Network Delay	<300ms		
IP	Network Port	1*10M/100M Ethernet port, self-adaptive, RJ-45		
	Network Protocol	TCP/IP, HTTP, ICMP, UDP, SMTP, RTP, RTSP, SNMP, ARP		
Mechanical	Manual Pan Speed	0.1°~300°/s		
	Manual Tilt Speed	0.1°~90°/s		
	Preset Speed	Max. 300°/s		
	Pan Travel	360° continuous		
	Tilt Travel	0°~90°		
	Preset Accuracy	±0.1°		
	Motor	Stepping motor		
Electrical	Power Supply	24VAC/24VDC self-adaptive		
	Power Consumption	24VAC: 20W (indoor); 35W (outdoor) 24VDC: 20W (indoor); 33W (outdoor)		
	Surge Protection	Yes, ±2000V		
Environment	Working Temperature	Indoor: -4°F ~ +122°F (-20°C~+50°C); Outdoor: -40°F ~ +122°F(-40°C~+50°C)		
	Working Humidity	0 ~ 90%RH (non-condensing)		
	Mounting	Bracket, ceiling		
Physical	Product Dimension (HxD)	Indoor bracket: 11.5" × Φ8.6" (292mm × Φ218mm); Indoor ceiling: 9.4" × Φ8.4" (240mm × Φ214mm) Outdoor bracket: 11.5" × Φ 9.4"(292mm × Φ240mm); Outdoor ceiling: 11.8" × Φ8.6" (300mm × 218mm)		
	Box Dimension (LxWxH)	19.09" × 11.02" × 11.81" (485mm×280mm×300mm)		
Certifications		CE/EMC: EN 55022, EN 55024, EN 61000-3-2, EN 61000-3-3 (Certificate NO.: BCT12FC-0741E); FCC: Part15 Subpart B (Certificate NO.: BCT12FC-0742E); ISO 9001:2008; UL		

PTZ Dome Camera Part Numbering

Type	Bubble	V1772N-10GP	V1772N-18GH	V1772N-20GH
Indoor Pendant Mount Camera	Vandal-Resistant Clear	V1772N-10G2N3B3P	V1772N-18G0N3B3H	V1772N-20G2N3B3H
	Vandal-Resistant Smoked	V1772N-10G2N4B3P	V1772N-18G0N4B3H	V1772N-20G2N4B3H
Outdoor Pendant Mount Camera	Vandal-Resistant Clear	V1772N-10G2U3B3P	V1772N-18G0U3B3H	V1772N-20G2U3B3H
	Vandal-Resistant Smoked	V1772N-10G2U4B3P	V1772N-18G0U4B3H	V1772N-20G2U4B3H
Indoor Recessed Ceiling Mount Camera	Vandal-Resistant Clear	V1772N-10G2N3C3P	V1772N-18G0N3C3H	V1772N-20G2N3C3H
	Vandal-Resistant Smoked	V1772N-10G2N4C3P	V1772N-18G0N4C3H	V1772N-20G2N4C3H
Outdoor Recessed Ceiling Mount Camera	Vandal-Resistant Clear	V1772N-10G2U3C3P	V1772N-18G0U3C3H	V1772N-20G2U3C3H
	Vandal-Resistant Smoked	V1772N-10G2U4C3P	V1772N-18G0U4C3H	V1772N-20G2U4C3H

Dimensions



(Unit: inch, in the parentheses is mm)

System Application

