

V5123-A3 Series

Fixed WDR Color Camera

Infinova
The Integrator's Manufacturer

Features

- 1/3" PIXIM DPS (Digital Pixel System)
- 520TVL, normal mode and high sharpness mode optional
- Super wide dynamic range: 120dB
- Programmable OSD menu
- Motion detection, link with alarm output and digital zoom functions
- Privacy mask
- 4X digital zoom
- Gamma correction
- RS485 remote control
- Image mirror, flip function



(Lens not included)

Ordering Information

V5123-A3124 Analog fixed camera, WDR, Color only, PAL/NTSC, 520 TVL, 12VDC/24VAC

Note: Under indoor fluorescent lamp illumination, 24VAC power input is recommended.

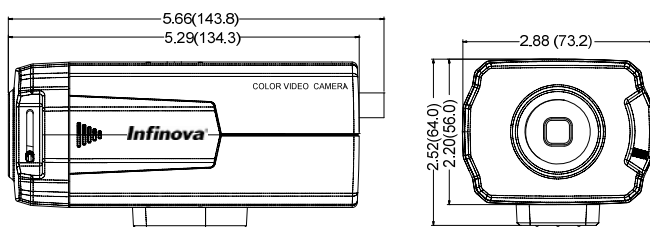
ACCESSORIES

Power Supplies

N3921-24A-1 Power Supply, 24VAC, 20VA, Plug-In, 120VAC

N3921-24A-2 Power Supply, 24VAC, 20VA, Plug-In, 230VAC

Dimensions



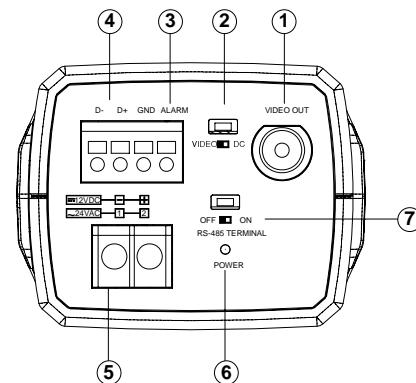
(Unit: inch, in the parentheses is mm)

Description

Infinova's V5123-A3 series fixed WDR color cameras feature comprehensive functions for surveillance in harsh environment. Based on PIXIM DPS (Digital Pixel System), these cameras provide up to 120dB super wide dynamic range, despite lighting conditions or applications. In addition, advanced DSS (Digital Slow Shutter) technology ensures natural color and more details for image selection.

V5123-A3 series is a very attractive choice for your CCTV surveillance in challenging lighting conditions, such as banks, entrance & exits, city roads and steel-making factories.

Back Panel



- ① Video Output
- ② Auto Iris Drive Mode Selection (DC or Video)
- ③ Alarm Port
- ④ RS485 Communication Connector
- ⑤ Power Input Terminal
- ⑥ Power LED Indicator
- ⑦ RS485 Terminal DIP Switch

Specifications

Model	V5123-A3
Image Sensor	1/3" PIXIM DPS (Digital Pixel System)
Effective Pixels (H x V)	720 x 540
WDR	Standard 102 dB, Maximum 120 dB (17 bit)
Resolution	520TVL
Sensitivity	0.5 lux @ F1.2 (30IRE, AGC Maximum)
S/N Ratio	>52 dB (AGC OFF)
OSD	Yes
Auto Gain Control	OSD menu control, High/Medium/Low/OFF/Manual
Backlight Compensation	ON/OFF
Auto Electronic Shutter	AUTO; MANU: NTSC: 1/60~1/100,000s, PAL: 1/50~1/100,000s
Digital Slow Shutter	32X, 16X, 8X, 4X, 2X
White Balance	ATW / AWB / MWB
Color Temperature Range	2000K~11000K
Gamma Correction	CRT/LCD
Sync. System	Internal / Line Lock
Digital Zoom	4X
Motion Detection:	Yes
Privacy Mask	12 programmable masks
Alarm	Available
RS485 Remote Control	Protocols: PELCO-P/D, INFINOVA; Baud Rate: 9600bps
Lens Mount	C / CS
Auto Iris	DC / VIDEO Drive
Video Output	1.0 Vp-p (75 Ohm), BNC connector
Power Supply	12 VDC / 24 VAC
Power Consumption	12VDC: 3W; 24VAC: 4W
Operating Temperature	14°F ~ 122°F (-10°C ~ 50°C)
Storage Temperature	-4°F ~ 140°F (-20°C ~ 60°C)
Humidity	0~90%RH (non-condensing)
Unit Dimensions (HxWxL)	2.52"x2.88"x5.66" (64mmx73.2mmx143.8mm)
Box Dimensions(LxWxH)	8.07"x4.92"x3.93" (205mmx125mmx100mm)
Unit Weight	0.84 lbs (0.38kg)
Shipping Weight	1.19 lbs (0.54kg)
Compliance	CE, FCC; ISO 9001: 2008