

V5643-A3 Series

Vandal Resistant WDR Color Fixed Minidome Camera

Infinova
The Integrator's Manufacturer



Features

- 1/3" PIXIM DPS (Digital Pixel System)
- Aspherical, auto-iris, vari-focal lens with IR correction
- NTSC/PAL format selectable
- Superior color rendering, anti-blooming
- 120dB super wide dynamic range
- OSD with menu button
- Motion detection
- Privacy Mask
- 4X digital zoom
- Image mirror
- Surface or Bracket Mount, Vandal Resistant, 3-axis adjustment
- IP66 environmental rating

Ordering Information

V5643-A3024SE	Analog minidome camera, Vandal-resistant, 3-axis, w/ Heater&Blower, 1/3 inch Pixim CMOS sensor, WDR, Color only, 520TVL, NTSC/PAL, 12VDC/24VAC, Surface mount, 3.3-12mm vari-focal lens
V5643-A3024PE	Analog minidome camera, Vandal-resistant, 3-axis, w/ Heater&Blower, 1/3 inch Pixim CMOS sensor, WDR, Color only, 520TVL, NTSC/PAL, 12VDC/24VAC, Bracket mount, 3.3-12mm vari-focal lens

ACCESSORIES

Power Supplies

N3922-24A-1	Power Supply, 24VAC, 50VA, Plug-In, 120VAC
N3922-24A-2	Power Supply, 24VAC, 50VA, Plug-In, 230VAC
N3928 Series	Power Supply, 24VAC with 4, 8 or 16 Outputs

Mounts for bracket mount model

V1761MS	Wall Mount, 6 inch
V1762MS	Corner Mount (contain adapter), 6 inch
V1763MS	Pole Mount (contain adapter), 6 inch
V1764A	Pendent Mount, Outdoor, 15 inch long, vertical (cable dragged out from side)
V1764B	Pendent Mount, Outdoor, 15 inch long, vertical (cable dragged out from top)

For detailed information, please refer to V1760 series Mounts.

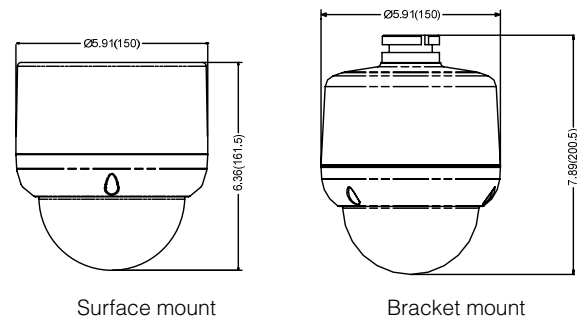


Description

Infinova's V5643-A3 series vandal resistant WDR color fixed minidome cameras employ PIXIM DPS (Digital Pixel System) image sensor, providing maximum 120dB super wide dynamic image impression via multiple sampling the light of each pixel. In addition, compared with CCD camera, the WDR cameras also feature higher S/N Ratio, superior color rendering and more natural image quality.

V5643-A3 series employ vandal resistant dome housing, making them the ideal choice for the hazardous surveillance environments. The cameras provide easy installation, designed for surface or bracket mount with 3-axis adjustment.

Dimensions



(Unit: inch, in the parentheses is mm)

Specifications

Model	V5643-A3
Image Sensor	1/3" PIXIM DPS (Digital Pixel System)
Effective Pixels (H x V)	720 x 540
Wide Dynamic Range	Standard 102 dB, Maximum 120 dB (17 bit)
Sensitivity	0.5 lux @ F1.2 (30 IRE, AGC Maximum) 0.3 lux @ F1.2 (30 IRE, AGC Maximum, 32X)
Resolution	520 TVL
S/N Ratio	> 52 dB (AGC OFF)
OSD	Available
Lens	F1.4, f=3.3-12mm
Camera Angle Adjustment	X (Panning): 0°~340°; Y (Tilting): 0°~80°; Z (Rotating): 0°~340°
Auto Gain Control	OSD menu control, High / Medium / Low / Manual setup
Backlight Compensation	ON/OFF
Auto Electronic Shutter	NTSC: 1/60~1/100,000s, PAL: 1/50~1/100,000s
Digital Slow Shutter	32X, 16X, 8X, 4X, 2X
White Balance	ATW / AWB / MWB
Color Temperature Range	2000K~11000K
Gamma Correction	0.45
Sync. System	Internal / Line Lock
Digital Zoom	4X
Motion Detection	Available
Privacy Mask	12 programmable privacy masks
Video Output	1.0 Vp-p (75 Ohm), BNC connector
Power Supply	12VDC/24VAC
Power Consumption	12VDC: 8.1W (w/ heater); 24VAC: 21W (w/ heater)
Operating Temperature	-40° F ~ 122° F (-40° C ~ 50° C)
Storage Temperature	-4° F ~ 140° F (-20° C ~ 60° C)
Operating Humidity	0~90% RH (non-condensing)
Unit Dimensions (HxØ)	Surface: 6.36"x5.91" (161.5mmx150mm); Bracket: 7.89"x5.91" (200.5mmx150mm)
Box Dimensions (LxWxH)	8.66"x8.66"x11.22"(220mmx220mmx285mm)
Unit Weight	Surface: 3.02 lbs. (1.37 kg); Bracket: 2.82 lbs. (1.28 kg)
Shipping Weight	Surface: 4.34 lbs. (1.97 kg); Bracket: 4.14 lbs. (1.88 kg)
Certifications	CE/EMC: EN 55022, EN 55024, EN 61000-3-2, EN 61000-3-3, (Certificate No.: BCT10LC-2147E); FCC: Part 15 Subpart B (Certificate No.: BCT10LC-2148E); ISO 9001: 2008