

JVC®

1/3" CCD COLOUR VIDEO CAMERA

TK-C9200E(EX) (24VAC/12VDC)

TK-C9201EG(EX) (220-240VAC)

TK-C9300E(EX) (24VAC/12VDC)

TK-C9301EG(EX) (220-240VAC)



Super LoLux 2™

COLOUR IN VIRTUAL ZERO LUX



**When the light fails,
our cameras won't.**

Lens not included



■ High-Resolution of 600 TV Lines

High-performance 14bit processing DSP in its second generation enables industry-leading high quality pictures

■ Super LoLux 2™ Sensitivity with IR Cut Filter*

0.05 lx at colour mode (50% video level, F1.2, AGC HIGH)
0.006 lx at B&W mode (50% video level, F1.2, AGC HIGH)

■ Industry-leading S/N Ratio of 52dB

■ ExDR Plus – Advanced Wide Dynamic Range*

JVC-original technology to reproduce clearer images for both bright and dark areas

■ 3D Noise Reduction

Powerful system to reduce noise in dark environments

■ Up to 128x of Slow Shutter

Increases visibility even in low light situations

■ Area White Balance

New function that can apply Auto White Balance to a specific area

■ Black Level Adjustment

Intelligent adjustment for dark areas to provide images without black out

■ Easy Installation with Well-Conceived Menu

Combination of DIP switch and built-in Menu makes detailed settings simple and easy

■ Variety of Functions for Precise Monitoring

- Automatic Gain Control (AGC)
- 4 Area Patterns for Backlight Compensation (BLC)
- Manual and Auto Tracking White Balance
- 1.4x/2.0x Digital Zoom
- Privacy Mask for protecting against intrusive monitoring
- Display Mode Selection for CRT and LCD
- AUX Terminal*
- CCD White Spot Compensation
- Focus Adjustment Mode for accurate focusing
- 24VAC/12VDC Dual Voltage or 220V–240VAC selectable

■ Eco-Friendly Super Low Power Consumption

Approx. 40% lower than conventional models

* TK-C9300E(EX)/C9301EG(EX) only



Reliable Day & Night Surveillance with High-Resolution Images and Precise Colour Reproduction

Super LoLux 2™ "COLOUR IN VIRTUAL ZERO LUX"

This camera has been designed to assure precise colour reproduction in low light situations. It is possible to identify image colours in much darker places.



Normal camera

JVC Super LoLux™

ExDR Plus (TK-C9300 Series only)

ExDR (Extended Dynamic Range) Plus function is able to clearly display people and characters in the foreground even when they're up against an extremely brightly lit background. And to make the dark parts of the image more clearly visible, it combines Dual Shutter with AGC function to achieve optimal image quality throughout the entire picture.

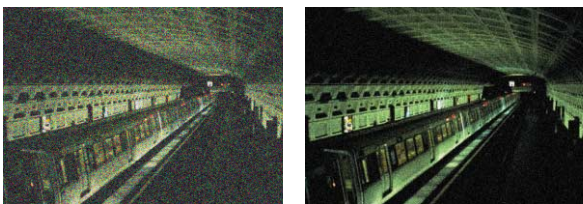


Normal image

ExDR Plus

3D Noise Reduction (3DNR)

3DNR is the powerful method to improve image quality even though it's shot in the dark. Noise data is detected by comparing some continuous frames and reduced by blending it into other frames over time.



Normal

3DNR

Area White Balance

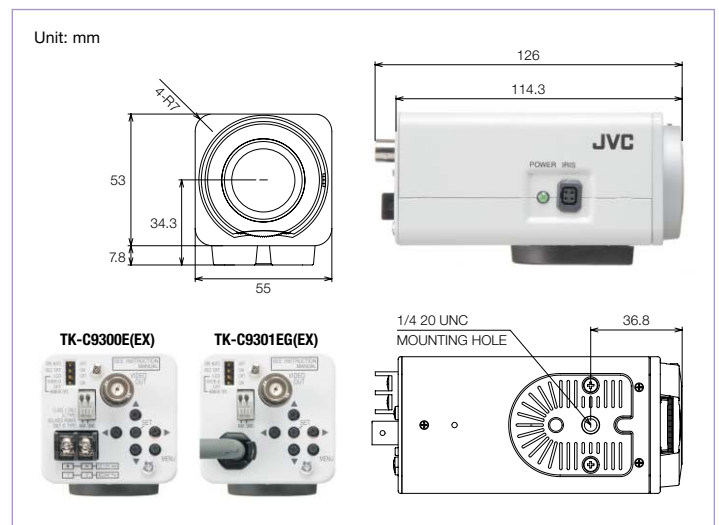
Auto White Balance can be applied to a designated area. With this, colour casting can be prevented by setting the white balance within an area while avoiding strong colour zones.

Specifications

	TK-C9200E(EX)/TK-C9201EG(EX)	TK-C9300E(EX)/TK-C9301EG(EX)
Signal system	PAL	
Image device	1/3 type IT CCD	
Number of effective pixels	440,000 (752H x 582V)	
Sync system	Internal	
Scanning system	2:1 interlace, 625 lines	
Scanning frequency	15.625kHz (H), 50Hz (V)	
Video output	Composite video signal: 1.0V (p-p), 75 ohms (BNC)	
Video S/N ratio	52 dB (AGC off)	
Horizontal resolution	600 TV lines*	
Minimum illumination (typical)	0.05 lx (50%, F1.2, AGC HIGH) 0.025 lx (25%, F1.2, AGC HIGH)	
B&W mode	0.03 lx (50%, F1.2, AGC HIGH) 0.015 lx (25%, F1.2, AGC HIGH)	0.006 lx (50%, F1.2, AGC HIGH) 0.003 lx (25%, F1.2, AGC HIGH)
Iris control	DC iris	
White balance	ATW (wide/narrow) / AWC / Manual (ATW colour temp. range 2300K to 10,000K)	
Day/Night	Easy D/N	True D/N with IR cutoff filter
Wide dynamic range function	-	ExDR Plus (by dual shutter)
3DNR	NORMAL / HIGH	
Display mode (Monitor type)	LCD1/LCD2/CRT	
BLC	off/on (4 patterns)	
AGC	OFF/MID/HIGH	
Sens-up	off / x2 to x128	
Digital zoom	x1, x1.4, x2	
Motion detect	off/on	
Privacy mask	4 areas	
Focus adjustment mode	Yes	
Lens mount	CS	
AUX (Alarm terminal)	-	1
Power supply	TK-C9200E(EX)/TK-C9300E(EX): 24VAC (50Hz/60Hz) / 12VDC TK-C9201EG(EX)/TK-C9301EG(EX): 220-240VAC (50Hz/60Hz)	
Power consumption	TK-C9200E(EX): 190 mA, TK-C9300E(EX): 220 mA TK-C9201EG(EX): 35 mA, TK-C9301EG(EX): 40 mA	
Operating temperature range	-10°C to 50°C (0°C to 40°C recommended)	
Dimensions (WxHxD)	55mm x 61mm x 126mm	
Weight (approx.)	TK-C9200E(EX) / TK-C9300E(EX): 270g TK-C9201EG(EX) / TK-C9301EG(EX): 470g	

* Tamron M13VM246 at wide angle

Dimensions



Note: Screen images are explanatory purpose and not actual images attained using this product. All brand or product names may be trademarks and/or registered trademarks of their respective owners. Copyright © 2011, Victor Company of Japan, Limited. All Rights Reserved.

JVC®