



Indoor Network PTZ HD Dome Camera

VN-H557U

Security at its Highest Level



SuperLoLux HD™

The new VN-H557U is a 1080p Super LoLux HD™ network PTZ dome camera that delivers very wide coverage, full HD imagery with automatic day/night performance. At less than half the price of a standard PTZ camera it is ideal for use in school campuses, small businesses, shopping centers, and airports. Audio and alarm support is built-in and the camera allows multi-angle installation. With an MTBF of 30,000 hours, the VN-H557U is designed to provide many years of exceptional performance.

Key features:

- 1920 x 1080 Full HD (H.264 High Profile, Motion JPEG)
- 10x optical zoom, 10x digital zoom
- 350 deg. Non-endless Pan/Tilt performance
- SLL sensitivity 0.45 lux color
- 3DNR, Privacy mask, Motion detection
- Alarm IN / OUT function
- Audio communication
- SD card recording
- Normal PoE / 24VAC / 12VDC power supply
- Multi angle installation available
- MTBF 30,000 Hours

The VN-H557U camera features 10x optical zoom with 350° pan and 120° tilt operation. And, with JVC's famous Super LoLux HD™ technology, it delivers brilliant high-definition resolution and remarkable light sensitivity and produces color images at just 0.45 lux. The camera features powerful dual stream operation (30ips / 30ips JPEG / H.264 High Profile), along with SD card recording with alarm record function and direct MPEG 4 export. It also has 3D dynamic noise reduction and supports the latest ONVIF protocol for network cameras (Profile S).

Panels

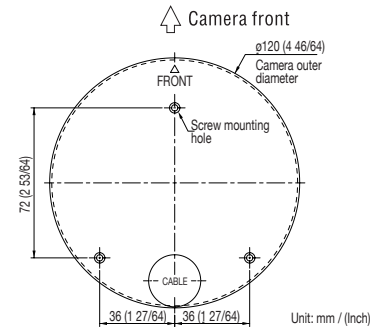


Terminal Panel



SD Card Slot Panel

Direct Mount Diagram



Specifications

Camera	
Image Device	1/2.8" CMOS
Number of effective pixels	2Mega pixels, (1920 H x 1080 V)
Minimum illumination (typical)	0.9 lx (F1.8, 50IRE, 1/30)
< B&W mode >	0.7 lx (F1.8, 50IRE, 1/30)
White balance	ATW/AWC
Wide dynamic range function	Active gamma (Easy wide-D)
Backlight compensation	Yes (4 areas are selectable)
Shutter speed	Select from menu (1/60 s to 1/10,000 s)
Lens	
Zoom ratio	10x optical
Max. aperture ratio	F1.8
Auto focus	Easy AF/One push AF
Mechanism	
Preset position	100 positions
Panning	-75 to +175°
Panning speed	0.1°/s to 300°/s
Tilting	-5° to 185°
Tilting speed	0.1°/s to 200°/s
General	
Alarm I/O	Input x 2, Output x 2
Power supply	AC24V/DC12V/ PoE
Power consumption	1.2 A (24 VAC) / 12.95 W (PoE)
Operating temperature range	14 °F to 122 °F (-10 °C to 50 °C)
< recommended >	< 32 °F to 104 °F (0 °C to 40 °C) >
Dimensions	ø 4-3/4 inches x 6-3/4 inches (ø 120 mm (D) x 172 mm (H))
Weight (approx.)	2.1 lbs (.95 kg)

Network		
Network interfaces	RJ-45 (Cat 5): 10 BASE-T/100 BASE-TX	
Protocol	IPv4, HTTP, TCP, RTSP/RTCP/RTP, ICMP, UDP, IGMP, DNS, DHCP, ARP, FTP Client, SMTP, NTP, RTSP/RTCP/RTP	
Picture	Resolution (pixel)	1920x1080, 1280x960, 1280x720, 720x480, 640x480, 640x360, 352x240, 320x240
	Compression	Motion JPEG, H.264 (High/Baseline)
Frame rate	H.264:	1920x1080, 30fps, 30, 25, 15, 10, 7.5, 5, 3, 2, 1 fps
	JPEG:	30, 15, 10, 7.5, 5, 3, 2, 1 fps
Internal storage capacity	SDHC Card Slot	
Access protection	3 levels password, IP address filtering	
Motion detection	Yes	
Web server	Yes	
Data transmission	Unicast / Multicast	
System requirement (recommended)		
OS	OS: Microsoft Windows XP professional*, Windows Server 2003*, Windows Server 2008 R1*/R2*, Windows Vista (Business*, Enterprise*, Ultimate*), Windows 7 (Professional*, Enterprise*, Ultimate*)	
CPU	CPU: Intel Core2 Duo 2.4GHz or higher	
Memory	More than 1 GB	
HDD space	More than 512 MB	
Display / Video card	1,024 x 768 pixels, true color (24-bit or 32-bit)	

*Specifications are tentative and subject to change without notice. All product names stated in this document are trademarks or registered trademarks of their respective companies. Marks such as TM, ®, and © are omitted in this document.

DISTRIBUTED BY

pro.jvc.com

JVC