

Mobile HDR Forward Facing Camera

3MP camera with High Dynamic Range (HDR) for mobile applications



ONVIF | S

The March Networks® **Mobile HDR Forward Facing Camera** delivers high-quality video in the most challenging lighting conditions, including near darkness and bright sunlight, for rugged bus and rail deployments. The camera's powerful combination of HDR, plus 3 megapixel resolution (3MP), renders it the perfect solution for transit agencies requiring a ruggedized forward facing camera that captures exceptionally clear images and delivers flexible mounting options.



HD image captured with the Mobile HDR Forward Facing Camera

Key Benefits

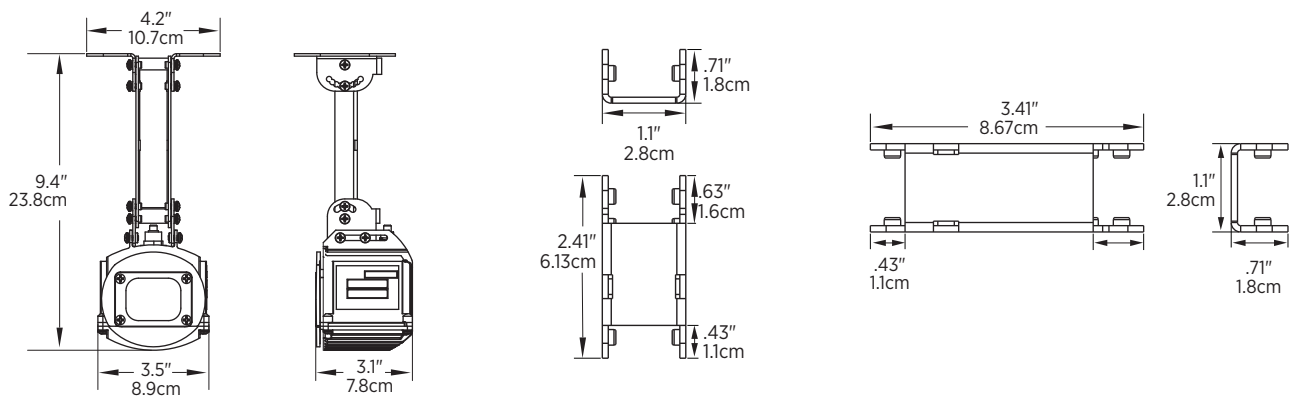
- ▼ **Transit tough.** The camera complies with SAE J1455 and EN50155 ratings to handle shock and vibration in rugged vehicle applications. It is also vandal-resistant (IK10) and protected from dust and humidity (IP67).
- ▼ **Anti-glare cone.** Eliminates light reflections coming from inside the vehicle.
- ▼ **High Dynamic Range (HDR).** The camera blends the best parts of multiple exposures into a single image, which is necessary for vehicles entering or exiting tunnels, or driving towards direct sunlight.
- ▼ **Traffic light/rail signal color mode.** The camera provides color images in low light conditions to capture traffic light or rail signal information.
- ▼ **Wide temperature ranges.** To ensure the camera is reliable in all-seasons, it can withstand temperatures as low as -13°F (-25°C), and as high as to 131°F (55°C).
- ▼ **QR code.** Use the March Networks GURU smartphone app to scan the camera's QR code for instant product information, like serial number, warranty information, etc.

Get glare-free, high-quality video through the vehicle's windshield, in both direct sunlight and near-dark conditions.

Mobile HDR Forward Facing Camera

MODELS	
32049	4mm lens
32111	6mm lens
CAMERA	
Image Sensor	1/2.8" CMOS 3MP
Dynamic Range	Multi-exposure High Dynamic Range
Lens	4mm or 6mm, F1.6 fixed lens
Angle of View	4mm: 76° horizontal; 6mm: 51° horizontal
Day/Night	Street light color mode
Minimum Illumination	Color: 0.12 Lux @ F1.6
Shutter Time	Up to 30ms
VIDEO	
Video Compression	H.264 (MPEG-4 Part 10/AVC)
Resolution	3MP 2048 x 1536 to 352 x 288
Optional Resolution	
Primary Stream	2048 x 1536, 1920 x 1080, 1280 x 720, 720 x 576, 352 x 288
Secondary Stream	720 x 576, 352 x 288, D1
Frame Rate	Up to 25 fps (50/60 Hz) in all resolutions
Video Streaming	Dual-stream H.264 (full resolution on stream 1; maximum D1 on stream 2) Controllable frame rate and bandwidth CBR/VBR Up to two simultaneous streams with any combination of resolution and frame rate
Image Settings	Brightness, sharpness, contrast, saturation, hue, exposure control, white balance control, digital zoom, dynamic range control, 3D noise reduction, mirroring of images

GENERAL	
Construction Camera	Polycarbonate transparent cover Black powder-coated aluminum housing IP67
Mounting Brackets	Black powder-coated steel
Power	Power over Ethernet IEEE 802.3af Class 3
Power Consumption	3.5 W (heaters off); 12 W (heaters on)
Connectors	T/100BASE-TX PoE 4mm lens camera (32049): RJ45 6mm lens camera (32111): M12 4-pin
Operating Conditions	-13° to 131°F / -25° to 55°C Humidity 8 – 90% RH, non-condensing
Regulatory Approvals	EN55022, FCC Part 15 Subpart B; ICES-003; EN50130-4; EN 50121-3-2; SAE J1113; RoHS Directive 2011/65/EU, IK10
Shock/Vibration	SAE J1455, EN50155 (IEC 61373)
Camera Weight (with Mount and Long Extender Bracket)	1.86 lbs (0.84 Kg)
Included Accessories	Anti-glare cone, mount, long extender bracket, Allen key, mounting screws
Optional Accessories	Medium extender brackets (3.4 in / 86.62 mm) and short extender brackets (2.4 in / 61.25 mm) – each in packages of 10



Camera shown with 9.4" extender bracket (ships with camera)

2.4" extender bracket (reduces over length from 9.4in/23.8cm to 6.4in/16.2cm)

3.4" extender bracket (reduces over length from 9.4in/23.8cm to 7.4in/18.7cm)

North America 1 800 563 5564
 Latin America +5255 5259 9511
 Europe +39 0362 17935
 Asia +65 6818 0963
 Australia and New Zealand +61 1300 089 419
 Middle East and Africa +971 4 399 5525

© 2018 March Networks. All rights reserved. Information in this document is subject to change without notice. MARCH NETWORKS, March Networks Command, March Networks Searchlight, March Networks RideSafe, and the MARCH NETWORKS logo are trademarks of March Networks Corporation. All other trademarks are the property of their respective owners. 060-3242-00-C marchnetworks.com

