

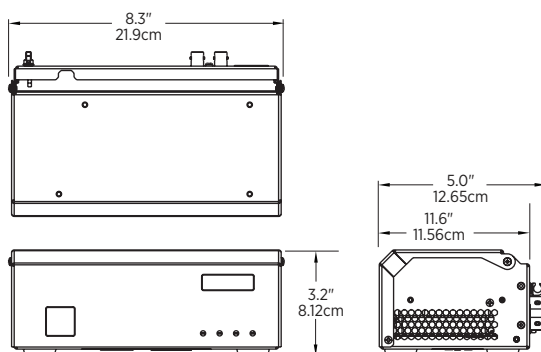
6704 Series Hybrid NVR

4-Channel Recording Platform



The **4-channel Hybrid NVR** from March Networks® delivers video that's always there when you need it, and the advanced tools that allow you to quickly find the evidence you need. Get your job done faster — from installation to investigation — with this appliance-based hybrid NVR as the backbone.

Designed with economy of space in mind, this robust, reliable, and feature-rich recorder is ideal for installation in standalone ATMs or in any space-constrained location. The recorder's hybrid flexibility lets you to continue with your existing analog cameras, or move to HD IP cameras when the time is right.



Key Benefits

- Meets privacy guidelines.** Privacy protection features, such as privacy masking, operator access restrictions, and the ability to delete archived video clips, complies with video surveillance guidelines across Europe and the Middle East.
- Embedded, Linux-based, and purpose-built.** Spend more time performing investigations and less time dealing with maintenance issues that can plague a PC-based recorder.
- All camera licenses included.** No need to pay for separate channel licenses; benefit from a full-featured recording platform right out of the box.
- Configurable recording policies.** Record video based on user-definable variables like schedule, motion, analytics, etc.
- Real-time health monitoring.** Be alerted to camera, recorder and network issues within seconds.
- Network policies for bandwidth protection.** Maximize overall system performance with features like bandwidth throttling, maximum retention settings, multi-sector archiving, and selective video recording.
- Front panel QR code.** Use March Networks' free GURU Smartphone App to scan the recorder's QR code to check warranty status, get in-field diagnostics support, do on-site wireless provisioning, or even initiate an express RMA.
- Powerful video management software.** With March Networks Command™ Recording Software and Command Enterprise Software, you'll be equipped with the features and tools you need to easily manage your video surveillance system, including innovative search tools, mass management, Windows® Active Directory integration, and health monitoring.

Install the recorder inside an ATM, seamlessly integrate ATM transaction data with the video, and comply with your region's privacy guidelines.

6704 Series 4-Channel Hybrid NVR

MODELS

6704 S series	4 channels, 4 analog inputs, 25fps (PAL) / 30fps (NTSC) throughput, desk mount
---------------	--

VIDEO

Analog Capacity	25fps (PAL) / 30fps (NTSC) concurrent at full 4CIF/D1 across 4 channels; 100fps (PAL) / 120fps (NTSC)
Video Compression	H.264, M-JPEG, CIF/2CIF/4CIF resolution
Analog Camera Inputs	4 maximum
IP Camera Inputs	4 maximum
IP Camera Performance	With all analog cameras enabled, IP cameras are not available With all analog cameras disabled, IP camera capacity = 12 Mbps (3 Mbps / camera)

AUDIO

Analog Audio Inputs	2, unbalanced, 10kΩ, 1Vp-p typical
Analog Audio Outputs	1, unbalanced, 600Ω, 1Vp-p
Analog Audio Codec	G.711, 8 bit/8kHz, 64 kBit/s, unidirectional

NETWORK

Local Network	10/100/1000Base-T Ethernet (RJ-45)
Camera Network	10/100/1000Base-T Ethernet (RJ-45)
Security	Industry standard TLS 1.2 with strong AES encryption, HTTPS encryption, strong hashing algorithms SHA256, continuous security vulnerability assessment

SYSTEMS / NETWORK MANAGEMENT

Bandwidth Throttle	Yes (can include exceptions on a per-IP address basis)
Bandwidth Scheduling	Yes
Adaptive Bandwidth	Yes
Remote Connection	TCP/IP (IPv4)
Concurrent Remote Connections	No set limit
Internal Battery	Enables systematic shutdown; no external UPS communication required

ANALYTICS

Included	Motion detection
Optional	Camera obstruction, field-of-view monitoring, trip wire, loitering, presence detection

STORAGE

Internal Hard Drives	up to two 2.5" HDDs
Individual Drive Capacity	500 GB or 1 TB
Total Storage Capacity	Up to 2 TB
Drive Type	Serial ATA (SATA)

ALARM INPUTS/OUTPUTS

Alarm Inputs	2 current loop inputs, supporting open and closed detection
Relay Outputs	1 relay switch output (30VDC, 1A); programmable event driven

PHYSICAL

Dimensions (HxWxD)	8.1 x 21.2 x 12.6 cm / 3.2 x 8.3 x 5.0 in
Mounting	Wall mount and desktop
Security	Tamperproof enclosure
Weight	1.5 kg / 3.2 lbs Add 0.11 kg (0.25 lb) per HDD

ENVIRONMENTAL

Operating Temperature	5°C to 40°C (41°F to 105°F)
Heat Dissipation	Maximum 255 BTU per hour (system plus 2 hard drives)
Humidity	5% to 95% RH (non-condensing)
Storage Conditions	-40°C to 70°C (-40°F to 158°F)

ELECTRICAL

Internal Power Supply	110/220 VAC (auto-sensing), 1.7A, 50-60Hz
Power Consumption	15W typical, 15W max

REGULATORY

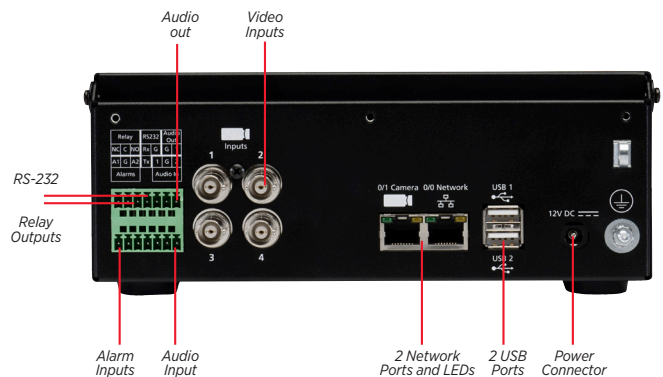
Safety	IEC60950-1 (ed.2), UL 60950-1 (ed.2), CSA C22.2 No. 60950-1-07 (ed.2)
EMC	FCC 47 CFR Part 15, Subpart 15, ICES-003, EN55022, CISPR 22, AS/NZS CISPR 22, EN61000-3-2, EN 61000-3-3, EN50130-4, EN55024
Compliance Marking	CE-mark, cULus, C-tick, WEEE

ORDERING INFORMATION

RECORDERS	
30259	6704 S NVR, 0 x 0 TB
30259-101	6704 S NVR, 1 x 500 GB
30259-102	6704 S NVR, 2 x 500 GB
30259-103	6704 S NVR, 1 x 1 TB
30259-104	6704 S NVR, 2 x 1 TB
ACCESSORIES	
28933	Wall mount kit
29030	Tamperproof enclosure

2-year Advance Replacement plan on all NVRs:

- Options for Repair & Return or Advance Replacement
- March Networks incurs all shipping costs—both ways—for AR's
- All NVR components are covered, including HDDs



North America 1 800 563 5564
 Latin America +5255 5259 9511
 Europe +39 0362 17935
 Asia +65 6818 0963
 Australia and New Zealand +61 1300 089 419
 Middle East and Africa +971 4 399 5525

© 2018 March Networks. All rights reserved. Information in this document is subject to change without notice. MARCH NETWORKS, March Networks Command, March Networks Searchlight, March Networks RideSafe, and the MARCH NETWORKS logo are trademarks of March Networks Corporation. All other trademarks are the property of their respective owners. 060-3209-00-D
marchnetworks.com

