



NDR890 megapixel network IR vandal-proof camera

color network dome camera with
MPEG-4 x 2 & Motion JPEG triple streaming, 25M IR
ICR day/night switching



The NDR890 is a high-performance megapixel network camera. The NDR890's extremely high resolution makes it perfect for identification applications.

- **Exceptional Images**

NDR890 employs a 5MP Lumii sensor that quadruples sensitivity without blurring. The camera utilizes Lumii technology to monitor the surveillance area in great detail in even the most difficult lighting conditions, delivering crisp and detailed images that are perfect for object- and person-recognition. The camera's high resolution also enables it to provide larger overviews, increasing the size of the surveillance area without affecting image resolution.

- **Smartfocus**

A built-in nine-point focus indicator enables the camera to focus precisely and automatically on objects, relieving users of the need to adjust the focus manually.

- **Powerful IR Illuminator**

The powerful IR illuminator lights objects evenly, reducing image noise and storage requirements. The IR illuminator activates automatically when the lighting dims to under 10 lux. In night mode, the illuminator enables the camera to capture images at even 0 lux. To help minimize energy usage, the camera also comes equipped with a high-power LED.

- **ICR Day/Night Switching**

The NDR890 incorporates a mechanical ICR filter to capture perfect pictures at any light level. The camera switches between its day and night modes automatically depending on the lighting conditions, enabling it to capture color video in even 0.3-lux conditions and black/white video in as little as 0 lux, ensuring crisp, clear images at all times. The camera's megapixel resolution and mechanical ICR filter deliver sharp, detailed captures and images of distant objects in even total darkness.

- **Vandal-Proof Housing Certified to IP66 and IP67**

Certified to IP66 and IP67, the die-cast aluminum alloy housing protects the camera against extreme bad weather and vandalism, making it perfect for outdoor surveillance.

- **SD Memory Card Storage**

The NDR890 is equipped with an SD card that enables round-the-clock monitoring, ensuring that the camera can store captured images even in the event that its network connection goes down. The NDR890 delivers all-day surveillance and round-the-clock security.

2009.10.22 version.

MESSOA reserves the right to update this datasheet at any time without notice.

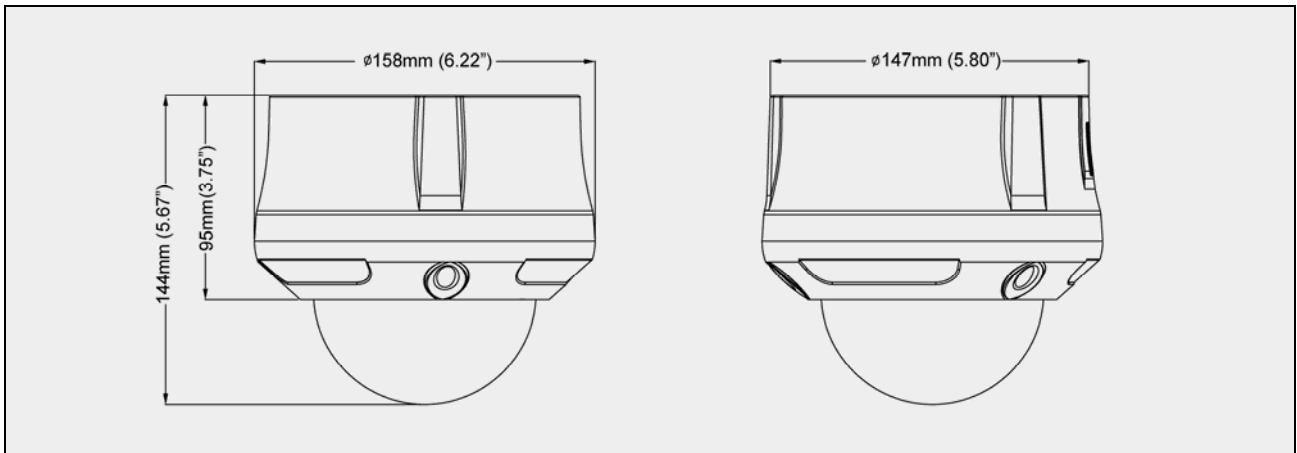
MESSOA USA e-mail:info.us@messoa.com/MESSOA Taiwan e-mail:info@messoa.com



Specification

Image System				
Image sensor	1/2.5" 5 MP Lumii image sensor optimized for low-light performance			
Effective pixels	2592 (H) X 1944 (V)			
Image Compression Method	Triple Streaming : MPEG4 x2/ Motion JPEG x1			
Resolution/ Frame rate	MPEG4: HD 720P 1280 X 720 @30fps, 640 X480@30fps, 352 X192@30fps MJPEG: 640 X 480@30fps, 640 X 352@30fps			
Electric				
Sync system	Internal			
Built-in lens	f=2.7 ~ 9 mm, F1.2, Varifocal Megapixel lens IR-corrected, Angle of view: 30° ~ 101° (Horizontal)			
Shutter time	AES 1/10000 to 1/3.75 sec			
Audio	Two-way Mono Audio, Full-duplex, G.711 PCM 8kHz 64kbit/s			
Alarm	Yes; 1x Alarm-in, 1x Alarm-out			
Motion detection	Yes; 4 x 3 MD window & 5 level sensitivity			
SD Card	Support micro SDHC card (up to 32 Gb)			
Day & Night Mode	Mechanical ICR Filter			
Minimum illumination	IR LED OFF: 0.3lux (F1.2, 50 IRE) IR LED ON: 0lux			
IR LED	IR LED 24pcs(850nm)			
IR distance	25 meters (82 ft.)			
IR turn on status	Under 10 lux by auto control			
LED life	More than 10,000 hours (50°C)			
TV output	NTSC, 720 X 480 @30fps	PAL, 720 X 576 @25fps	NTSC, 720 X 480 @30fps	PAL, 720 X 576 @25fps
Feature				
BLC	ON/Off			
White Balance	Auto/Daylight/Fluorescent/Incandescent			
Sharpness	Low/ Middle/High			
Saturation	Low/ Middle/High			
Brightness	Low/ Middle/High			
Contrast	Low/ Middle/High			
Other	Mirror, Flip, system log, snapshot			
Power supply				
Power requirement	DC12V/ AC24V±10%/ PoE(IEEE 802.3af) When using the heater:DC24V/ AC24V±10%			
Power consumption	< 8W (When using the heater: < 18W)			
Power connector	Screwless Terminal block			
Environment				
Operating temperature	-10°C ~ 50°C (14°F ~ 122 °F)		-40°C ~ 50°C (-40°F ~ 122 °F)	
Operating humidity	10~ 90% RH			
Storage temperature	-20°C ~ 60°C (-4°F ~ 140 °F)			
Network				
Ethernet	10Base-T/100Base-TX			
Internet protocol	TCP/IP, UDP, HTTP, SMTP, DNS, DHCP, NTP, FTP, RTP, RTSP, ICMP, uPNP			
Connectors	RJ-45 Ethernet 10Base-T/100Base-TX			
Browser	IE browser 6.0 or above			
I/O connector				
Video port	BNC X1, 1.0Vp-p, 75Ω			
Alarm port	Terminal block			
Audio port	3.5mm Phone Jack			
Mechanism				
Dimensions(øxH)	ø158mmx144mm (ø6.22" x 5.7")			
Weight	1.28 kg (2.82 lb.)			
Protection Class	IP66/IP67, vandal-proof: 1000 kg impact resistance			
Option				
	Without Heater		With Heater	
Order Information				
	NDR890-HN5	NDR890-HP5	NDR890H-HN5	NDR890H-HP5

Dimensions



Optional Accessories

