

# 12 Megapixel H.265 Fisheye Network Camera

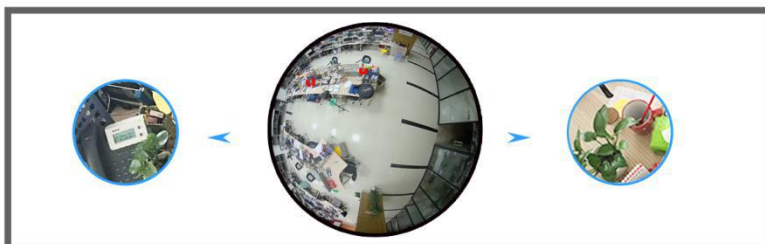
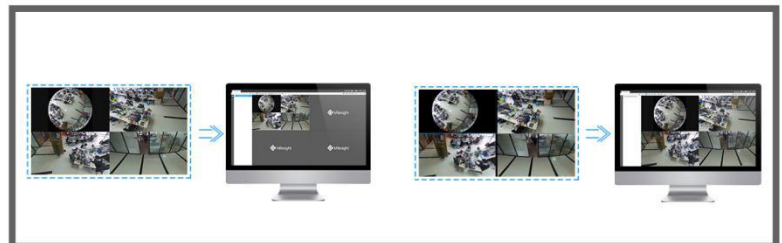

**IK09**
**IP67**
**MS-C9674-PB**
**DATASHEET**

## KEY FEATURES

- ▶ **Smart Stream** (Bandwidth, storage and bit rate are saved with Smart Stream on, e.g. H.265<sup>+</sup> saves 70~80% bandwidth that of H.264.)
- ▶ **User-friendly Interface Design** (Three different installation modes to choose including "Ceiling", "Wall" and "Flat".)
- ▶ **Powerful Dewarp Capability** (Seven display modes including 1O, 1P, 2P, 1O3R, 4R, 1P3R and 1O1P3R.)
- ▶ **Multi-interface** (Easy installation with built-in Microphone, Audio Out, Alarm I/O and DC 12V.)
- ▶ **Super WDR** (Up to 120dB. Record greater scene details with true color reproduction.)
- ▶ **128G** (Supporting ultra-large external microSD/SDHC/SDXC card storage up to 128G.)

### Two Kinds of Compatible Modes

Milesight Fisheye Camera offers Bundle-Stream Mode and Multi-Channel Mode to meet different needs. The Bundle-Stream Mode combines all the channels into one and sends to NVR or VMS, which is easy for compatibility. The Multi-Channel Mode sends all the original channels to NVR or VMS, so the channels can be modified separately.



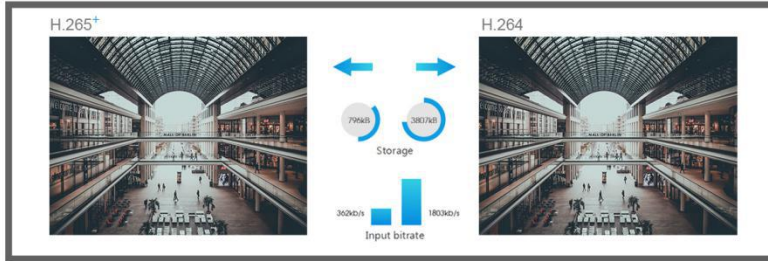
### 12MP Ultra High Resolution

Fisheye Network Camera features with 12MP ultra high resolution better restoring the images to guarantee superb image quality. The camera is a special model which produces spherical image and will have the dewarp process to adjust the original images to fit human eyes. The process may cause the pixel losing. That is why the high resolution is vital for a fisheye camera.

### 360° Panoramic Experience

The camera could easily reach the effect of over 4 regular network cameras with higher efficiency. Bringing 360° surround view with zero blind spots, it is able to provide comprehensive coverage of open areas such as airports, shopping malls, parking lots, retail stores, offices and more.



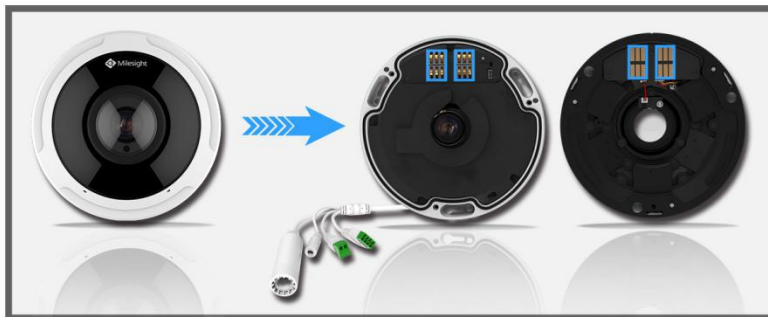


## Stunning H.265+ Codec

Milesight H.265+ Series network cameras with the latest H.265+ compression codec reduce 70%~80% of bandwidth occupancy compared with H.264 while maintaining high visual quality, which boost the overall capacity of cameras.

## Smart IR II Technology

The Smart IR II Technology has been upgraded to provide videos with a viewing range of up to 15m. Three LEDs work as High Beams and three LEDs work as Low Beams for better image clarity and quality. The advanced IR technology allows even IR light distribution in different situation and the brightness of High Beams and Low Beams can be adjusted manually. Moreover, with the IR anti-reflection panel, the infrared light transmittance is highly increased.



## Exquisite Design

The body design of the camera insists on the idea of neatness and exquisiteness. As a whole, the screw-free design and Multiple-interface Cable keep the body neat. The Power Supply Board replaced the traditional way of power supply with cable which freeing interior space, making the camera an art of surveillance inside and out.

## Robust & Reliable Performance

Featuring IP67 Weather-proof and IK09 Vandal-proof, the camera shields its sensitive electronics from dust and water, which ensures stable operation in all weather conditions. Also protect itself from the unexpected violence, guaranteeing the smooth running to avoid potential damages.



# H.265 Fisheye Network Camera

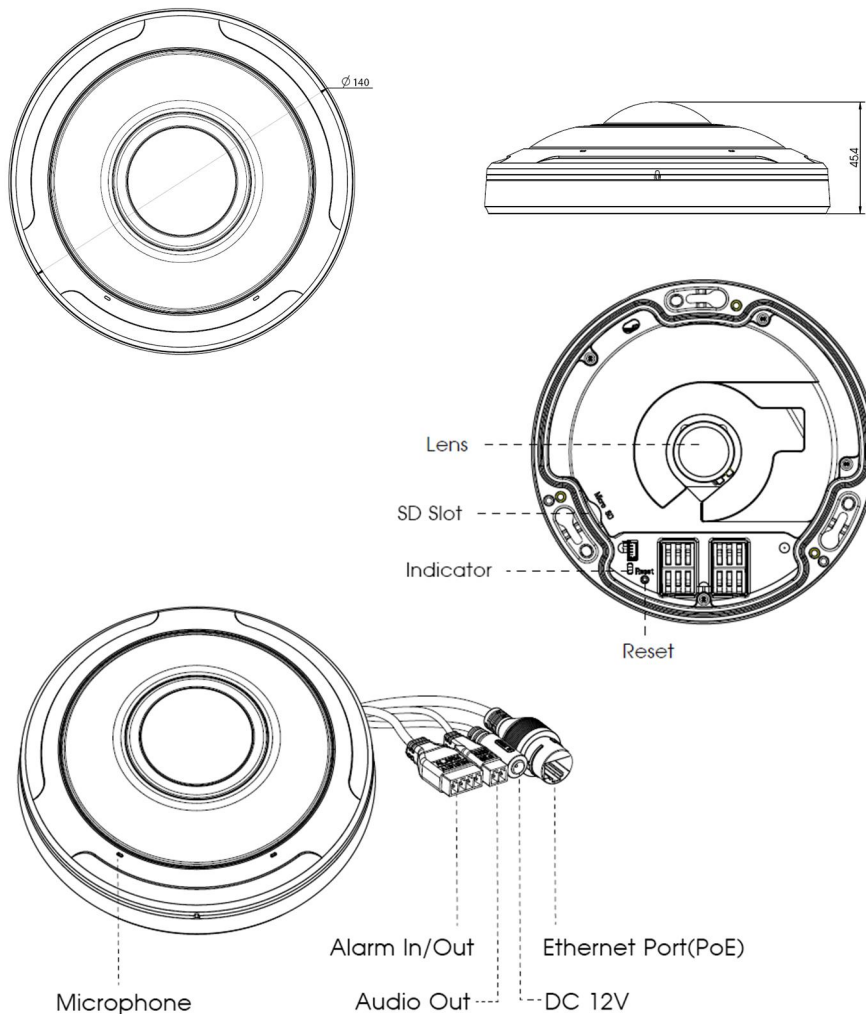


	Model	MS-C9674-PB (12MP)
Camera	Image Sensor	1/1.7" Progressive Scan CMOS
	Min. Illumination	Color: 0.01Lux@F1.2 B/W: 0Lux with IR on
	WDR	Super WDR up to 120dB
	Lens	1.98mm@F2.8
	Mount	M12
	Field of View	Ceiling Mount: 360°; Wall Mount: 180°; Table Mount: 360°
	Shutter Time	1/100000s~1/3s
	IR Distance	Up to 15m
	Day&Night	ICR Filter Auto Switch
Video	Max. Image Resolution	4000x3000
	Primary Stream	Fisheye View: 25fps@(4000x3000), 30fps@(3000x3000, 2560x2560, 1920x1920, 1280x1280)
	Secondary Stream	Fisheye View: 25fps/30fps@(1280x960, 1024x1024, 720x720, 320x320)
	Video Compression	H.265+/H.265(HEVC)/H.264+/H.264
	Video Bit Rate	16Kbps~16Mbps(CBR/VBR Adjustable)
	Image Setting	Brightness/Contrast/Saturation/Sharpness
Display	Mount Mode	Ceiling Mount / Wall Mount / Table Mount
	Display Mode	Fisheye View, 360 Panorama View, 180 Panorama View, 4PTZ, Fisheye + 3PTZ, Panorama View+3PTZ, Fisheye + Panorama View+ 3PTZ
Network	Ethernet	1*RJ45 10M/100M/1000M Ethernet Port
	Network Storage	NAS(Support NFS, SMB/CIFS)
	Protocol	IPv4/IPv6, TCP, UDP, RTP, RTSP, RTCP, HTTP, HTTPS, DNS, DDNS, DHCP, FTP, NTP, SMTP, SNMP, UPnP, SIP, PPPoE, VLAN, 802.1x
Audio	Audio Compression	G.711/AAC
	Audio I/O	Built-in Microphone and 1 Audio Output interface
System	Alarm I/O	1/1
	Storage	Support microSD/SDHC/SDXC Card Local Storage, up to 128G
	Advanced Function	Motion Detection, Privacy Masking, Backlight Compensation, HLC, 3D-DNR, ROI, Anti-fog
	SIP/VoIP Support	Yes, Voice & Video-over-IP
	Event Trigger	Motion Detection, Network Disconnection, Audio Alarm, External Input, etc.
	Event Action	FTP Upload/ SMTP Upload/ SD Card Record/ External Output/ SIP Phone
	System Compatibility	ONVIF Profile S
General	Working Temperature	-30℃~60℃
	Working Humidity	0~90%(Non-condensing)
	Power Supply	PoE/ DC 12V±10%
	Power Consumption	4.8W MAX 8W MAX (With IR on)
	Weather Proof	Up to IP67-rated for Weather-resistant Performance
	Housing	Vandal-proof IK09-rated Metal Housing
	Weight	1100g
	Dimensions	Φ140mmX45.4mm
Warranty	3/5 Years	

# H.265 Fisheye Network Camera



## Structure Diagrams



Units: mm

## Accessories Support

A72 Wall mount

Weight: 350g  
Dimensions: 106\*140\*214mm



A75 Junction Box

Weight: 200g  
Dimensions: 155.5\*167\*33.5mm

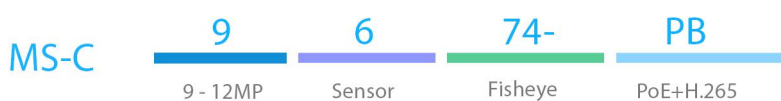


A76 Pendant Mount

Weight: 620g  
Dimensions: 136\*L (L is customizable, 300mm by default)



## Naming Convention



Milesight Technology Co.,Ltd. | [www.milesight.com](http://www.milesight.com)

Contact Us: [sales@milesight.com](mailto:sales@milesight.com) | [support@milesight.com](mailto:support@milesight.com)



Add: 7509 N.W. 36th Street, Miami,  
Florida 33166, USA  
Tel: +1-800-561-0485

Add: 9F/901, Star Valley B/D Digital-ro  
9gil 99, Geumcheon-gu, Seoul, Korea  
Tel: +82-2-839-3335

Add: No.23 Wanghai Road,  
2nd Software Park, Xiamen, China  
Tel: +86-592-5922772