

Evolution 05

360° Recessed Camera

The next step in 360° total situational awareness

5 MP sensor and no moving parts

- Constant 360° surveillance with no blind spots
- No moving parts, no maintenance and silent operation
- Up to 30 fps video stream at 1 MP and ¼ MP
- 0.2 lux minimum illumination and electronic WDR
- PoE or 12 VDC powered
- 3-years warranty

Advanced features

- Local SD card slot for event recording
- Configurable privacy regions
- Polygonal video motion detection regions
- Local alarm digital input and output
- Audio microphone input

A truly discreet installation

- Simple and fast installation from below the ceiling line
- Ultra low profile, blends into the installation environment
- Suitable for installation in air handling / plenum spaces
- Spray-paint to match your environment
- 152 mm (6 in.) drilling hole
- Fits up to 25 mm (1 in.) panel thickness



EVO-05-NSD - Black
EVO-05-NRD - White

Extensive VMS / NVR platform integration with Oncam SDK

- Market leading Oncam Grandeye 3D dewarping software
- Full live and retrospective dewarping available
- Camera features are accessible through VMS platforms
- Simultaneous multiple video streams
- 10x digital zoom capability through client-side dewarping
- H.264 / MJPEG streaming with multiple quality levels
- Optimizes bandwidth and storage utilization
- Intuitive web-based interface for viewing and configuration
- Supported by major VMS / NVR systems
- ONVIF profile S conformant

Evolution 05

360° Recessed Camera

The next step in 360° total situational awareness



Model	EVO-05-NRD (White)	EVO-05-NSD (Black)
General		
Lens Field of View	180° Horizontal, 168° Vertical	
Image Sensor	2592 H x 1944 V, 5 MP, 1/2.5-inch Sony CMOS Sensor	
Lens	185° / F2.0	
Minimum Illumination	0.2 lux = 50 IRE F/2.0 (6500 K)	
Frame Rate	30 fps for 1 MP and ¼ MP resolution 15 fps for 2 MP resolution 10 fps for 4 MP full resolution	
Video Motion Detection	8 configurable regions	
External Input	1x contact input	
External Output	1x contact output	
Security	Configurable password protection	
Advanced Event Management	Triggered by motion, external input or HTTP event, result configurable, external output, FTP/SMTP upload and local recording	
Networking	TCP/IP, HTTP, DHCP, DNS, NTP, FTP, SMTP and RTSP	
Privacy Regions	10 configurable privacy regions	
SD Card	Built-in SD card slot. Supports cards up to 128 GB capacity. Speed class 10 or higher required	
Audio Connections	Audio In through 3.5 mm jack, RTSP using G711 codec or ONVIF S	
Analog Video Out	Test port for production, not available in normal operation	
White Balance Range	Auto White Balance (Range = approximately 2500 K ~ 8000 K)	
Video		
Video Stream 1 Codec	H.264 High, Level 5 / MJPEG (streams configurable)	
Video Stream 1 Compression Level	Multi-levels of compression and frame rate adjustment	
Video Stream 1 Pixel Resolution	Fisheyes at: 4 MP (2144 x 1944), 2 MP (1488 x 1360), 1 MP (1056 x 960), ¼ MP (528 x 480)	
Video Stream 2 Codec	H.264 High, Level 5 / MJPEG (streams configurable)	
Video Stream 2 Compression Level	Multi-levels of compression and frame rate adjustment	
Video Stream 2 Pixel Resolution	Fisheyes at: 4 MP (2144 x 1944), 2 MP (1488 x 1360), 1 MP (1056 x 960), ¼ MP (528 x 480)	
Video Stream 3 Codec	MJPEG	
Video Stream 3 Compression Level	Multi-levels of compression and frame rate adjustment	
Video Stream 3 Pixel Resolution	Fisheye at: ¼ MP (528 x 480)	
Maximum Frame Rate	30 fps	
Image Control	Settings: brightness / contrast / saturation / exposure compensation, compression quality and wall / ceiling / table mount	
Image Enhancement	Electronic WDR 60dB	
PTZ Functionality	10x zoom with Oncam 3D client-side dewarping software	
VMS / NVR Support	Contact Oncam Sales for the supported VMS / NVR list	
Web Browser Compatibility	Internet Explorer 9, Edge 25, Firefox 23 and Chrome 29 or above. Plug-in required for full functionality	
Unicast	Up to 20 simultaneous users depending on the resolution settings	
Multicast	Supported for H.264 main camera stream	
Bit Rate Control	Options include Variable Bit Rate Controls, Constant Bit Rate Control and Constant Quality Control	
Electrical		
Ports	RJ45 for 100Base-TX 2.1mm DC Input jack 6-pin 1.5mm Phoenix for external I/O BNC for test video output	
Network Cable Type	CAT5 or better for 100Base-TX	
Power Input	12 VDC, 1.0 A (min) LPS or NEC Class 2 power supply or Power over Ethernet (PoE), IEEE standard 802.3af	
Power Consumption (maximum)	4.05 W (PoE 48 VDC) / 3.19 W (DC 12 VDC)	

Evolution 05

360° Recessed Camera

The next step in 360° total situational awareness



Mechanical

Camera Mount	Indoor recessed mount
Weight	0.74 kg (1.63 lbs)
Dimensions (Diameter x Depth)	175 x 66 mm (6.9 x 2.7 in.)
Housing Material	Aluminium with polymer trim cover

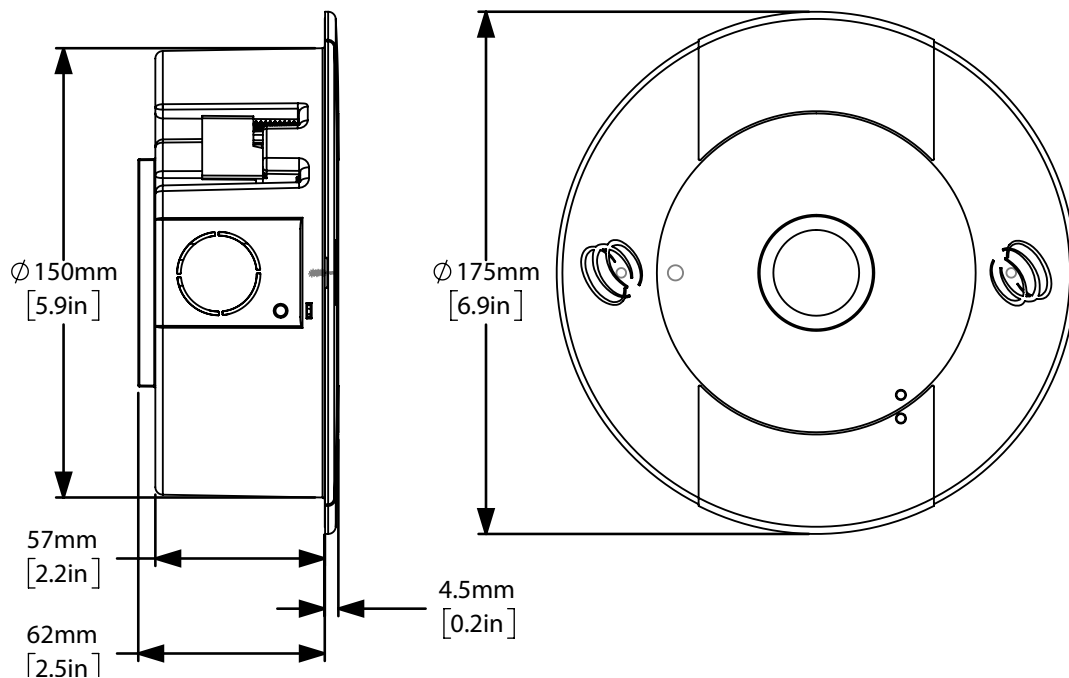
Environmental

Operating Temperature Range	0 to +40° C (-32 to +104° F)
Operating Humidity	Up to 98% non-condensing
Ingress Protection	IP30D

Certifications

Approvals	IEEE802.3af, CE, AS/NZS CISPR 22:2009+A1:2010, CISPR 24:2010 (Class A), FCC, ICES-003, KCC, CU, RCM, SASO UL 60950-1(ed.2) & CAN/CSA C22.2 No. 60950-1-07, UL2043, RoHS, REACH
-----------	---

Dimensions



©Copyright 2016, 2017 Oncam Global Group AG. All rights reserved.

Oncam Grandeye is the trade name of Oncam Global Group AG. Specifications and configurations subject to change without notice.

EVO-05-L#D-04, 2017-05