

Halocam IPW

Surface-mounting 360° IP Camera



ONCAM
GRANDEYE

A 360° IP camera with a 5-megapixel sensor and no moving parts

- Constant 360° surveillance; no blind spots
- Silent operation as there are no mechanical parts
- No moving parts means no regular maintenance due to wear and tear

Truly covert installation with the lowest profile available

- Fully supports IEEE802.3af Class 2 Power over Ethernet (PoE)
- Easy installation
- Pleasing aesthetics
- Minimum illumination 0.5 lux, providing the most clarity in low light among peers
- Convenient surface-mounting enclosure
- Suitable for ceiling, wall or table mounted applications

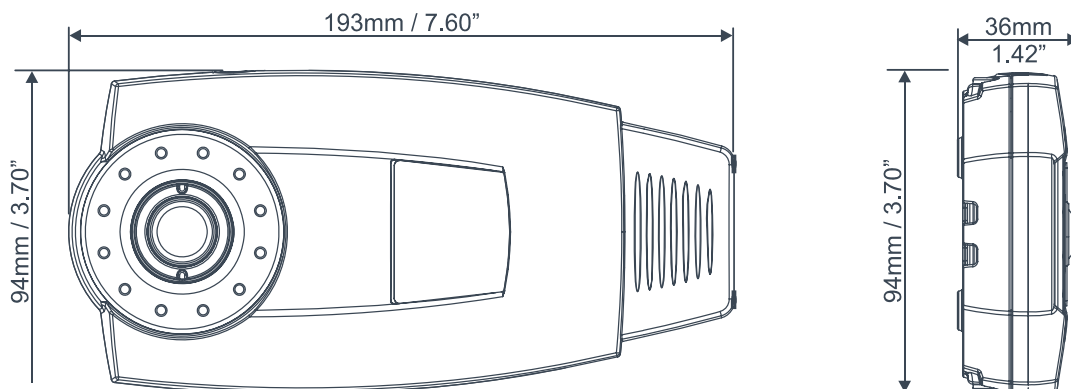


Dewarped PTZ virtual cameras (VCams)

- Uses powerful, patented on-camera image processing
- Independent pan, tilt and zoom (PTZ) operation with each VCam, as well as panorama and fisheye images
- Motion detection within polygonal-defined areas of interest
- Up to four targets or events tracked simultaneously on one camera
- Polygonal, configurable privacy regions
- 10x digital zoom
- Retrospective scene analysis with vPTZ when used with a compatible recorder

Multiple video streams with choice of resolutions

- Optimizes bandwidth and storage utilisation
- Multiview video streams
- Video streams in multiple resolutions from QQVGA (160x120) to 2144x1944
- 4fps typical and up to 10fps for virtual cameras
- MJPEG stream with multiple quality levels
- Multilevel password protection
- Intuitive web-based interface for viewing and configuration
- Highly configurable Event Management with notifications via Email, FTP and external output
- Integrates NVRs directly to the camera by utilising Oncam Grandeye's separately provided SDK
- Supports major VMS systems



Halocam IPW

Surface-mounting 360° IP Camera



ONCAM
GRANDEYE

HALOCAM IPW TECHNICAL SPECIFICATIONS	
Model	GE-IPP-002
General	
Field of view	360°
Image sensor	5 megapixel
Angle of view	180° hemisphere
Minimum illumination	0.5 lux
Frame rate	4 fps typical and up to 10fps for virtual cameras
Zoom	10x digital
Video analytics	10 polygonal regions of interest; motion detect; motion track; configurable response; multitarget simultaneous tracking; adjustable tracking characteristics
vPTZ	Immediate response
Presets	10 preset views
Image pipeline	12-bit
External input	1 contact input
External output	1 momentary or transparent
Security	Multilevel access with configurable passwords
Users	20 simultaneous users
Event management	Triggered by motion, external input or HTTP event. Result configurable; PTZ tracking; external output; FTP/SMTP upload
Networking	HTTP, FTP, SMTP, DHCP, DNS, NTP
Privacy	10 polygonal, configurable privacy regions
Electrical	
Ports	RJ45 for 100Base-TX; 2.1mm DC Input jack; 3-pin 1.5mm Phoenix for external I/O
Network cable type	CAT5 or better for 100Base-TX
Power input	PoE or 5V DC rated @ at least 1A
Power consumption	5W typical
Mechanical	
Camera mount	4 x M4.5 (No8) screw, supplied, to secure base of camera to surface
Weight	1.2kg (2.64lbs)
Enclosure	All-aluminum dome enclosure with polycarbonate dome cover
MTBF	Predicted mean time between failure: 103,906 hours
Environmental	
Operating temperature range	-40 to +70°C (-40 to 158°F) in accordance with 85 EN 50155"
Storage temperature range	-40 to +70°C (-40 to +158°F)
Ingress protection rating	Indoor use only
Video	
Video codec	Motion JPEG
Compression level	95 levels of compression adjustment
Video stream resolution	Virtual cameras at: QQVGA; QVGA; VGA; XGA Panoramas at: 640x208; 1024 x 336 Fisheyes at: VGA; QVGA; 1024x1024; 1424x1424; 2144x1944
Sensor control	Auto/manual exposure; auto/manual night mode; auto white balance
Image control	Per VCam brightness/contrast/saturation; compression quality; wall/ceiling/table camera mount
VMS supported	Most major VMS systems
Web browser compatibility	Internet Explorer (with ActiveX plug-in, supplied); Firefox
Certifications/Ratings/Patents/Products	
Patents	15 patents; 15 patents pending; 20 licensed patents
Approvals	IEEE802.3af Class 2; EMC: (CISPR Class A) FCC; CE; ICES-003; Safety: UL60950
Other related products	IPZoom 360° camera and software; Conceal-mounting IP camera (IPC); IP67-rated Minidome IP camera (IPM); Thin Conceal-mounting IP camera (IPT); Halocam-R 3-megapixel analogue camera; Halocorder high-resolution 360 recorder

Oncam Grandeye | 115 Hammersmith Road, London W14 0QH, UK | www.oncamgrandeye.com | t: +44 (0) 207 371 6640 | e: sales@oncamgrandeye.com

Copyright 2012 by Oncam Global Group AG. Oncam Grandeye is the trading name of Oncam Global Group AG. All rights reserved. All screen images are simulated. Specifications and configurations subject to change without notice. IPZoom and the IPZoom logo are trademarks of Oncam Global Group AG (and its affiliates). SATIV is a service mark of Oncam Global Group AG (and its affiliates). The names of companies, entities, organizations and/or products/services mentioned herein may be the trademarks of their respective owners.