

# GFC IMP Series Dome Cameras

## UP TO 8 MPX (4K), H.264, H.265, IR, DAY/NIGHT IP DOMES

### Product Features

- H.265/H.264/MJPEG video encoding
- Up to 8 megapixel (MPx) (4K) resolution
- Up to 30 images per second (ips) at 8 MPx
- P-Iris autofocus motorized remote zoom lens
- Integrated adaptive IR illumination
- Operating temperature up to 65°C (149°F)
- Up to 256 GB edge storage with Micro SD card
- Motion detection and camera sabotage detection
- Power over Ethernet (PoE+) Class 4, 24 VAC (18 to 32 VAC), 12 VDC
- Pelco Smart Compression Technology
- Vandal resistant to IK10, IP66 ingress protection
- Compatible with Pelco and third-party video systems
- ONVIF Profile S, Profile G, and Profile Q conformant
- Full 3-year warranty

### Pelco GFC 4K Series

Powerful, versatile, and affordable, the **Pelco GFC 4K Series** cameras pack the most popular features and functionality of Pelco cameras into a wide range of indoor and environmental options, including bullet cameras and domes. Mix and match the performance options and form factor you need for almost any lighting condition, environment, and application.

### Camera

Within the **Pelco GFC 4K Series**, the **GFC IMP Series** mini dome cameras feature a P-Iris remote zoom lens for wide angle or long range surveillance needs. Autofocus capability ensures the camera can be automatically refocused when needed. Additionally, the **GFC IMP Series** features advanced color science and a mechanical IR cut filter for increased sensitivity in low-light installations.

### Video

**Pelco GFC 4K Series** cameras support up to three simultaneous video streams. The streams can be compressed with efficient H.265 Main profile, H.264 High or Main profiles or MJPEG. The streams can be configured to a variety of frame rates and variable bit rates to optimize image quality with bandwidth and storage efficiency.



### Edge Storage

**Pelco GFC 4K Series** cameras feature onboard edge storage with a micro SD card. Video clips of varying lengths can be stored to the card upon alarm, or video can be written continuously to the SD card in the case of network outage. Video can be retrieved from the card through the FTP protocol or by using an ONVIF Profile G enabled client.

**Pelco GFC 4K Series** cameras feature a simple motion detection algorithm that allows the camera to record or send an alarm when there is motion detected in a selected zone or within the entire scene. A camera sabotage alarm is triggered if the lens is obstructed or when the camera is repositioned.

### Open and Integrated

**Pelco GFC 4K Series** cameras seamlessly connect to Pelco video management systems such as VideoXpert™ as well as for most capabilities on Endura® version 2.0 (or later) and Digital Sentry® version 7.3 (or later). **Pelco GFC 4K Series** cameras integrate with major third-party systems through the open Pelco API or the ONVIF Profile S, Profile G, and Profile Q standards.

### Standard Web Interface

Pelco cameras use a standard Web browser interface for easy remote setup and administration. Controls are optimized for convenient one-step camera configuration for features including color, exposure, flicker control, and streaming.



by Schneider Electric



International Standards  
Organization Registered Firm;  
ISO 9001 Quality System



C4056 / New 11-14-18

# TECHNICAL SPECIFICATIONS

## BACK BOX FEATURES



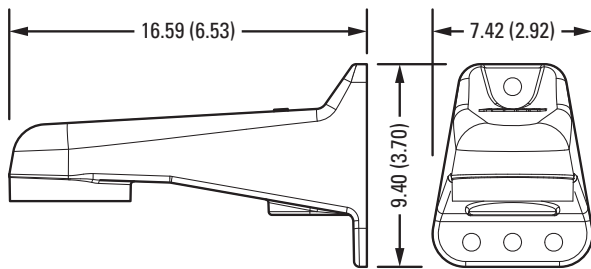
### Surface Mount

- Aluminum body and trim ring; polycarbonate bubble
- RAL 7047
- IP66 Ingress Protection
- Type 4X (Model IMP831-1ERS only)
- NEMA TS-2 (Temp.) para 2.2.7.3 - 2.2.7.7
- IK10 (20J) Impact Resistance
- PoE+, Class 4, 24 VAC, 12 VDC



VALUES IN PARENTHESES ARE INCHES; ALL OTHERS ARE CENTIMETERS.

### WMVE-SR (ENVIRONMENTAL) WALL MOUNT



Color: RAL 7047

# TECHNICAL SPECIFICATIONS

## CAMERA

Imaging Device

MPx	Sensor	Maximum Resolution
8 MPx	1/2.5-inch	3840 x 2160 (8.0 MPx)

Imager Type

CMOS

Imager Readout

Progressive scan

Electronic Shutter Range

1/5 ~ 1/30,000 sec

Dynamic Range

100 dB

White Balance Range

2,000° to 10,000°K

3D Noise Reduction

Yes (ON/OFF selectable)

Minimum Illumination

MPx	Sensitivity	Color		Mono Without IR Illumination	
		33 ms	200 ms	33 ms	200 ms
8 MPx	f/1.6	0.20	0.0125	0.10	0.0125

Mechanical IR Cut Filter

Yes (AUTO/MANUAL selectable), with different set points on lux

IR Illumination

Adaptive IR up to 30 m; auto ON in night mode, or off; IR range may drop when ambient temperature goes higher than 50°C (122°F)

Signal to Noise Ratio

≥50 dB

## LENS

Lens Type

Built-in; varifocal

Focus

Autofocus, motorized

Focal Length

f/1.6, 3.5 ~ 10 mm

Zoom

Remote

Auto Iris Type

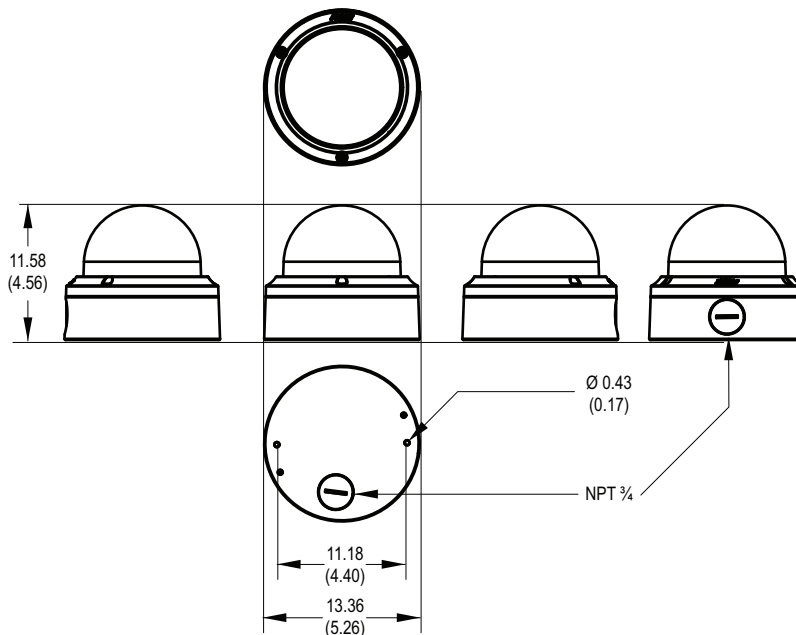
P-Iris

Field of View\*

Lens	Angle of View	Wide	Tele
3.5 to 10 mm	Diagonal	129°	43°
	Horizontal	107°	37.5°
	Vertical	55.4°	21.0°

\*Field of view may vary with changes in resolution settings.

## GFC IMP SERIES DOMES



# TECHNICAL SPECIFICATIONS

## VIDEO

Video Streams Up to three simultaneous streams  
Video Overlay Camera name, time, date, and customizable text with multiple supported languages

Maximum Resolutions

Stream	Width	Height	Aspect Ratio
Stream 1	3840	2160	16:9
Stream 1	2880	2160	4:3
Stream 2	1920	1080	16:9
Stream 2	2048	1536	4:3
Stream 3	1024	576	16:9
Stream 3	960	720	4:3

Output

Stream	MPx*
Stream 1	8, 6, 5, 3.7, 3, 2, 1, 0.5, 0.3, 0.25
Stream 2	3, 2, 1, 0.5, 0.3, 0.25
Stream 3	0.7, 0.6, 0.3, 0.25

\*Depends on the selected aspect ratio.

Frame Rate Range 1 to 30 ips  
Video Encoding H.265/H.264/MJPEG  
Bit Rate Control Constant bit rate (CBR), constrained variable bit rate (CVBR) with configurable maximum value  
Corridor Mode Electronic image flip and mirror: 180°, 90° and 270° (H.264 only)  
Window Blanking 16 configurable windows

## PELCO'S SMART COMPRESSION TECHNOLOGY

Pelco's Smart Compression Technology lowers bandwidth and storage requirements by up to 70%. Our technology allows the user to make intelligent decisions regarding storage savings and image quality.

Pelco's Smart Compression Technology dynamically analyzes motion occurring within live video in real-time, to intelligently compress the information you don't need, while retaining details with clear quality in the areas that are important in the scene. By enabling Dynamic GOP, an added feature of Smart Compression, the number of I-frames are automatically reduced in scenes with low motion. Based on the complexity of scenes and motion occurring, such as a store room that has limited entry and exit, up to 70% bandwidth savings can be achieved.

## AUDIO

Streaming Bi-directional  
Input Differential Line In/Out with terminal block, built-in microphone  
Encoding G.711 A-law/G.711 U-law

# TECHNICAL SPECIFICATIONS

## ELECTRICAL

Network Port	RJ-45 connector for 100Base-TX
Power Input	PoE+ (Class 4), 24 VAC (18 to 32 VAC), 12 VDC (±10%)
Power Consumption	
Nominal	5W (8.3VA)
System with IR on	6.6W (10.8VA)
System with IR and heaters on	19W (22.3VA)
Maximum power consumption	23W (26.6VA)
Local Storage	Up to 256 GB on SDXC card
Alarm	
Input	Unsupervised or supervised alarm input
Output	1; Relay (30 V, 1 A)

## ENVIRONMENTAL

Operating Temperature	–40° to 60°C (–40° to 140°F), 65°C (149°F) @ 4 hour/day The 74°C (165.2°F) absolute maximum ambient temperature per NEMA TS-2 applies to environmental models.
Storage Temperature	–40° to 60°C (–40° to 140°F)
Operating Humidity	5% to 90%, RH
Storage Humidity	5% to 90%, RH noncondensing
Cold Start	–40°C (–40°F)

## GENERAL

Construction	Aluminum body and trim ring; polycarbonate bubble (environmental)	
Finish	RAL 7047	
Pan/Tilt Adjustment	Manual	
Pan	355°	
Tilt	–10° to –90°	
Rotate	±100°	
	Indoor Dome	Environmental Dome
Unit Weight.	0.98 kg (2.16 lb)	0.98 kg (2.16 lb)
Shipping Weight	1.21 kg (2.67 lb)	1.35 kg (2.98 lb)

## NETWORK

Supported Protocols	TCP/IP, UDP/IP (unicast, multicast IGMP), ICMP, IPv4, IPv6, SNMP v2c/v3, HTTP, HTTPS, SSL, SSH, SMTP, FTP, RTSP, UPnP, DNS, NTP, RTP, RTCP, LDAP (client), QoS, GB28181
Users	
Unicast	1 administrator, up to 4 viewers
Multicast	Unlimited users H.264
Security Access	Multiple user access levels with password protection

## INTEGRATION

Video Management	VideoXpert; Endura 2.0 (or later)*; Digital Sentry 7.3 (or later)*; Third-party VMS through Pelco API, ONVIF Profile S, Profile G, and Profile Q
------------------	---

\*Some capabilities have limited support.

Mobile Application	Pelco Mobile
Analytics	Simple motion detection and camera sabotage detection
Local Storage	Capture 1-, 5- or 10-second video clips on camera sabotage, motion detection, or alarm input; record video continuously in the case of network outage with option to overwrite; access video through FTP protocol and ONVIF Profile G
Camera Discovery and Firmware	Discover cameras and upgrade firmware using VX Toolbox, the Pelco Device Utility 2 version 2.2 or later; cameras discovered and firmware upgrade through Pelco Utilities
Web Browser Support	Microsoft® Internet Explorer® 9.0, Apple® Safari® 7.0.6, Mozilla® Firefox® 31.0, Google® Chrome™ 37.0.2062.124 m and later
Multilingual User Interface	English, French, German, Italian, Portuguese, Arabic, Russian, Spanish, Turkish, Korean, Simplified Chinese

# TECHNICAL SPECIFICATIONS

## SYSTEM MODEL NUMBERS\*

Back Box	Resolution	Lens	Model Number	Description
Surface	8 MPx	3.5 to 10 mm	IMP831-1ERS	GFC IMP Series 4K Dome IR Mic, with NEMA 4X Mounting Plate
Surface	8 MPx	3.5 to 10 mm	IMP831-1RS	GFC IMP Series 4K Dome IR Mic

\*System options contain a back box/mount, camera, and clear dome.

## CERTIFICATIONS\*

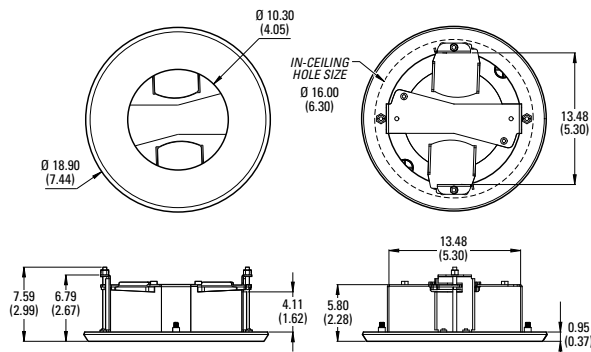
- CE (Class A)
- EAC
- BIS
- RoHS
- FCC (Class A)
- UL and cUL Listed
- ICES-003 (Class A)
- RCM
- KC
- NOM
- NEMA TS-2 (Temp.) para 2.2.7.3 - 2.2.7.7
- ONVIF Profile S, Profile G, and Profile Q conformant
- Type 4X (IMP831-1ERS only) and IP66 rated enclosure when installed properly
- IEC 62676-5
- IEC 60068-2-2
- IEC 60068-2-78
- IEC 60068-2-30
- IEC 60068-2-1
- IEC 60068-2-6
- IEC 60068-2-27

\*At the time of this publication, certifications are pending. Consult the factory or [www.pelco.com](http://www.pelco.com) for the current status of certifications.

## RECOMMENDED MOUNTS

WMVE-SR	Wall mount, 1.5 in., NPT, environmental, RAL 7047
IMEICM-E	Environmental in-ceiling mount, RAL 7047
IMEPEM-E	Environmental pendant mount, RAL 7047
IMEEBAP-E	Environmental electrical box and Type 4X adapter

### IMEICM-E IN-CEILING MOUNT

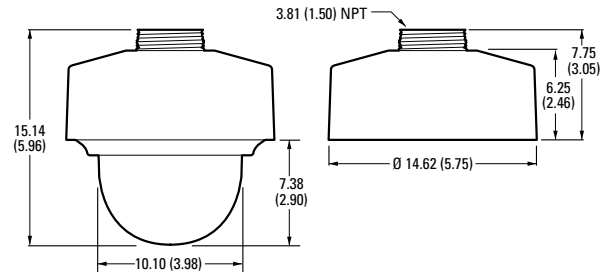


Color: RAL 7047

## OPTIONAL ACCESSORIES

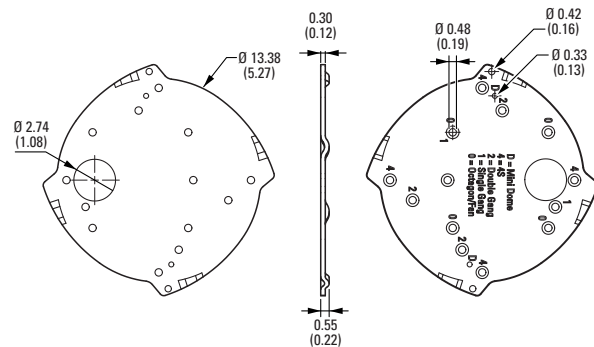
PA101	Pole adapter for use with WMVE-SR pendant mount
MCS Series	Indoor, 24 VAC power supply
WCS Series	Outdoor, 24 VAC power supply
POE1AT-US	Single-port PoE+ midspan with US power cord
POE1AT-EU	Single-port PoE+ midspan with EU power cord
POE8ATN-US	8-port PoE+ midspan with US power cord
POE8ATN-EU	8-port PoE+ midspan with EU power cord
POE16ATN-US	16-port PoE+ midspan with US power cord
POE16ATN-EU	16-port PoE+ midspan with EU power cord

### IMEPEM-E PENDANT MOUNT



Color: RAL 7047

### IMEEBAP-E 4S ELECTRICAL BOX ADAPTER



Color: RAL 7047

## Pelco by Schneider Electric

625 W. Alluvial, Fresno, California 93711 United States

USA & Canada Tel (800) 289-9100 Fax (800) 289-9150

International Tel +1 (559) 292-1981 Fax +1 (559) 348-1120

[www.pelco.com](http://www.pelco.com) [www.pelco.com/community](http://www.pelco.com/community)

Pelco, the Pelco logo, and other trademarks associated with Pelco products referred to in this publication are trademarks of Pelco, Inc. or its affiliates. ONVIF and the ONVIF logo are trademarks of ONVIF Inc. All other product names and services are the property of their respective companies.

Product specifications and availability are subject to change without notice.

©Copyright 2018, Pelco, Inc. All rights reserved.