

# RC3502SV-7311/IR



## Full HD Starvis Sensor Outdoor (IR) Dome IP Camera

- Full HD1080p @ 30fps
- Remote Zoom/Focus Control (One Click AF)
- Video Compression: H.264, MJPEG
- True Day/Night and true WDR
- Superior low light performance
- Video Dual Stream, Two-way Audio with G.711
- -7311IR - built-in IR illuminator with Smart IR control
- MicroSD/SDHC Memory Card Slot
- ONVIF Support, PoE (IEEE 802.3af)
- Embedded VCA Technology Video Analytics
- Vandal Proof IK-10 / IP66 Protection Ration



### Specifications

| CAMERA                           |  |
|----------------------------------|--|
| <b>Model</b>                     | <b>RC3502SV-7311:</b> Motorized Focus & Zoom lens<br><b>RC3502SV-7311IR:</b> Motorized Focus & Zoom lens / built-in IR LED                               |
| <b>Image Sensor</b>              | SONY STARVIS 1/2.8" 1080p CMOS   |
| <b>Effective Pixels</b>          | 1920 x 1080  |
| <b>Scanning System</b>           | Progressive scanning   |
| <b>AGC Control</b>               | Auto, adjustable amplification level   |
| <b>Auto IRIS (DC)</b>            | Iris control via camera unit   |
| <b>Minimum Illumination</b>      | Color: 0.2Lux / 0.01Lux (DSS On)<br>-7311IR: B/W : 0.006 Lux<br>-7311IR: B/W : 0.00 Lux (IR LED On)  |
| <b>Lens</b>                      | 2.8(w) – 12.0mm(t), F1.4(w) – F2.6(t), Motorized Focus & Zoom Control – One Click Focus Function   |
| <b>Lens Angle of View</b>        | Horizontal: Approx. 99°(Wide) to 35°(Tele)<br>Vertical: Approx. 54°(Wide) to 20°(Tele)   |
| <b>Shutter Time</b>              | 1/10000s to 1/2s   |
| <b>Shutter Exposure Modes</b>    | Automatic - with configurable min/max shutter speed (exposure time range)<br>Manual - with configurable fixed shutter speed<br>Flicker-Control - 50/60Hz |
| <b>Day &amp; Night Switching</b> | Auto/Manual (both switching level adjustable 1 ~ 64) removable IR Cut Filter   |
| <b>Image Settings</b>            | Configurable brightness, contrast, saturation, sharpness, vertical flip & horizontal mirror function<br>Corridor Mode (-90° / +90° image flip)           |
| <b>2D-DNR</b>                    | Configurable digital noise reduction 1 ~ 16  |
| <b>Wide Dynamic Range</b>        | Up to 120dB Dynamic Range with activated WDR   |
| <b>Exposure Adjustment</b>       | +1.0, +0.6, +0.3, 0, -0.3, -0.6, -1.0 EV   |
| <b>White Balance</b>             | ATW1 / ATW2 / Push / Manual  |
| <b>DSS (Sens-up)</b>             | Configurable digital slow shutter 2X ~ 16X   |
| <b>Backlight Compensation</b>    | BLC On/Off (possible to designate zone)  |
| IR ILLUMINATOR (-7311IR ONLY)    |  |
| <b>IR LED</b>                    | IR LED x 28 (850nm)  |
| <b>IR Working Distance</b>       | approx 40m (131ft)   |
| <b>SMART IR</b>                  | Automatically adjust the infrared light to the best, according to the brightness of the scene  |

| VIDEO                       |  |
|-----------------------------|--|
| <b>Video Compression</b>    | H.264 Baseline, Main, High profile (MPEG-4 Part 10/AVC), MJPEG (Motion JPEG)   |
| <b>Video Streaming</b>      | Dual Stream, Independent Configurable<br><b>H.264:</b> Controllable frame rate and image resolution, bandwidth limitation (CVBR/CBR)<br><b>MJPEG:</b> Controllable frame rate and image resolution, JPEG quality             |
| <b>Resolution</b>           | <b>16:9 model</b><br>1920x1080, 1280x720, 1120x630, 960x540, 800x450, 640x360, 480x270, 320x180<br><b>4:3 model</b><br>SXGA(1280x960), XGA(1024x768), SVGA(800x600), PAL(720x576), NTSC(720x480) VGA(620x480), QVGA(320x240) |
| <b>Frame Rate</b>           | H.264: Configurable up to 30fps in all resolution*<br>MJPEG: Configurable up to 30fps in all resolution*   |
| <b>Motion Detection</b>     | Max. 8 zones with independent configuration of detection sensitivity and target object size  |
| <b>Video Stabilization</b>  | Supported for First/Second Stream and Snapshot   |
| <b>Defogging</b>            | Selectable Defogging level (low, medium, high)   |
| <b>Text Overlay</b>         | Free positioning of display for time/ data/ name (name up to 48 signs)   |
| <b>Privacy Mask Zones</b>   | 4 flexible configurable region   |
| <b>Analogue Video</b>       | -  |
| AUDIO                       |  |
| <b>Audio Input / Output</b> | Line-In: 0.178Vp-p, 10KΩ<br>Lineout: 2.26Vp-p, 10KΩ  |
| <b>Compression Format</b>   | G.711-uLaw   |
| NETWORK                     |  |
| <b>Ethernet Standard/IP</b> | 10 / 100 Base-T / IPv4, IPv6   |
| <b>Protocol</b>             | QoS Layer 3 DiffServ, TCP/IP, UDP/IP, HTTP, HTTPS, FTP, RTSP, RTP, RTCP, RTP/UDP, RTP/TCP, mDNS, UPnP™, SMTP, DHCP, DNS, DynDNS, NTP, SNMPv1/v2c/v3(MIB-II), IGMP, ICMP, SSLv2/v3, TLSv1, SRTP, RTMP                         |
| <b>Users Connection</b>     | Live viewing for up to 10 clients  |
| <b>Security</b>             | HTTPS(SSL), IP Filtering, Multi-level access with password protection  |

# RC3502SV-7311/IR

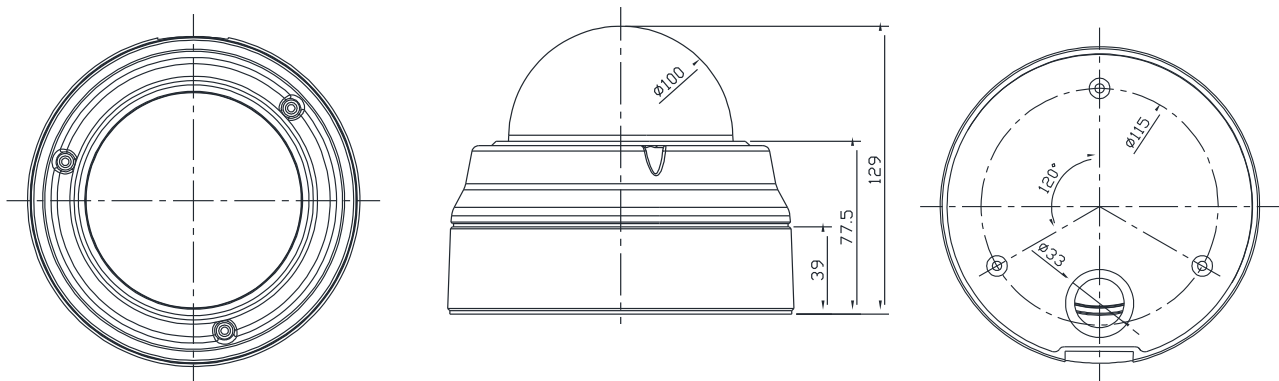
| GENERAL                                  |   |
|--|---|
| <b>I/O Terminal</b>                      | 1x Alarm In - max 50mA@5VDC, TTL<br>2x Alarm Out - max 50mA@24VDC, TTL  |
| <b>Edge Storage</b>                      | Via micro SD/SDHC card (up to 32GB) for continuous or event recording. Search interface for event files, playback and download (card not included).                   |
| <b>Application Programming Interface</b> | Software Development Kit (SDK) available, ONVIF compliant   |
| <b>Event Metadata Streaming RTSP/RTP</b> | Video Motion Detection(MD), Video Content Analytics(VCA)  |
| <b>ONVIF</b>                             | Version: 2.41 (Support Profile S and G)   |
| <b>Event Sources</b>                     | Sensor(DI), Video Motion Detection, Tamper Detection, Video Content Analytics(VCA), Network Loss/Detect, Network Setting Change, Time (Recurrence/Schedule)           |
| <b>Event Actions</b>                     | Notification service via TCP/IP, HTTP, multicast or email text messages with snapshot, DO-contact, file upload on external FTP server, local SD memory card recording |
| <b>Approvals</b>                         | FCC, CE, KC, IP66, IK-10, RoHs  |
| ELECTRICAL                               |   |
| <b>Power Source</b>                      | 12V DC / PoE (IEEE 802.3af)   |
| <b>Power Consumption</b>                 | <b>-7311:</b> 9W @ DC 12V (Heater On)<br><b>-7311IR:</b> 10W @ DC 12V (Heater, IR-LED On)   |
| ENVIROMENT                               |   |
| <b>Operation Temperature</b>             | DC12V/PoE : -40°C ~ 50°C (-40°F ~ 122°F)<br>Built-in heater   |
| <b>Operating Humidity</b>                | Up to 85% RH, Non-condensing  |
| <b>Material</b>                          | Aluminum Die Casting, Anti-vandal bubble (PC)   |
| <b>Color</b>                             | White   |
| <b>Dimension</b>                         | Housing: 155( Φ ) x 129(H) mm, (Ø6.2" x 5.1")<br>Bubble: 100( Φ ) mm (Ø3.9")  |
| <b>Weight (Approx)</b>                   | 1.2kg (2.7 lbs)   |

| VIDEO CONTENT ANALYSIS (Included as Standard)     |   |
|---|---|
| <b>High Performance</b>                           | Advanced tracking algorithm and low false alarm rate  |
| <b>Easy to Use</b>                                | Intuitive web browser interface   |
| <b>Detection Zones and Rules</b>                  | Up to 40 zones (multi-segment polygons and lines)<br>60 VCA filter rules in total   |
| <b>On-screen Display</b>                          | Real-time display of tracking data and events via activeX plug-in in IE browser   |
| <b>Burnt in Annotation</b>                        | Allows the VCA annotation to be burnt into the raw video stream for displaying on third party application   |
| <b>Tamper Detection</b>                           | Recognize camera tampering via VCA detection (defocusing, lens covering, camera moving)   |
| VIDEO CONTENT ANALYSIS (Option extension License) |   |
| <b>Available License</b>                          | VCAdetectIP, VCAcountIP, VCAadvancedIP, VCAprofessionalIP   |
| <b>VCA Detection Filters</b>                      | Objekt: Enter, Exit, Appear, Disappear, Stop, Direction, Dwell, Speed, Unauthorized Access, Counting Line, Color Filter, Object Classification  |
| <b>VCA Features</b>                               | <ul style="list-style-type: none"> <li>- Up to 20 Onscreen Counter Displays</li> <li>- Counting-Line for accuracy people and vehicle counting with local database and reporting service</li> <li>- VCA calibration via 3D tools for right object size detection</li> <li>- Several definable object class to include into the detection rules for the VCA alarm</li> <li>- 10 colors in total to distinguish objects by color</li> <li>- People tracking mode to tracks individuals separately among overlapped multiple people</li> <li>- Heatmap Report shows relative crowd density of the 24 hour period (criterion: midnight)</li> </ul> |
| <b>Logical Rules</b>                              | Extension of alarm rules using logical operators (AND, OR..) for the VCA detection filters of created zones / lines   |

\* If VCA is activate, frame rate is limit to max. 15fps@1080p.

## Dimension

(Unit: mm)



Standard Camera



RC3502SV-7311



Standard Camera



RC3502SV-7311IR



## ■ Super Low Light Performance

One of the major complaints from CCTV users is known to be poor visibility at night time. RC3502SV equipped with the Sony STARVIS image sensor can be a solution to soothe the complaining customers. RC3502SV shows off its outstanding imaging functionality especially when it performs in low light conditions. Image appears brighter, thus objects and the details become more visible in RC3502SV compared to the conventional full HD IP cameras.

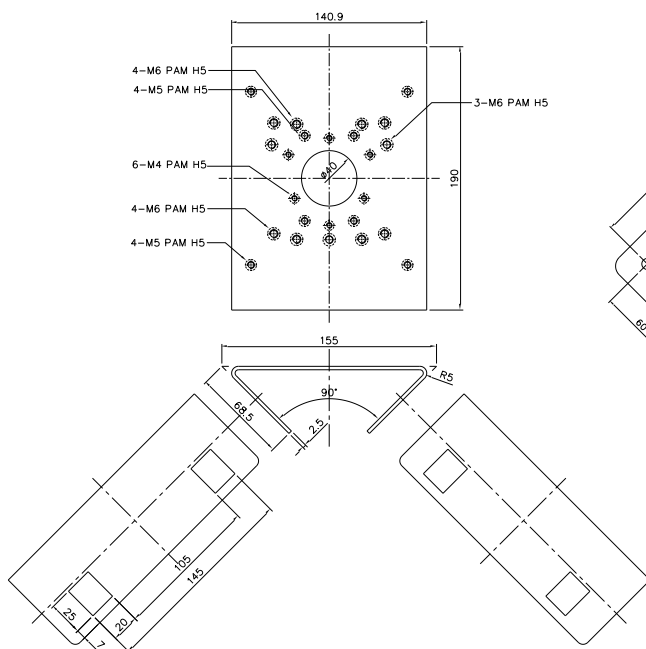
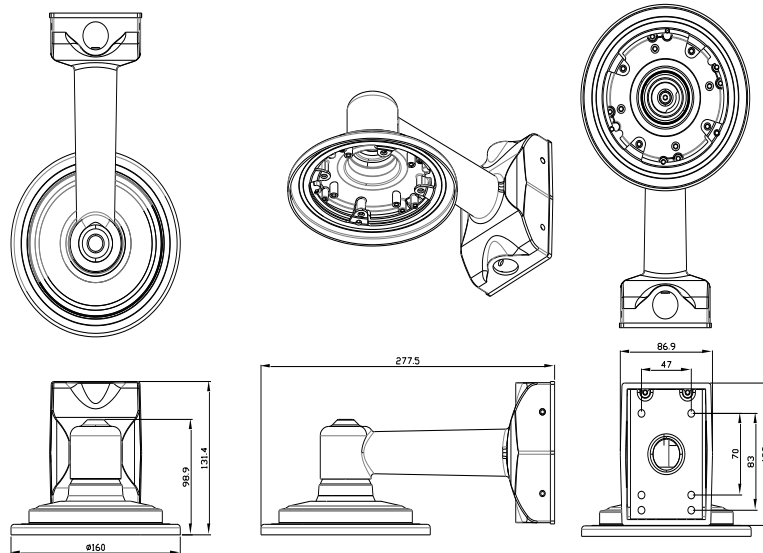
## ■ Improved Performance of Video Analytics

RC3502SV's superior imaging functionality in low light conditions promotes the leading-edge video analytics to perform its best by eliminating the low light barrier that causes the video analytics engine to have difficulty detecting

## Accessories

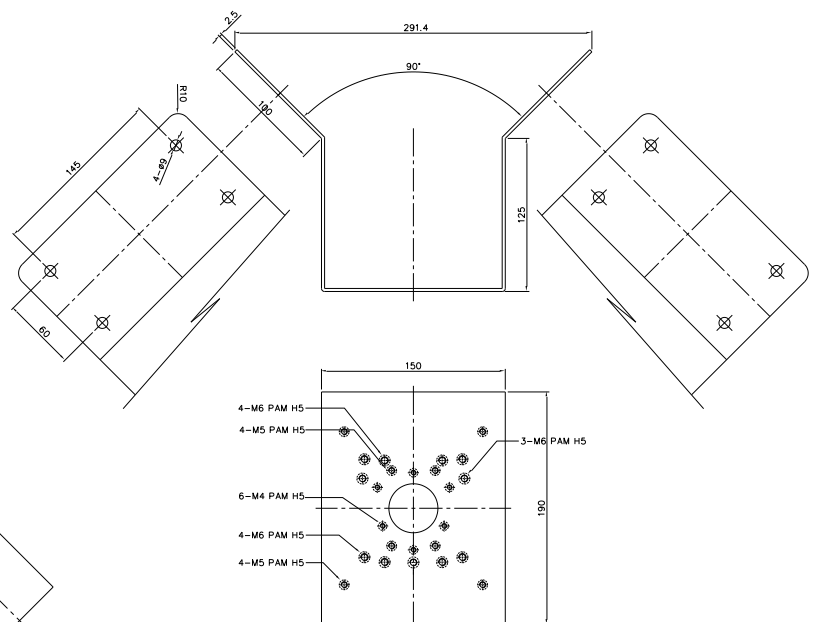
### Wall Mount Bracket

Model: WMB-3000  
Weight: 1Kg (2.2lb)



### Pole Mount Adaptor

Model: PMA-U100  
Weight: 2,28Kg (5.0lbs)



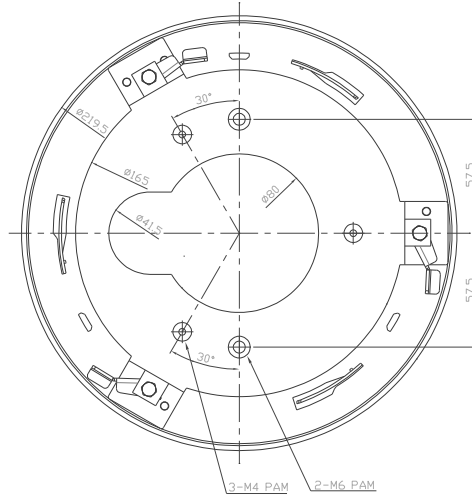
### Corner Mount Adaptor

Model: CMA-U100  
Weight: 946g (2.1lbs)

To mount wall bracket WMB-3000 on pole or corner the adaptor PMA-3000 or CMA-3000 can use alternative.

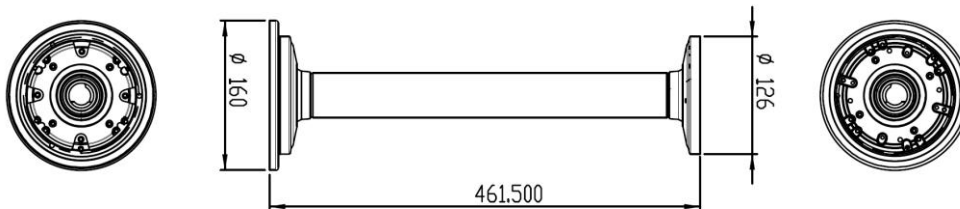
## Flush Mount Bracket

Model: FMB-3502  
Weight: 400g (0.9lb)



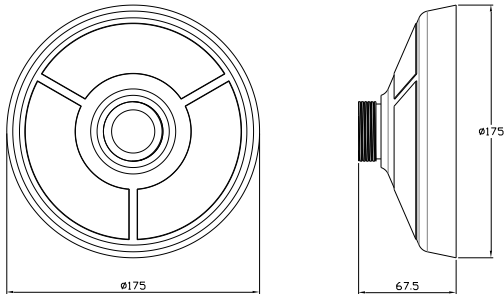
## Ceiling Mount Bracket

Model: CMB-3000  
Weight: 400g (0.9lb)



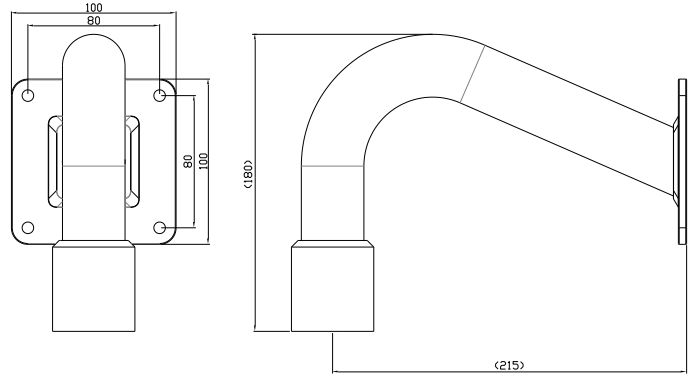
Please note: To cover IP classification of the camera housing or bracket need accordingly installation

## Additional Accessories



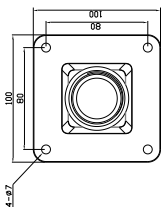
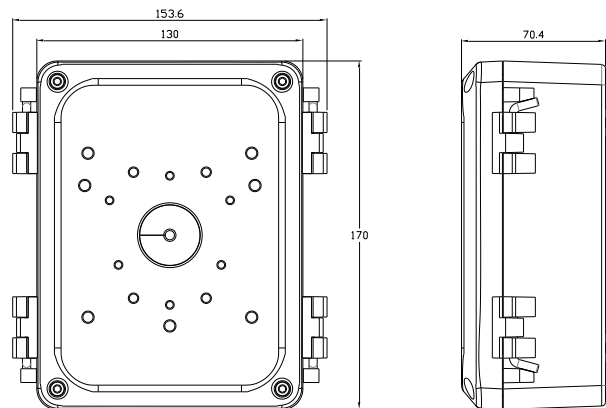
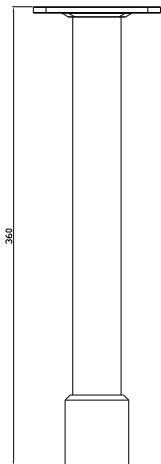
### Pendant Mount Cap

Model: PMC-3000  
Weight: 427g (0.94lbs)



### Wall Mount Bracket

Model: WMB-3000P  
Weight: 430g(0.95lbs)



### Ceiling Mount Bracket

Model: CMB-3000P  
Weight: 437g (1.0lbs)

### Junction Box

Model: JBK-U100  
Weight: 1.02Kg (2.2lbs)

