

H.264 Outdoor Dome IP Camera Included Fan and Heater

High quality Outdoor Dome IP H.264 camera with fan and heater included. The camera contains high quality CCD sensor for low light condition and includes Video Analytic solution as a standard feature

- Embedded Intelligent Video Analytics
- H.264 25/30 FPS@D1, 2-way Audio
- Video Compression: H.264, MPEG-4, MJPEG, Dual Stream
- Enhanced Deinterlacing on DSP,
- MicroSD Memory Support
- Burnt-in Text, Video Motion Detection Support
- Included fan and heater, IP66 Support
- Comprehensive SDK Support



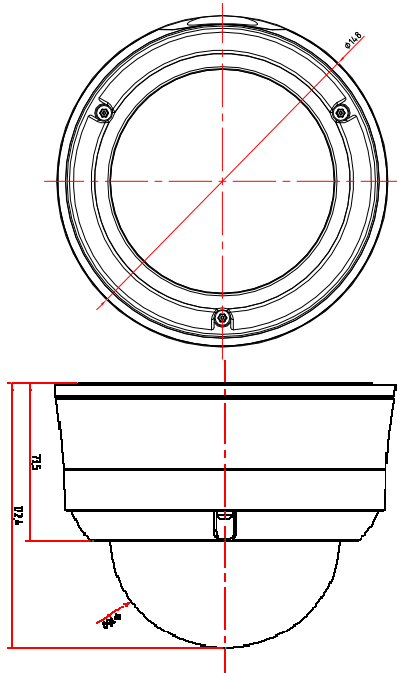
Video Analytics
included

Specifications

| Camera Module | |
|-------------------------|---|
| Image Sensor | Sony 1/3" SONY Super HAD CCD |
| Effective Pixels | 768 x 494 (NTSC) / 752 x 582 (PAL) |
| Scanning System | 2:1 Interlace |
| Horizontal Resolution | 540 TVL (Min.) |
| S/N Ratio | 52dB (AGC Off) |
| Minimum Illumination | 0.3 Lux (50 IRE, AGC HIGH, DNR HIGH) 0.002 Lux (Sens-up X 128) |
| Lens | 2.8~10.5 mm F1.2 DC Auto Iris Board Vari-Focal |
| Day & Night | S/W (RC3510-1111) IR Cut Filter Remove (RC3510-1211/RC3510-2211) |
| Video | |
| Compression Format | H.264, MPEG-4, MJPEG |
| Number of Streams | Dual Stream, Configurable |
| Resolution | D1, 4CIF, 2CIF, VGA, QVGA, CIF, QCIF |
| Frame Rate | 25/30 fps@D1 |
| De-interlacing | Optional (On / Off) |
| Motion Detection | Built-in (DSP) |
| Burnt-in Text (Digital) | Video stream overlay text (DSP) |
| Analog Output | 1 Loop Out, Molex Connector Inside |
| Audio | |
| Input | 1 channel |
| Output | 1 channel |
| Compression Format | G.711 |
| Function | |
| Digital Input | 1 |
| Digital Output | 1 |
| Network | 10 / 100 Base-T |
| Protocol | TCP/IP, UDP/IP, HTTP, RTSP, RTP, RTP/UDP, RTP/TCP, SNMP, mDNS, UPnP, SMTP, SOCK, IGMP, DHCP, FTP, DDNS, SSL v2/v3, IEEE 802.1X, SSH, SNMP v2/v3 |
| SD Memory Card Slot | Optional, microSD up to 8GB |

| Electrical | |
|---|--|
| Power Source | 12V DC |
| Power over Ethernet | Support (IEEE 802.3af Heater doesn't use POE) |
| Power Consumption (Approx) | 1650 mA @ +12V DC |
| Environmental | |
| Operating Temperature Fan | -10°C~ 50°C (14°F~ 122°F) |
| Fan & Heater | -40°C~ 50°C (-40°F~ 122°F) |
| Operating Humidity | p to 85% RH (Non-condensing) |
| Mechanical | |
| Material | Aluminum Die Casting / Polycarbonate |
| Color | Ivory |
| Dimension | Housing: 148(Φ) x 122(H) mm, Dome: 100(Φ) mm |
| Weight (Approx) | 970 g |
| Video Content Analysis (Included as Standard) | |
| High Performance | Advanced Tracking Algorithm, Low False Alarm Rate |
| Easy to Use | Intuitive Web Browser Interface |
| Detection Zones | Multi-segment Polygons and Lines |
| On-screen Display | Real-time Display of Tracking Data and Events |
| Camera Shake Cancellation | Improve the VCA performance with cameras that are prone to shake |
| Tamper Detection | Detect camera tampering |
| Advanced Intelligent Video Analytics (Option) | |
| Detection Behavior | Direction, Stopping, Loitering, Entering, Exiting, Appear, and Disappear Filters, Abandoned/Removed Object Detection, Tailgating Detection |
| 3D Behavior | Perspective Corrected Size and Speed Filters |
| Statistics | Counting Functions and Other Statistics |
| Meta Data | Palin XML Format |
| Image Stabilization (Option) | |
| Electronic Stabilization | Removes Camera Sway |

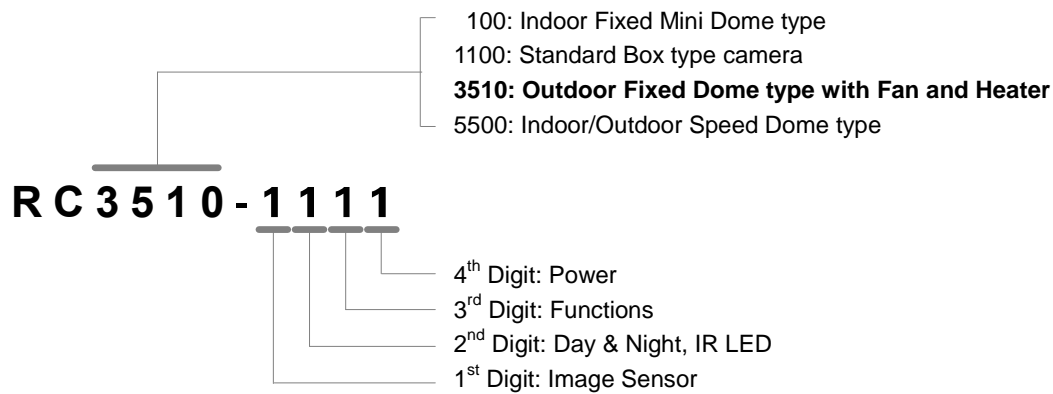
Dimension (unit: mm)



Ordering information

| Option Model | Day & Night | WDR | PoE | USB | SD | VCApresence |
|--------------|-------------|-----|-----|-----|----|-------------|
| RC3510-1111 | S/W | X | 0 | X | 0 | 0 |
| RC3510-1211 | ICR | X | 0 | X | 0 | 0 |
| RC3510-2211 | ICR | 0 | 0 | X | 0 | 0 |

Product Naming Convention



| 1st Digit (RCxxx-0xx) | |
|-----------------------|--------------|
| code | Image Sensor |
| 0 | 270K CCD |
| 1 | 410K CCD |
| 2 | 410K WDR CCD |
| 3 | 1.3M CCD |
| 5 | VGA CMOS |
| 6 | 1.3M CMOS |
| 7 | 2M CMOS |

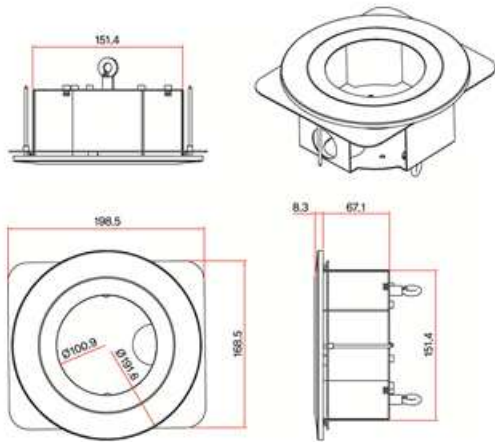
| 2nd Digit (RCxxx-x0x) | |
|-----------------------|--------------------------|
| code | Day&Night, IR LED |
| 0 | None |
| 1 | S/W Day&Night |
| 2 | IR Cut Day&Night |
| 3 | IR LED |
| 4 | S/W Day&Night, IR LED |
| 5 | IR Cut Day&Night, IR LED |

| 3rd Digit (RCxxx-xx0x) | |
|------------------------|----------|
| code | Function |
| 0 | None |
| 1 | S |
| 2 | U |
| 3 | W |
| 4 | SU |
| 5 | SW |
| 6 | UW |
| 7 | SUW |

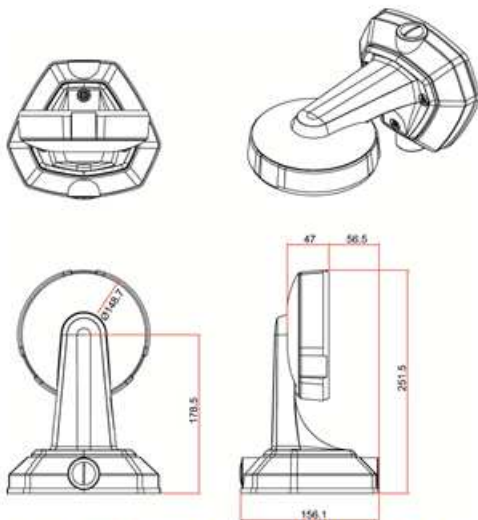
| 4th Digit (RCxxx-xxx0) | |
|------------------------|---------------------|
| code | Power |
| 0 | DC12V |
| 1 | DC12V & PoE |
| 2 | AC24V |
| 3 | AC24V & PoE |
| 4 | DC12V & AC24V |
| 5 | DC12V & AC24V & PoE |

| Abbreviation | |
|--------------|----------------|
| S | = SD memory |
| U | = USB |
| W | = Wireless LAN |

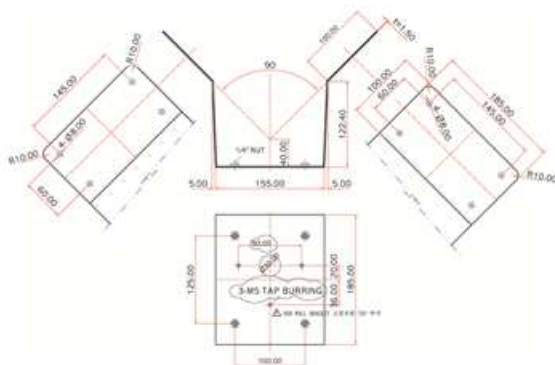
Accessories



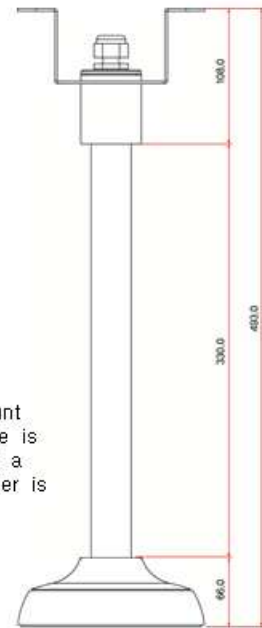
Flush Mount Bracket (FMB-RC3510)



Wall Mount Bracket (WMB-RC35XX)

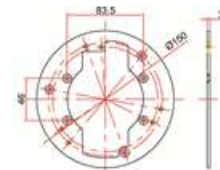


Corner Mount Adaptor (CMA-35XX)

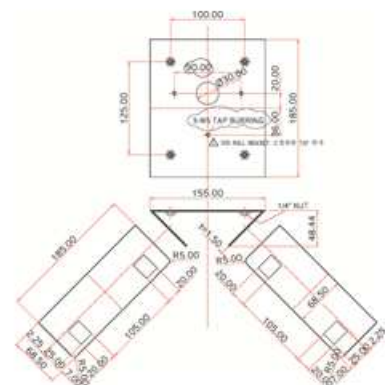


Ceiling Mount Bracket (CMB-35XX-0)

* A ceiling mount bracket cable is required and a separate order is needed



Gang Box Plate (GBP-35XX)



Pole Mount Adaptor (PMA-35XX)