

H.264 Indoor / Outdoor Full HD Speed Dome IP Camera

- Optical 20X, Digital 8X Selectable
- Full Frame at HD1080p, Two-way Audio
- Video Compression: H.264, MJPEG (Dual Stream)
- Day & Night (IR Cut Filter), DSS
- ONVIF Support
- Embedded Intelligent Video Analytics
- Burnt-in Text, Video Motion Detection Support
- Comprehensive SDK Support
- Stealth Spin® (World Most Silent Speed Dome)
- 0.1° Dome System Accuracy
- Controlling Pan/Tilt Speed While Zooming



Specifications

Camera Module (RC4202HD-6416-20)		Function	
Image Sensor	1/3" CMOS 2M Pixel	Protocol	TCP/IP, UDP/IP, HTTP, RTSP, RTCP, RTP/UDP, RTP/TCP, SNTP, mDNS, UPnP, SMTP, IGMP, DHCP, DDNS, SSL v2/v3, IEEE 802.1X, SNMP v2/v3
Effective Pixels	1920 X 1080	SD Memory Card Slot	Support, micro SD card
Lens	Optical	Electrical	
	Digital	Power Source	24 VAC 60/50Hz – PoE+ (802.3at)
Day & Night	Auto / Day / Night	Power Consumption (Approx)	Indoor : Max. 21W Outdoor : Max. 53W (With heating)
Digital Shutter	1/1 to 1/10,000 s, Total 22 steps	Environmental	
Minimum Illumination	Color: 1.5 Lux (50 IRE) / 0.02Lux(Sens-up) B/W: 0.1 Lux (50 IRE) / 0.001Lux(Sens-up)	Fan / Heater	Fan and heater (Outdoor Version only)
Luminance S/N ratio	> 50dB	Operating Temperature	Operating Range (Indoor) AC24V : 0°C ~ 50°C (32°F ~ 122°F) PoE+ : 0°C ~ 50°C (32°F ~ 122°F) Operating Range(Outdoor) AC24V : -40°C ~ 50°C (-40°F ~ 122°F) PoE+ : -10°C ~ 50°C (14°F ~ 122°F)
BLC	On (possible to designate zone) / Off		Certification
WDR	Support	Operating Humidity	Up to 85% RH (Non-condensing)
PAN / TILT		Mechanical	
Pan Rotation Angle	360° Endless Rotation	Material	Indoor ABS Outdoor Aluminum , Anti-vandal bubble (Poly Carbonate)
Pan Speed	Manual	Color	Ivory
	Preset	Dimension	Indoor: 180(Φ) x 240(H) mm Outdoor: 248(Φ) x 300(H) mm
Tilt Rotation Angle	-5° ~ 185°	Weight (Approx)	2.1kg (4.64 lbs) (Indoor) 4.6 kg (10.14 lbs) (Outdoor)
Tilt Speed	Manual	Video Content Analysis (Included as Standard)	
	Preset	High Performance	Advanced tracking algorithm and low false alarm rate
System Accuracy	Max. 0.1°(Accuracy) , 0.002° (Resolution)	Easy to Use	Intuitive web browser interface
Dome		Detection Zones	Multi-segment polygons and lines
Presets	255 positions with 15 character labels available for each position with different speed steps	On-screen Display	Real-time display of tracking data and events
Guard Tour	Max 6 Groups (Each one consisting of up to 64 steps)	Tamper Detection	Detect camera tampering
Auto Pan	Programmable Auto Scan	Event Message	Notification service via TCP/IP, UDP/IP, multicast or email text messages with snapshot
Pattern	8 Programmable Patterns (Total 600 seconds)		
Privacy Zone	8		
Auto Flip	On / OFF		
OSD menu	Yes (Sequence, ID, Time, PTZ Position, Preset Name)		
Serial Port	RS-485		
Network	10 / 100 Base-T		

RC 4202 / RC 4602 HD - 6416 - 20



... more than standard

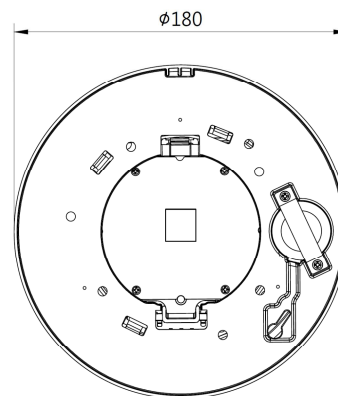
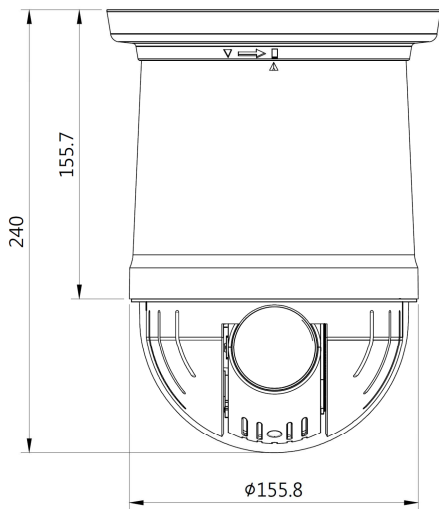
Video	
Compression Format	H.264, MJPEG
Number of Streams	Dual Stream, Configurable*
Resolution	1920x1080, 1280x720, 800x450, 480x270, 320x180
Compression FPS	Configurable up to 30 fps@1080p*
Motion Detection	Support (DSP)
Burnt-in Text (Digital)	Support (DSP)
Output	Analog video output for installation only
Audio	
Input	1 channel
Output	1 channel
Compression Format	G.711
Function	
Digital Input	4 channel
Digital Output	2 channel

Video Content Analysis (Option extension License)	
Available License	VCA-detectIP, VCA-countIP, VCA-accessIP, VCA-surveillanceIP, VCA-advancedIP
Info VCA	Refer to 'RIVA Analytic Product Matrix' document for detailed VCA filter information's

* When VCA is activated, only one camera stream will be available and frame rate is limited to 15fps@1080p. Limitations are based on V.1.3.0 firmware release and could be changed without notice.

Dimension (Unit: mm)

Indoor



Outdoor

