

Vision with Precision for HD Security

Sony introduces two powerful additions to its network HD Camera lineup, the SNC-CH140 and SNC-DH140. These dual-stream network HD cameras, supporting H.264, MPEG-4, and JPEG compression formats, deliver excellent picture quality in HD resolution*1 at 30 fps.

Incorporating the new Exmor™ CMOS image sensor from Sony, which is specially designed for security, plus state-of-the-art image-enhancement technologies such as View-DR which incorporates the latest in Wide D technology with Visibility Enhancer, and XDNR, these cameras can provide high quality HD images even under challenging backlit environments, as well as excellent sensitivity.

As a result, the SNC-CH140 Fixed Network Camera and the SNC-DH140 Mini Dome Network Camera are the ideal choice for even the most demanding surveillance monitoring applications.



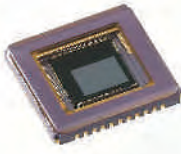
Network HD Cameras

SNC-CH140/DH140

Preliminary

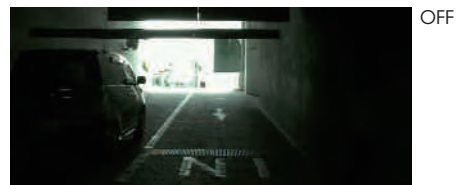
FEATURES

- Superb HD*1 picture quality, supporting H.264 at 30 fps **HD**
- Three codecs (JPEG/MPEG-4/H.264) and dual encoding
- The new Exmor CMOS sensor realizes high image quality and high sensitivity for surveillance
Exmor™
- **Easy Focus function/Easy Zoom function*2**
- DEPA™ Advanced - Intelligent Video and Audio Analytics - trigger an alarm based on user-defined rules.
 - ▶ Intelligent Motion Detection
 - ▶ Tamper Alarm
 - ▶ Advanced Audio Detection
- Power over Ethernet (PoE) capability
- CompactFlash™ slot for on-board recording – allows streaming of locally stored data using RTP/RTCP protocol for backup purposes or post-recording reviews*3
- ONVIF Conformance **ONVIF**
(Open Network Video Interface Forum)



Drastic Improvement of Visibility

- Superb dynamic range using newly developed View-DR (Visibility Enhanced Wide Dynamic Range)
View-DR



Actual Images

- XDNR (eXcellent Dynamic Noise Reduction) for clear images with reduced motion blur under low illumination



OFF

ON

Actual Images

*1 1280 x 720

*2 Easy Zoom function is available with the SNC-DH140 only

*3 Available with the SNC-CH140 only

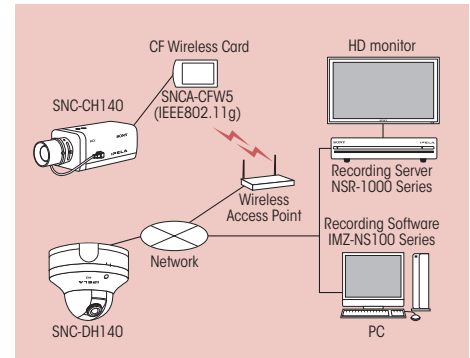
SPECIFICATIONS

	SNC-CH140	SNC-DH140
Camera		
Image device	1/3 type progressive scan CMOS	
Day/Night*1	Yes	
View-DR*2	Yes	
Visibility Enhancer	Yes	
XDNR	Yes	
Number of effective pixels (H x V)	Approx. 1.3 Megapixel	
Electronic shutter speed	1s to 1/10000s	
Auto gain control	Max gain setting LOW, MID, HIGH	
Exposure control	Auto, EV Compensation*3, Auto Slow Shutter*4	
White balance mode	Auto(ATW, ATW-Pro), Preset, One-push WB, Manual	
Lens type	CS Mount lens	Vari-focal lens
Zoom ratio	Approx. 2.7X	Approx. 2.9X
Horizontal viewing angle	34 to 89 degrees	31 to 87 degrees
Focal length	f=3.0 to 8.0mm	f=3.1 to 8.9mm
F-number	F1.2 (wide), F1.9 (tele)	F1.2 (Wide), F2.1 (Tele)
Easy Focus	Yes	
Easy Zoom	No	Yes
Image		
Codec image size (H x V)	1280 x 1024, 1280 x 800, 1280 x 720, 1024 x 768, 1024 x 576, 800 x 480, 768 x 576, 640 x 480, 640x 368, 384 x 288, 320 x 240, 320 x 192	
Video compression format	H.264, MPEG-4, JPEG	
Maximum frame rate	H264/MPEG-4: 30 fps (1280 x 720) JPEG: TBD (1280 x 720)	
Audio		
Audio compression	G.711/G.726	
Scene analytics		
Intelligent motion detection	Yes (with built-in Post Filter)	
Intelligent object detection	No	
Network		
Protocols	IPv4, IPv6, TCP, UDP, ARP, ICMP, IGMP, HTTP, HTTPS, FTP (client/server), SMTP, DHCP, DNS, NTP, RTP/RTCP, RTSP, SNMP (MIB-2)	
Wireless network	Yes (with optional*5)	No
Number of clients	10	
Authentication	IEEE802.1X	
Analog video output		
Signal system	NTSC/PAL	
S/N ratio	more than 50 dB	
Interface		
Ethernet	10BASE-T / 100BASE-TX (RJ-45)	
Serial interface	No	
Card slots	CF card x1	No
Analog video output	Composite video (1Vp-p)	
Sensor input	x 1	
Alarm output	x 2	
External microphone input	Mini-jack (monaural), MIC IN/LINE IN: 2.47VDC plug-in power	
Audio line output	Mini-jack (monaural), Max output level: 1 Vrms	
General		
Weight	Approx. 1 lb 9 oz (700 g)	Approx. 1 lb 16 oz (900 g)
Dimensions (W x H x D) (ø x H)	2 7/8 x 2 1/2 x 5 3/4 inches (72 x 63 x 145 mm)	5 5/8 x 4 3/4 inches (140 x 118 mm)
Power requirements	PoE, AC24V, DC12V	
Power consumption	10 W max.	7.7 W max.
Operating temperature	14 to 122 °F *6 (-10 to +50 °C)*6	14 to 122 °F *6 (-10 to +50 °C)*6
Storage temperature	-4 to 140 °F (-20 to +60 °C)	
System requirements		
Operating system	Windows® XP, Windows Vista™	
Processor	Intel Core2 Duo 2GHz or higher	
Memory	1GB or more	
Web browser	Microsoft Internet Explorer® Ver6.0, Ver7.0	

*1 Removable IR Cut Filter *2 New Wide-D algorithm plus Visibility Enhancer with Exmor CMOS sensor *3 Visibility Enhancer off mode only *4 View-DR off mode only
*5 With optional SNCA-CFW5 *6 Cold start temperature must be greater than 32°F (0°C)

This product includes software developed by the OpenSSL Project for use in the OpenSSL Toolkit. (<http://www.openssl.org/>)

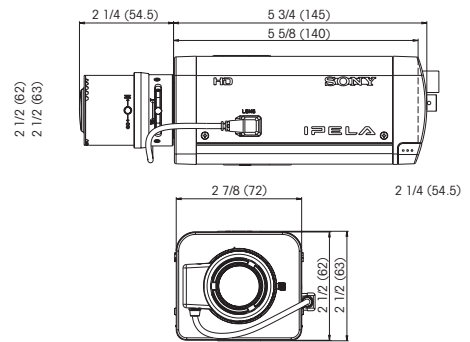
SYSTEM CONFIGURATIONS



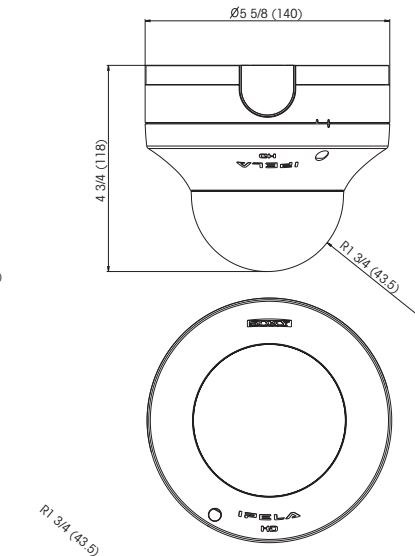
DIMENSIONS

Unit: inches (mm)

SNC-CH140



SNC-DH140



SONY