

# SN-B1302ZM-BM2

## 1080P Hybrid Analogue Bullet



- 1/2.9" Progressive Scan CMOS
- 2.8-12mm manual lens
- Max 30fps@1080P
- Video Transmission 300m
- IR Range up to 35m
- 3D DNR, dWDR, ICR, BLC, GLOBE, AWB, Privacy Masking, Motion Detection
- Support AHD/TVI/CVI/CVBS Output
- IP66

### System Overview

Eco series products support simplicity of using existing cabling infrastructure with HDVI. It features a compact design and high quality image. It's suitable for the scenes requires high definition image display such as finance, government, schools, shops, airports, factories and hotels and so on.

### Functions

#### 4 Signals over 1 Coaxial Cable

HDVI technology supports 4 signals to be transmitted over 1 coaxial cable simultaneously video data. Dual-way data transmission allows the HDVI camera to interact with the DVR, such as sending control signal or triggering alarm.

#### Long Distance Transmission

HDVI technology guarantees long-distance and real-time transmission without any loss. It supports up to 300m for 1080P Full HD video via coaxial cable.

#### Simplicity

HDVI technology inherits the born feature of simplicity from traditional analog surveillance system, making itself a best choice for investment protection. HDVI system can seamlessly upgrade the traditional analog system without replacing existing coaxial cabling. The plug and play approach enables full HD video surveillance without the hassle of configuring a network.

#### Environmental

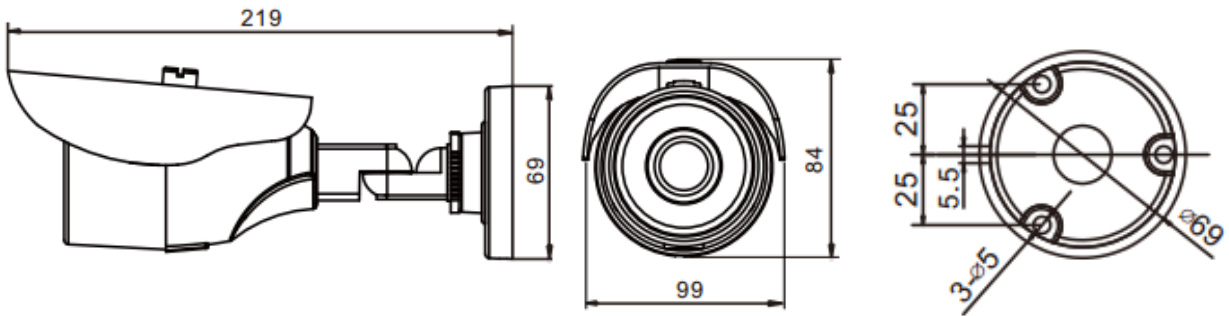
With a temperature range of -10 °C to +50 °C (14 °F to +131 °F). Subjected and certified to rigorous dust and water immersion tests, the IP66 rating makes it suitable for demanding outdoor applications.

# Technical Specification

Camera	
Image Sensor	1/2.9" Progressive Scan CMOS
Effective Pixels	1920(H) x 1080(V)
Scanning System	Progressive
Electronic Shutter	Auto, PAL:1/50-1/10000s, NTSC:1/60-1/10000s
Min. illumination	Color:0.01Lux@(F1.2,AGC ON) ; B/W:0Lux@(IR LED ON)
S/N Ratio	More than 48dB
IR Range	up to 35m
IR On/Off Control	Auto/Manual
IR LEDs	24pcs
OSD Joystick	Support
Up the Coax	Support
Pan/Tilt/Rotation Range	Pan:0°~360°; Tilt:0°~90°; Rotation:0°~360°
Lens	
Lens Type	Manual
Iris	Fixed Iris
Focal Length	2.8-12mm
F Number	F1.6
Angle of View	100°~35°
Focus Control	Manual
Close Focus Distance	0.2m
Video	
Resolution	1080P (1920x1080)
Frame Rate	PAL:25fps, NTSC:30fps
Video Output	AHD/TVI/CVI/CVBS
Day/Night	Ext / AUTO / Color / MONO
OSD Menu	Support

Wide Dynamic Range	dWDR, OFF/ON
Gain Control	Auto
Noise Reduction	3D DNR, AUTO/MANUAL(0-10)
White Balance	Auto/Manual
BLC	Support
Mirror	N/A
Motion Detection	Support
Privacy Masking	Support
General	
Power Supply	DC12V±10%
Power Consumption	Max. 4W (12V DC, IR ON)
Operating Temperature	-10 °C ~ 55 °C (14°F ~ 131 °F)
Operating Humidity	Less than 85% RH
Ingress Protection	IP66
Certifications	CE/FCC
Casing	Metal
Dimensions	219x99x84mm
Net Weight	520g

## Dimensions(mm)



## Accessories

Optional:



SN-CBK629A  
Junction Box



SN-BK319  
Junction Box